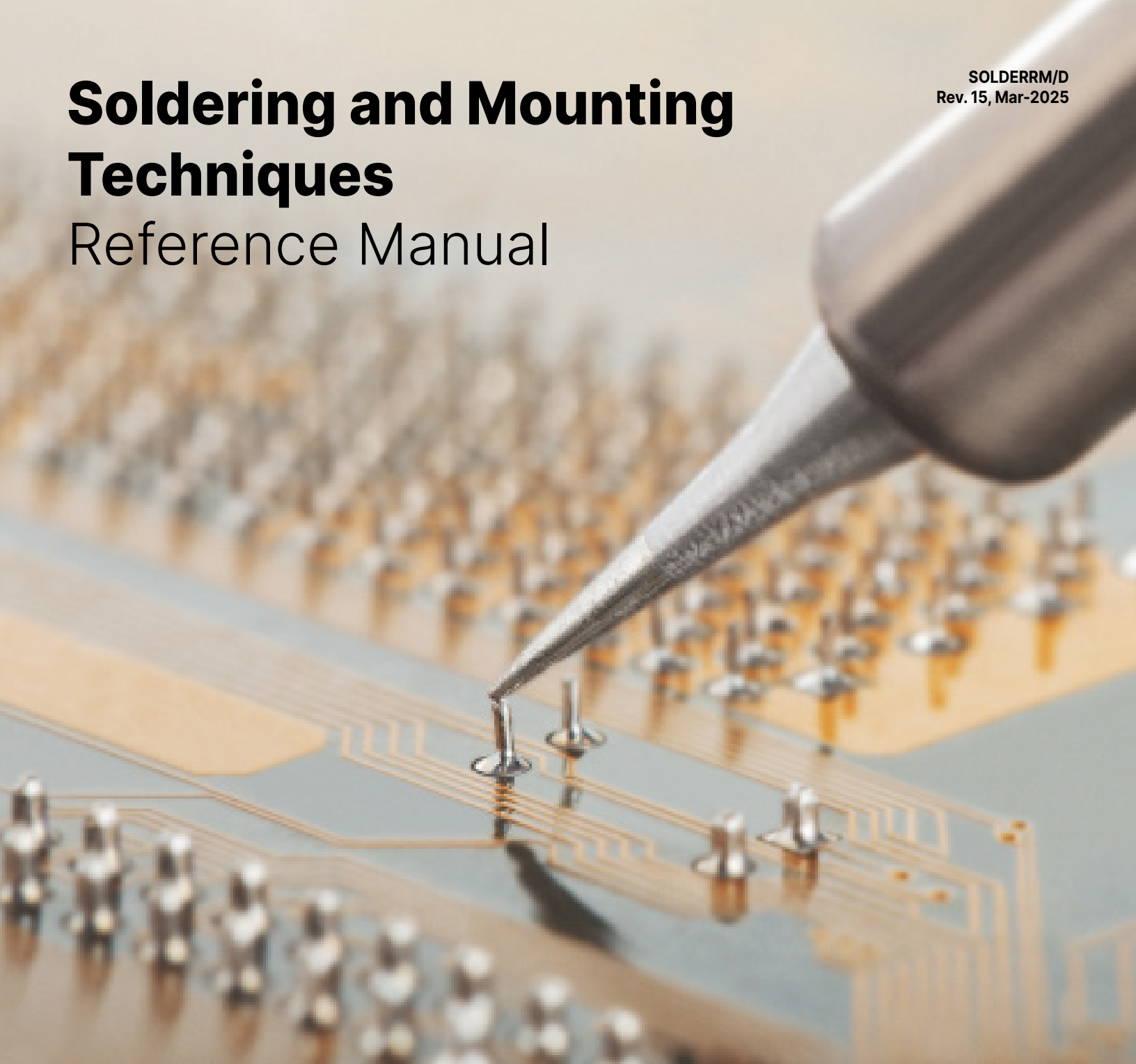


Soldering and Mounting Techniques

Reference Manual

SOLDERRM/D
Rev. 15, Mar-2025



Pushing innovation to create intelligent
power and sensing technologies that solve
the most challenging customer problems.

onsemi[™]

[onsemi.com](https://www.onsemi.com)

Soldering and Mounting Techniques

Reference Manual

SOLDERRM/D
Rev. 15, March–2025

© SCILLC, 2015
Previous Edition, 2023
“All Rights Reserved”

onsemi™

SOLDERRM

FULLPAK, MicroLeadless, MOSORB, MiniMOSORB, and POWERMAP are trademarks of Semiconductor Components Industries, LLC dba "onsemi" or its affiliates and/or subsidiaries in the United States and/or other countries. Cho-Therm is a registered trademark of Chromerics, Inc. Grafoil is a registered trademark of Union Carbide. Kapton is a registered trademark of du Pont de Nemours & Co., Inc. Kon-Dux and Rubber-Duc are trademarks of Aavid Thermal Technologies, Inc. PowerFLEX is a trademark of Texas Instruments Incorporated. Thermasil is a registered trademark and Thermafilm is a trademark of Thermalloy, Inc. Intel and Pentium are registered trademarks and Itanium is a trademark of Intel Corporation. ChipFET is a trademark of Vishay Siliconix. POWERMITE is a registered trademark of and used under a license from Microsemi Corporation.

onsemi, **Onsemi**, and other names, marks, and brands are registered and/or common law trademarks of Semiconductor Components Industries, LLC dba "onsemi" or its affiliates and/or subsidiaries in the United States and/or other countries. **onsemi** owns the rights to a number of patents, trademarks, copyrights, trade secrets, and other intellectual property. A listing of **onsemi**'s product/patent coverage may be accessed at www.onsemi.com/site/pdf/Patent-Marking.pdf. **onsemi** reserves the right to make changes at any time to any products or information herein, without notice. The information herein is provided "as-is" and **onsemi** makes no warranty, representation or guarantee regarding the accuracy of the information, product features, availability, functionality, or suitability of its products for any particular purpose, nor does **onsemi** assume any liability arising out of the application or use of any product or circuit, and specifically disclaims any and all liability, including without limitation special, consequential or incidental damages. Buyer is responsible for its products and applications using **onsemi** products, including compliance with all laws, regulations and safety requirements or standards, regardless of any support or applications information provided by **onsemi**. "Typical" parameters which may be provided in **onsemi** data sheets and/or specifications can and do vary in different applications and actual performance may vary over time. All operating parameters, including "Typicals" must be validated for each customer application by customer's technical experts. **onsemi** does not convey any license under any of its intellectual property rights nor the rights of others. **onsemi** products are not designed, intended, or authorized for use as a critical component in life support systems or any FDA Class 3 medical devices or medical devices with a same or similar classification in a foreign jurisdiction or any devices intended for implantation in the human body. Should Buyer purchase or use **onsemi** products for any such unintended or unauthorized application, Buyer shall indemnify and hold **onsemi** and its officers, employees, subsidiaries, affiliates, and distributors harmless against all claims, costs, damages, and expenses, and reasonable attorney fees arising out of, directly or indirectly, any claim of personal injury or death associated with such unintended or unauthorized use, even if such claim alleges that **onsemi** was negligent regarding the design or manufacture of the part. **onsemi** is an Equal Opportunity/Affirmative Action Employer. This literature is subject to all applicable copyright laws and is not for resale in any manner.

ADDITIONAL INFORMATION

TECHNICAL PUBLICATIONS:

Technical Library: www.onsemi.com/design/resources/technical-documentation
onsemi Website: www.onsemi.com

ONLINE SUPPORT: www.onsemi.com/support

For additional information, please contact your local Sales Representative at www.onsemi.com/support/sales

Table of Contents

	Page
Section 1:	
General Pb (Lead) Free Lead Finish/Plating Strategy	4
Section 2:	
Soldering/Mounting Techniques	7
Soldering Considerations for Surface Mount Packages	8
Board Level Application Notes for DFN and QFN Packages	12
Mounting Considerations for Power Semiconductors	17
Soldering Image Sensors into Printed Circuit Boards	46
How to Store, Reflow and Solder onsemi Hybrids	48
Section 3:	
Handling of Semiconductor Packages	59
Section 4:	
Semiconductor Package Reliability and Quality	65
Section 5:	
Device Rework / Removal	81

Section 1

General Pb (Lead) Free Lead Finish/
Plating Strategy

General Pb (Lead) Free Lead Finish/Plating Strategy

In order to provide maximum flexibility and convenience for our customers, **onsemi** is modifying its strategy to support the Pb-free global initiatives from the previous General Announcement #12770.

Pb-free Plating Strategy – **onsemi** now offers a portfolio of devices that are plated with Pb-free lead finishes. Many of our products were originally released as Pb-free and do not have a comparable leaded version available. For devices which have been Pb-free since their inception, we do not intend to introduce any new Pb-containing lead finish versions of those devices.

For those customers that choose not to convert to our Pb-free offering according to our conversion plan, **onsemi** will continue to offer the current Pb containing devices until business conditions no longer prove feasible. We are committed to meeting the needs of all of our customers as our industry transitions to Pb-free over the next couple of years.

onsemi has qualified the majority of our packages in the Pb-free version and have made them available for sampling and production ordering.

onsemi is fully compliant with the RoHS directive for all of the parts for which it makes business sense to do so. In other words, **onsemi** offers Pb-free versions of all of the parts for which there is sufficient demand. We will also continue to offer all of these parts in a standard Tin-Lead (SnPb) lead finish until market conditions necessitate a change in direction.

Moisture Sensitivity Level (MSL) – Surface Mount Packages are qualified to 260°C, which is compliant to the JEDEC standard J-STD-020. The majority of the MSL ratings will remain unchanged from the current MSL 1 classification. If there is a change in the MSL rating of a package, the customer will be notified and appropriate packing precautions will be taken before any product is shipped by **onsemi**.

Product Identification – Devices offered without a Pb containing lead finish will be concatenated with a “G” suffix to denote Pb-free lead finish and qualified compatibility with Pb-free board mount assembly processing. Existing packages that are currently offered

solely with a Pb-free finish will also change part numbers. This is intended to clearly identify parts that are Pb-free and qualified for compatibility with Pb-free board mount assembly processing. The MPN (Manufacturer Part Number) bar code label on the reel, tube or rail, and the intermediate boxes will have the “Pb-free 2LI” logo printed on those labels compliant to JEDEC standard JESD97. Pb-free products may also be identified by unique product marking. Pb-free products are marked with a G suffix to the part number on the package. However, if the package is too small to include the additional G character, the Pb-free package will be marked with a micro dot.

Qualification Plan:

The qualification requirements for Pb-free external lead finish differ for surface-mount device (SMD) or through-hole devices (THD).

For the THDs the primary qualification requirement is to demonstrate forward compatibility with new Pb-free solder pastes (based on SnCuAg). The tests performed typically include:

- Solderability with SnCuAg solder
- Resistance to Solder Heat

For the SMDs reclassification of the moisture sensitivity level (MSL) at a peak reflow temperature of 260°C is required in addition to solderability validation. The MSL reclassification is performed on the largest die size that is used in the package. The tests performed typically include:

- Preconditioned Highly Accelerated Stress Testing (PC-HAST) – 96 hours minimum
- Preconditioned Autoclave (PC-AC) – 96 hours minimum
- Preconditioned Temperature Cycling (PC-TC) – 500 cycles minimum
- (Preconditioning is performed at the target MSL for 260 +5/-0°C)
- Solderability with SnCuAg solder
- Resistance to Solder Heat (RSH – Solder Immersion)

SOLDERRM

Backward Compatibility

Backward compatibility is the capability for our customers to take one of our Pb-free products, mount it on their PC board and reflow it using solder containing lead (Pb). **onsemi** has conducted reflow tests of Pb-free parts using leaded solder reflow temperatures and processes to simulate this condition. Tests have been conducted at 210 to 230°C and results show that there will not be solderability issues.

Please Note: This does not apply to BGA, bumped die or Flip-Chip devices. If the parts are Pb-free they need to use a Pb-free reflow process.

Points of Contact:

- Your Local **onsemi** Sales Representative
- **onsemi** Technical Information Center
1-800-282-9855 (US & Canada) or via web at
<http://www.onsemi.com/tech-support>
- <http://www.onsemi.com/pb-free>

Section 2

Soldering / Mounting Techniques

Soldering Considerations for Surface Mount Packages

RECOMMENDED FOOTPRINTS FOR SURFACE MOUNTED APPLICATIONS

Surface mount board layout is a critical portion of the total design. The footprint for the semiconductor packages must be the correct size to ensure proper solder connection

interface between the board and the package. With the correct pad geometry, the packages will self align when subjected to a solder reflow process.

POWER DISSIPATION FOR A SURFACE MOUNT DEVICE

The power dissipation for a surface mount device is a function of the drain/collector pad size. These can vary from the minimum pad size for soldering to a pad size given for maximum power dissipation. Power dissipation for a surface mount device is determined by $T_{J(max)}$, the maximum rated junction temperature of the die, $R_{\theta JA}$, the thermal resistance from the device junction to ambient, and the operating ambient temperature, T_A . Using the values provided on the data sheet, P_D can be calculated as follows:

$$P_D = \frac{T_{J(max)} - T_A}{R_{\theta JA}}$$

The values for the equation are found in the maximum ratings table on the data sheet. Substituting these values into the equation for an ambient temperature T_A of 25°C, one can calculate the power dissipation of the device. For example, for a SOT-223 device, P_D is calculated as follows.

$$P_D = \frac{150^\circ\text{C} - 25^\circ\text{C}}{156^\circ\text{C/W}} = 800 \text{ milliwatts}$$

The 156°C/W for the SOT-223 package assumes the use of the recommended footprint on a glass epoxy printed circuit board to achieve a power dissipation of 800 milliwatts. There are other alternatives to achieving higher power dissipation from the surface mount packages. One is to increase the area of the drain/collector pad. By increasing the area of the drain/collector pad, the power dissipation can be increased. Although the power dissipation can almost be doubled with this method, area is taken up on the printed circuit board which can defeat the purpose of using surface mount technology. For example, a graph of $R_{\theta JA}$ versus drain pad area is shown in Figures 1, 2 and 3.

Another alternative would be to use a ceramic substrate or an aluminum core board such as Thermal Clad™. Using a board material such as Thermal Clad, an aluminum core board, the power dissipation can be doubled using the same footprint.

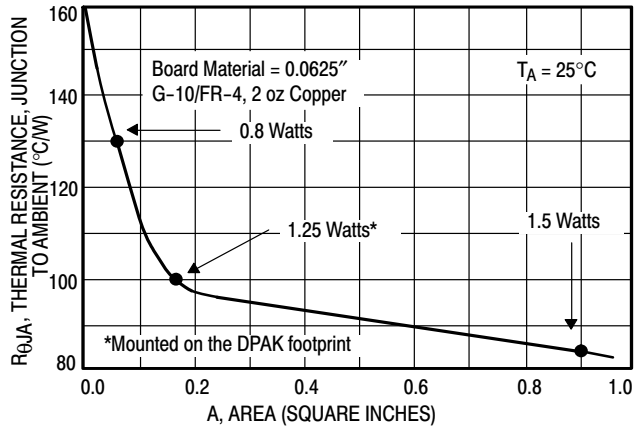


Figure 1. Thermal Resistance versus Drain Pad Area for the SOT-223 Package (Typical)

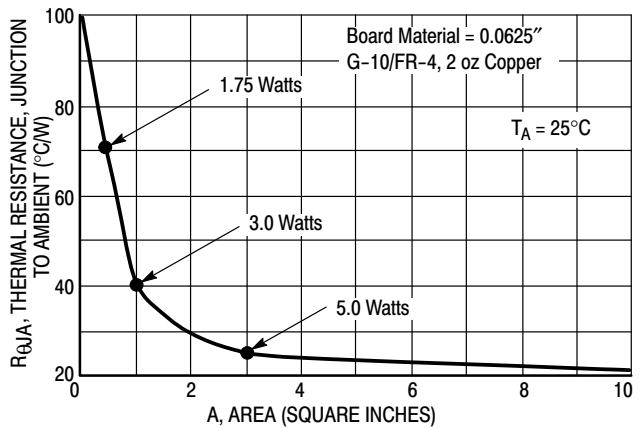


Figure 2. Thermal Resistance versus Drain Pad Area for the DPAK Package (Typical)

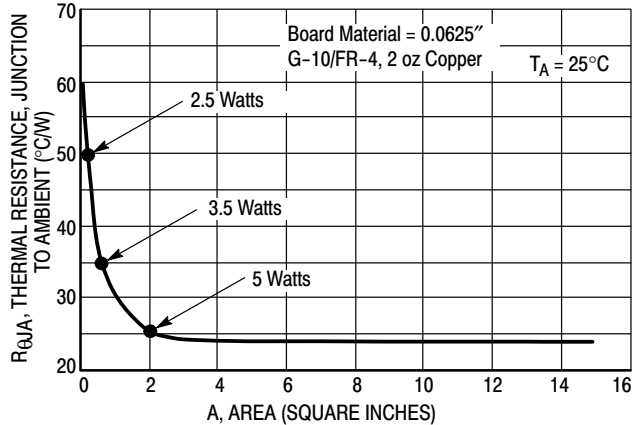


Figure 3. Thermal Resistance versus Drain Pad Area for the D²PAK Package (Typical)

SOLDER STENCIL GUIDELINES

Prior to placing surface mount components onto a printed circuit board, solder paste must be applied to the pads. Solder stencils are used to screen the optimum amount. These stencils are typically 0.008 inches thick and may be made of brass or stainless steel. For packages such as the SC-59, SC-70/SOT-323, SOD-123, SOT-23, SOT-143, SOT-223, SO-8, SO-14, SO-16, and SMB/SMC diode packages, the stencil opening should be the same as the pad size or a 1:1 registration. This is not the case with the DPAK and D²PAK packages. If a 1:1 opening is used to screen solder onto the drain pad, misalignment and/or “tombstoning” may occur due to an excess of solder. For these two packages, the opening in the stencil for the paste should be approximately 50% of the tab area. The opening for the leads is still a 1:1 registration. Figure 4 shows a typical stencil for the DPAK and D²PAK packages. The

pattern of the opening in the stencil for the drain pad is not critical as long as it allows approximately 50% of the pad to be covered with paste.

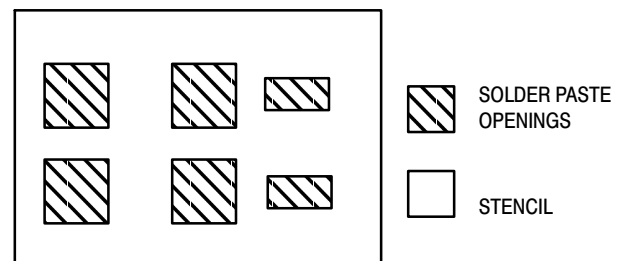


Figure 4. Typical Stencil for DPAK and D²PAK Packages

SOLDERING PRECAUTIONS

The melting temperature of solder is higher than the rated temperature of the device. When the entire device is heated to a high temperature, failure to complete soldering within a short time could result in device failure. Therefore, the following items should always be observed in order to minimize the thermal stress to which the devices are subjected.

- Always preheat the device.
- The delta temperature between the preheat and soldering should be 100°C or less.*
- When preheating and soldering, the temperature of the leads and the case must not exceed the maximum temperature ratings as shown on the data sheet. When using infrared heating with the reflow soldering method, the difference should be a maximum of 10°C.
- The soldering temperature and time should not exceed 260°C for more than 10 seconds.
- When shifting from preheating to soldering, the maximum temperature gradient shall be 5°C or less.

- After soldering has been completed, the device should be allowed to cool naturally for at least three minutes. Gradual cooling should be used since the use of forced cooling will increase the temperature gradient and will result in latent failure due to mechanical stress.
- Mechanical stress or shock should not be applied during cooling.

* Soldering a device without preheating can cause excessive thermal shock and stress which can result in damage to the device.

* Due to shadowing and the inability to set the wave height to incorporate other surface mount components, the D²PAK is not recommended for wave soldering.

TYPICAL SOLDER HEATING PROFILE

For any given circuit board, there will be a group of control settings that will give the desired heat pattern. The operator must set temperatures for several heating zones and a figure for belt speed. Taken together, these control settings make up a heating “profile” for that particular circuit board. On machines controlled by a computer, the computer remembers these profiles from one operating session to the next. Figure 5 shows a typical heating profile for use when soldering a surface mount device to a printed circuit board. This profile will vary among soldering systems, but it is a good starting point. Factors that can affect the profile include the type of soldering system in use, density and types of components on the board, type of solder used, and the type of board or substrate material being used. This profile shows temperature versus time. The line on the graph shows the

actual temperature that might be experienced on the surface of a test board at or near a central solder joint. The two profiles are based on a high density and a low density board. The Vitronics SMD310 convection/infrared reflow soldering system was used to generate this profile. The type of solder used was 62/36/2 Tin Lead Silver with a melting point between 177–189°C. When this type of furnace is used for solder reflow work, the circuit boards and solder joints tend to heat first. The components on the board are then heated by conduction. The circuit board, because it has a large surface area, absorbs the thermal energy more efficiently, then distributes this energy to the components. Because of this effect, the main body of a component may be up to 30 degrees cooler than the adjacent solder joints.

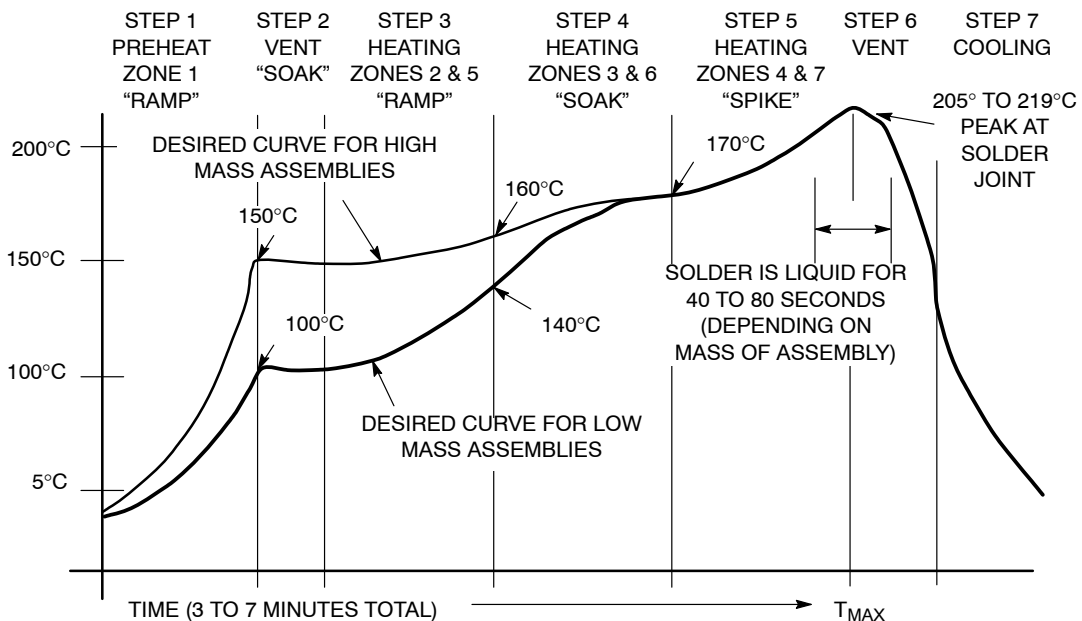


Figure 5. Typical Tin Lead (SnPb) Solder Heating Profile

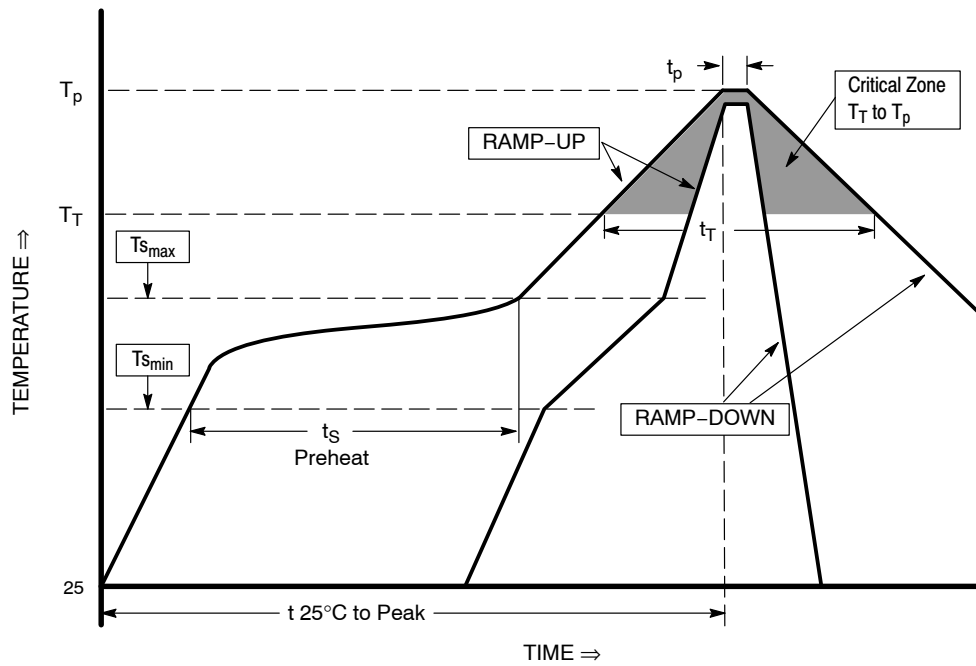


Figure 6. Typical Pb-Free Solder Heating Profile

Profile Feature	Pb-Free Assembly
Average Ramp-Up Rate ($T_{s_{max}}$ to T_p)	3°C/second max
Preheat Temperature Min ($T_{s_{min}}$) Temperature Max ($T_{s_{max}}$) Time ($t_{s_{min}}$ to $t_{s_{max}}$)	150°C 200°C 60–180 seconds
Time maintained above Temperature (T_T) Time (t_T)	217°C 60–150 seconds
Peak Classification Temperature (T_p)	260°C +5/-0
Time within 5°C of actual Peak Temperature (t_p)	20–40 seconds
Ramp-Down Rate	6°C/second max
Time 25°C to Peak Temperature	8 minutes max

Board Level Application Notes for DFN and QFN Packages

AND8211/D

INTRODUCTION

Various onsemi components are packaged in an advanced Dual or Quad Flat-Pack No-Lead package (DFN/QFN). The DFN/QFN platform represents the latest in surface mount packaging technology. It is important to follow the suggested board mounting guidelines outlined in this document. These guidelines include printed circuit board mounting pads, solder mask and stencil pattern and assembly process parameters.

DFN/QFN Package Overview

The DFN/QFN platform offers a versatility which allows either a single or multiple semiconductor devices to be connected together within a leadless package. This packaging flexibility is illustrated in Figure 7 where three devices are packaged together with a custom pad configuration in a QFN.

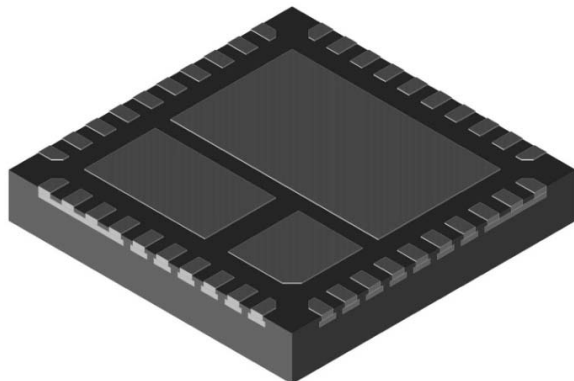


Figure 7. Underside of a Three-Chip 40 Pin QFN Package

Figure 8 illustrates a DFN semiconductor device package which allows for a single device.

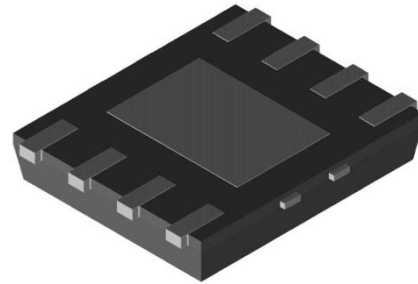


Figure 8. Underside of a Single-Chip 8 Pin DFN Package

Figure 9 illustrates how the package height is reduced to a minimum by having both the die and wirebond pads on the same plane. When mounted, the leads are directly attached to the board without a space-consuming standoff, which is inherent in a leaded package.

Figure 9 also illustrates how the ends of the leads are flush with the edge of the package. This configuration allows for maximizing the board space efficiency.

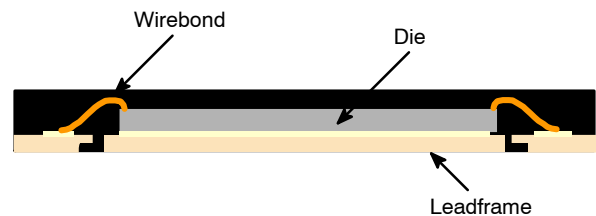


Figure 9. Cross-Section of a Single-Chip DFN Package

In addition to these features, the DFN/QFN package has excellent thermal dissipation and reduced electrical parasitics due to its efficient and compact design.

DFN/QFN Board Mounting Process

The DFN/QFN board mounting process can be optimized by first defining and controlling the following:

1. PCB solder pad design.
2. PCB solder mask design.
3. Solderable metallization on PCB pads.
4. Solder screening onto PCB pads.
5. Choice of solder paste.
6. Package placement.
7. Reflow of the solder paste.
8. Final inspection of the solder joints.

Recommendations for each of these items are included in this application note.

Printed Circuit Board Solder Pad Design Guidelines

Refer to the case outline (specification sheet) drawing for the specific DFN/QFN package to be mounted. Based on the case outline's "nominal" package footprint dimensions, the PCB mounting pads need to be larger than the nominal package footprint (See Figure 10).

Note: On the occasion that there is not enough board space to grow the PCB mounting pads per these guidelines, the recommendation would be to come as close to these guidelines as possible.

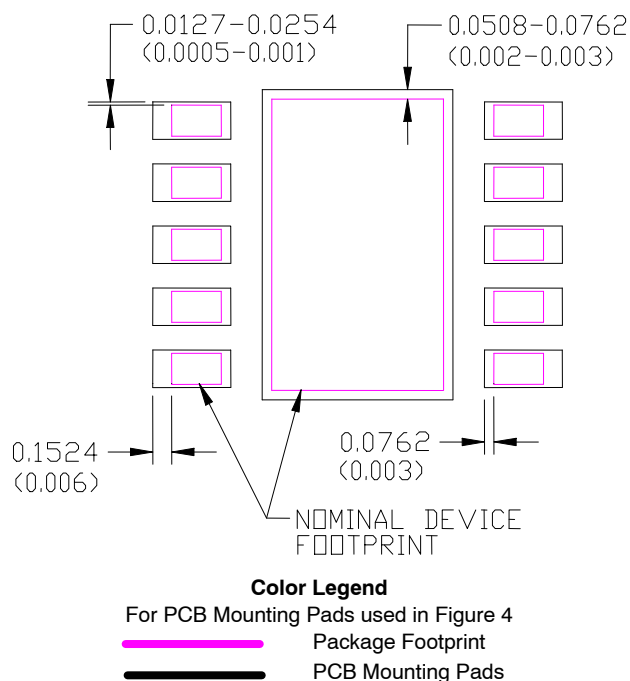


Figure 10. 10 Pin DFN Package Footprint Shown with PCB Mounting Pads

Printed Circuit Board Solder Mask Design Guidelines

SMD and NSMD Pad Configurations

Two types of PCB solder mask openings commonly used for surface mount leadless style packages are:

1. Non Solder Masked Defined (NSMD)
2. Solder Masked Defined (SMD)

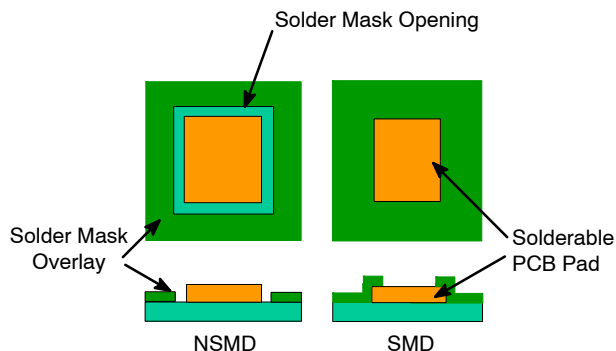


Figure 11. Comparison of NSMD vs. SMD Pads

As their titles describe, the NSMD contact pads have the solder mask pulled away from the solderable metallization, while the SMD pads have the solder mask over the edge of the metallization, as shown in Figure 11. With the SMD Pads, the solder mask restricts the flow of solder paste on the top of the metallization which prevents the solder from flowing along the side of the metal pad. This is different from the NSMD configuration where the solder will flow around both the top and the sides of the metallization.

Typically, the NSMD pads are preferred over the SMD configuration since defining the location and size of the copper pad is easier to control than the solder mask. This is based on the fact that the copper etching process is capable of a tighter tolerance than the solder masking process. This also allows for visual inspection of solder fillet.

In addition, the SMD pads will inherently create a stress concentration point where the solder wets to the pad on top of the lead. This stress concentration point is reduced when the solder is allowed to flow down the sides of the leads in the NSMD configuration.

When dimensionally possible, the solder mask should be located within a range of 0.0762–0.1270 mm (0.003–0.005 in) away from the edge of the PCB mounting pad (See Figure 12). This spacing is used to compensate for the registration tolerances of the solder mask process, as well as to insure that the solder is not inhibited by the mask as it reflows along the sides of the metal pad.

SOLDERRM

The solder mask web (between openings) is the controlling factor in the pattern, and needs to be held to a minimum of 0.1016 mm (0.004 in). This minimum is the current PCB suppliers standard minimum web for manufacturability. Because of this web restriction, solder mask openings around PCB pads may need to be less than the recommended around shown. Whenever possible, keeping to the range given will provide for the best results.

Due to ever shrinking packages with finer pitches between mounting pads, a solder mask web may not be possible. It may be necessary to have a single solder mask window opening around the package without solder mask web between mounting pads. When this occurs, care must be taken to control the solder during reflow. Where the web aided in controlling the solder, in its absence, solder may bridge between mounting pads causing shorts.

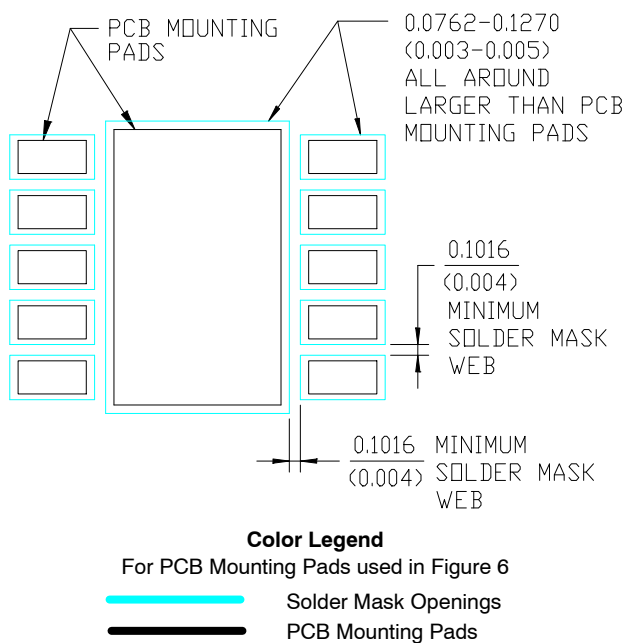


Figure 12. Typical DFN Package – PCB Mounting Pads Shown with Solder Mask Openings (NSMD)

PCB Solderable Metallization

There are currently three common solderable coatings which are used for PCB surface mount devices – OSP, ENiAu and HASL. In any case, it is imperative that the coating is uniform, conforming, and free of impurities to insure a consistent solderable system.

The first coating consists of an Organic Solderability Protectant (OSP) applied over the bare copper feature. OSP coating assists in reducing oxidation in order to preserve the

copper metallization for soldering. It allows for multiple passes through reflow ovens without degradation of the solderability. The OSP coating is dissolved by the flux when the solder paste is applied to the metal features. Coating thickness recommended by OSP manufacturers is between 0.25 and 0.35 microns.

The second coating is plated electroless nickel/immersion gold over the copper pad. The thickness of the electroless nickel layer is determined by the allowable internal material stresses and the temperature excursions the board will be subjected to throughout its lifetime. Even though the gold metallization is typically a self-limiting process, the thickness should be at least 0.05 microns thick, but not consist of more than 5% of the overall solder volume. Excessive gold in the solder joint can create gold embrittlement. This may affect the reliability of the joint.

The third PCB pad protective coating option is Hot Air Solder Level (HASL); SnPb. Since the HASL process is not capable of producing solder joints with consistent height, this pad finish is not recommended for DFN/QFN type packages. Inconsistent solder deposition results in dome-shaped pads of varying height. As the industry moves to finer and finer pitch, solder bridging between mounting pads becomes a common problem with this coating.

Solder Screening onto the PCB

Stencil screening the solder paste onto the PCB is commonly used in the industry. The recommended stencil thickness used is 0.075 mm to 0.127 mm (0.003 in to 0.005 in). The sidewalls of the stencil openings should be tapered approximately 5° along with an electro-polish finish to aid in the release of the paste when the stencil is removed from the PCB.

On a typical 0.5 mm pitch or larger DFN/QFN the stencil opening for the perimeter pattern should be the same size as the PCB mounting Pad. The center stencil opening for the center mounting pad(s) should allow for 70-80% coverage of the center mounting pad(s). (See Figure 13.) Dividing the larger die pads into smaller screen openings reduces the risk of solder voiding and allows the solder joints for the smaller terminal pads to be at the same height as the larger ones.

On less than a 0.5 mm pitch DFN/QFN the stencil opening for the perimeter pattern should be the same size as the device nominal footprint. The center stencil opening for the center mounting pad(s) should allow for 60-70% coverage of the center mounting pad(s). (See Figure 14.) Dividing the larger die pads into smaller screen openings reduces the risk of solder voiding and allows the solder joints for the smaller terminal pads to be at the same height as the larger ones.

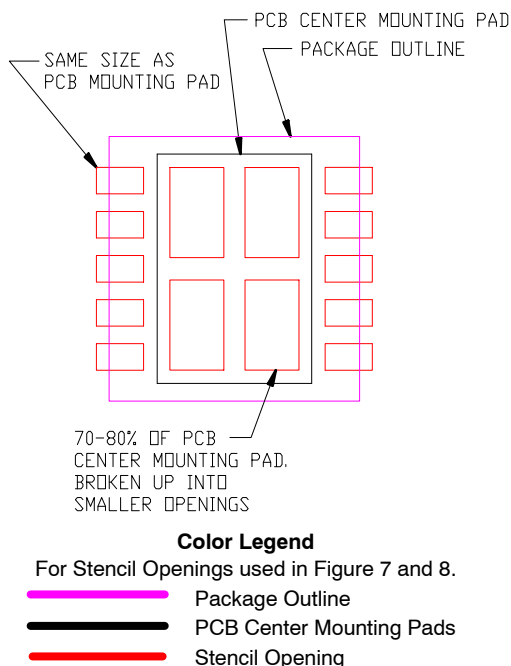


Figure 13. Typical for 0.5 mm Pitch or Greater DFN/QFN Package with Stencil Openings Shown Over PCB Mounting Pads

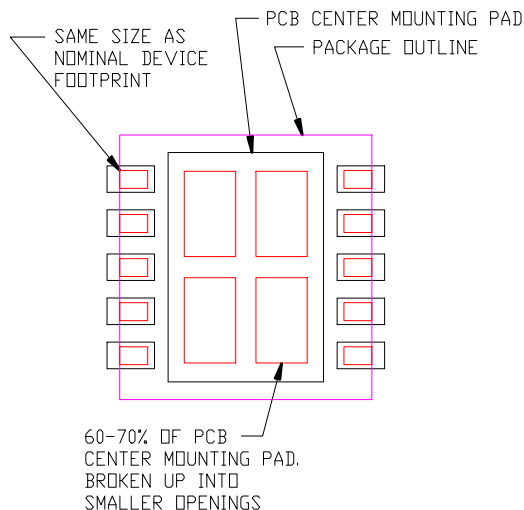


Figure 14. Typical Less than 0.5 mm Pitch DFN/QFN Package with Stencil Openings Shown Over PCB Mounting Pads

Solder Paste

Solder paste such as Cookson Electronics’ WS3060 with a Type 3 or smaller sphere size is recommended. The WS3060 has a water-soluble flux for cleaning. Cookson Electronics’ PNC0106A can be used if a no-clean flux is preferred.

Package Placement onto the PCB

An automated pick and place procedure with magnification is recommended for component placement

since the pads are on the underside of these packages. A dual image optical system enables alignment of the underside of the package to the PCB and should be used. Pick and place equipment with the standard tolerance of ± 0.05 mm (0.002 in) or better is recommended. Once placed onto the board, the package self-aligns during the reflow process due to surface tension of the solder.

Solder Reflow

Once the component is placed on the PCB, a standard surface mount reflow process can be used to mount the part. Figures 15 and 16 are examples of typical reflow profiles for lead free and standard eutectic tin lead solder alloys, respectively.

The preferred profile is provided by the solder paste manufacturer and is dictated by variations in chemistry and viscosity of the flux matrix in the solder paste. These variations may require small adjustments to the profile for process optimization.

In general, the temperature of the part should increase by less than $2^{\circ}\text{C}/\text{sec}$ during the initial stages of reflow. The soak zone occurs at approximately 150°C and should last for 60 to 180 seconds for lead free profiles (30–120 sec for eutectic tin lead profiles). Typically, extending the length of time in the soak zone reduces the risk of voiding within the solder. The temperature is then increased. Time above the liquidus of the solder is limited to 60 to 150 seconds for lead free profiles (30–100 sec for eutectic tin lead profiles) depending on the mass of the board. The peak temperature of the profile should be between 245°C and 260°C for lead free solder alloys (205°C and 225°C for eutectic tin lead solders).

If required, removal of the residual solder flux can be done using the recommended procedures set forth by the flux manufacturer.

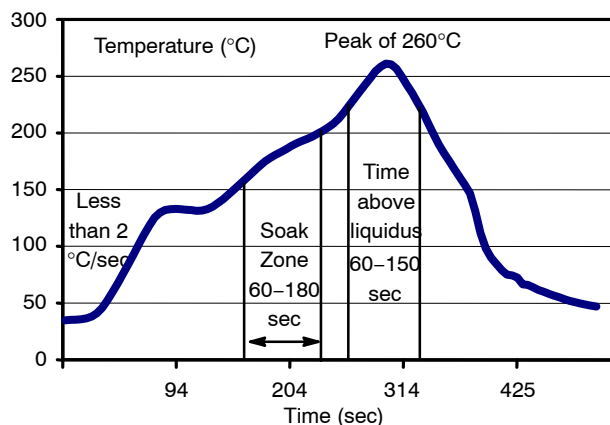


Figure 15. Typical Reflow Profile for Lead Free Solder

SOLDERRM

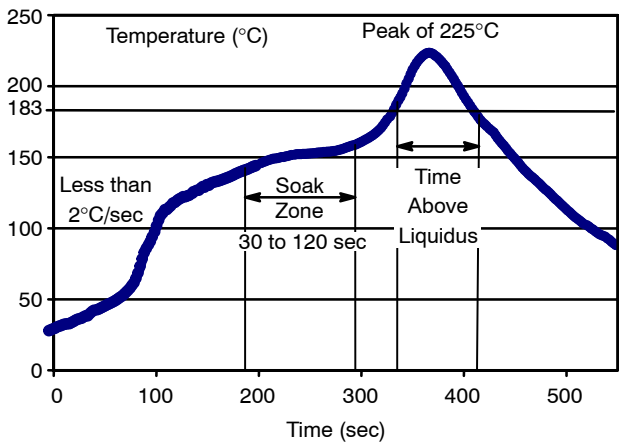


Figure 16. Typical Reflow Profile for Eutectic Tin / Lead Solder

Final Solder Inspection

Solder joint integrity is determined by using an X-ray inspection system. With this tool, defects such as shorts between pads, open contacts, and voids within the solder and extraneous solder can be identified. In addition, the mounted device should be rotated on its side to inspect the side of the solder joints for acceptable solder joint shape and stand-off height. The solder joints should have enough solder volume and stand-off height so that an “Hour Glass” shaped connection is not formed as shown in Figure 17. “Hour Glass” solder joints are a reliability concern and should be avoided.

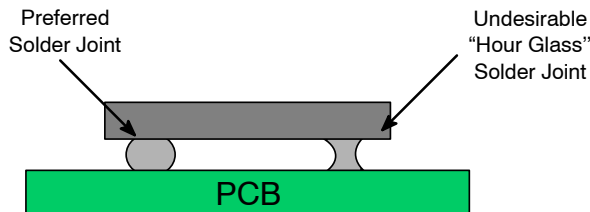


Figure 17. Illustration of Preferred and Undesirable Solder Joints

Rework Procedure

Since the DFN/QFN’s are leadless devices, the package must be removed from the PCB if there is an issue with the solder joints.

Standard SMT rework systems are recommended for this procedure since airflow and temperature gradients can be carefully controlled. It is also recommended that the PCB be placed in an oven at 125°C for 4 to 8 hours prior to package removal to remove excess moisture from the packages. In order to control the region which will be exposed to reflow temperatures, the PCB should be heated to 100°C by conduction through the backside of the board in the location of the device. Typically, heating nozzles are then used to increase the temperature locally and minimize any chance of overheating neighboring devices in close proximity.

Once the device’s solder joints are heated above their liquidus temperature, the package is quickly removed and the pads on the PCB are cleaned. The cleaning of the pads is typically performed with a blade-style conductive tool with a de-soldering braid. A no clean flux is used during this process in order to simplify the procedure.

Solder paste is then deposited or screened onto the site in preparation of mounting a new device. Due to the close proximity of the neighboring packages in most PCB configurations, a miniature stencil for the individual component is typically required. The same stencil design that was originally used to mount the package can be applied to this new stencil for redressing the pads.

Due to the small pad configurations of the DFN/QFN, and since the pads are on the underside of the package, a manual pick and place procedure with the aid of magnification is recommended. A system with the same capabilities as described in the **Package Placement** section should be used.

Remounting the component onto the PCB can be accomplished by either passing it through the original reflow profile, or by selectively heating the specific region on the PCB using the same process used to remove the defective package. The benefit of subjecting the entire PCB to a second reflow is that the new part will be mounted consistently using a previously defined profile. The disadvantage is that all of the other soldered device will be reflowed a second time. If subjecting all of the parts to a second reflow is either a concern or unacceptable for a specific application, then the localized reflow option is the recommended procedure.

Optimal board mounting results can be achieved by following these suggested guidelines.

Mounting Considerations For Power Semiconductors AN1040/D

Prepared by: Bill Roehr

INTRODUCTION

Current and power ratings of semiconductors are inseparably linked to their thermal environment. Except for lead-mounted parts used at low currents, a heat exchanger is required to prevent the junction temperature from exceeding its rated limit, thereby running the risk of a high failure rate. Furthermore, the semiconductor industry's field history indicated that the failure rate of most silicon semiconductors decreases approximately by one-half for a decrease in junction temperature from 160°C to 135°C.⁽¹⁾ Guidelines for designers of military power supplies impose a 110°C limit upon junction temperature.⁽²⁾ Proper mounting minimizes the temperature gradient between the semiconductor case and the heat exchanger.

Most early life field failures of power semiconductors can be traced to faulty mounting procedures. With metal packaged devices, faulty mounting generally causes unnecessarily high junction temperature, resulting in reduced component lifetime, although mechanical damage has occurred on occasion from improperly mounting to a warped surface. With the widespread use of various plastic-packaged semiconductors, the prospect of mechanical damage is very significant. Mechanical damage can impair the case moisture resistance or crack the semiconductor die.

Figure 18 shows an example of doing nearly everything wrong. A tab mount TO-220 package is shown being used as a replacement for a TO-213AA (TO-66) part which was socket mounted. To use the socket, the leads are bent – an operation which, if not properly done, can crack the package, break the internal bonding wires, or crack the die. The package is fastened with a sheet-metal screw through a 1/4" hole containing a fiber-insulating sleeve. The force used to tighten the screw tends to pull the package into the hole, possibly causing enough distortion to crack the die. In addition, the contact area is small because of the area consumed by the large hole and the bowing of the package;

the result is a much higher junction temperature than expected. If a rough heatsink surface and/or burrs around the hole were displayed in the illustration, most but not all, poor mounting practices would be covered.

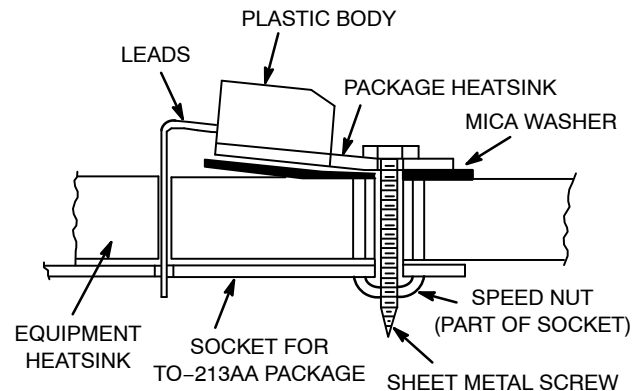


Figure 18. Extreme Case of Improperly Mounting a Semiconductor (Distortion Exaggerated)

In many situations, the case of the semiconductor must be electrically isolated from its mounting surface. The isolation material is, to some extent, a thermal isolator as well, which raises junction operating temperatures. In addition, the possibility of arc-over problems is introduced if high voltages are present. Various regulating agencies also impose creepage distance specifications which further complicates design. Electrical isolation thus places additional demands upon the mounting procedure.

Proper mounting procedures usually necessitate orderly attention to the following:

1. Preparing the mounting surface
2. Applying a thermal grease (if required)
3. Installing the insulator (if electrical isolation is desired)
4. Fastening the assembly
5. Connecting the terminals to the circuit

SOLDERRM

In this note, mounting procedures are discussed in general terms for several generic classes of packages. As newer packages are developed, it is probable that they will fit into the generic classes discussed in this note. Unique requirements are given on data sheets pertaining to the particular package. The following classes are defined:

- Stud Mount
- Flange Mount
- Pressfit
- Plastic Body Mount
- Tab Mount
- Surface Mount

Appendix A contains a brief review of thermal resistance concepts. Appendix B discusses measurement difficulties with interface thermal resistance tests. Appendix C indicates the type of accessories supplied by a number of manufacturers.

MOUNTING SURFACE PREPARATION

In general, the heatsink mounting surface should have a flatness and finish comparable to that of the semiconductor package. In lower power applications, the heatsink surface is satisfactory if it appears flat against a straight edge and is free from deep scratches. In high-power applications, a more detailed examination of the surface is required. Mounting holes and surface treatment must also be considered.

Surface Flatness

Surface flatness is determined by comparing the variance in height (Δh) of the test specimen to that of a reference standard as indicated in Figure 19. Flatness is normally specified as a fraction of the Total Indicator Reading (TIR). The mounting surface flatness, i.e., $\Delta h/TIR$, if less than 4 mils per inch, normal for extruded aluminum, is satisfactory in most cases.

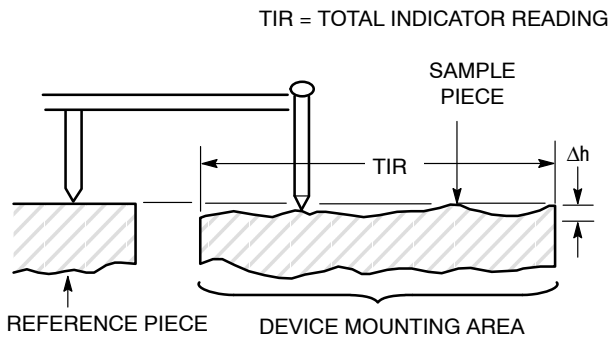


Figure 19. Surface Flatness Measurement

Surface Finish

Surface finish is the average of the deviations both above and below the mean value of surface height. For minimum interface resistance, a finish in the range of 50 to 60 microinches is satisfactory; a finer finish is costly to achieve and does not significantly lower contact resistance. Tests conducted by Thermalloy, Inc., using a copper TO-204 (TO-3) package with a typical 32-microinch finish, showed that heatsink finishes between 16 and 64 μ -in caused less than $\pm 2.5\%$ difference in interface thermal resistance when the voids and scratches were filled with a thermal joint compound.⁽³⁾ Most commercially available cast or extruded heatsinks will require spotfacing when used in high-power applications. In general, milled or machined surfaces are satisfactory if prepared with tools in good working condition.

Mounting Holes

Mounting holes generally should only be large enough to allow clearance of the fastener. The larger thick flange type packages having mounting holes removed from the semiconductor die location, such as the TO-3, may successfully be used with larger holes to accommodate an insulating bushing, but many plastic encapsulated packages are intolerant of this condition. For these packages, a smaller screw size must be used such that the hole for the bushing does not exceed the hole in the package.

Punched mounting holes have been a source of trouble because if not properly done, the area around a punched hole is depressed in the process. This "crater" in the heatsink around the mounting hole can cause two problems. The device can be damaged by distortion of the package as the mounting pressure attempts to conform it to the shape of the heatsink indentation, or the device may only bridge the crater and leave a significant percentage of its heat-dissipating surface out of contact with the heatsink. The first effect may often be detected immediately by visual cracks in the package (if plastic), but usually an unnatural stress is imposed, which results in an early-life failure. The second effect results in hotter operation and is not manifested until much later.

Although punched holes are seldom acceptable in the relatively thick material used for extruded aluminum heatsinks, several manufacturers are capable of properly utilizing the capabilities inherent in both fine-edge blanking or sheared-through holes when applied to sheet metal as commonly used for stamped heatsinks. The holes are pierced using Class A progressive dies mounted on four-post die sets equipped with proper pressure pads and holding fixtures.

When mounting holes are drilled, a general practice with extruded aluminum, surface cleanup is important. Chamfers must be avoided because they reduce heat transfer surface and increase mounting stress. However, the edges must be broken to remove burrs which cause poor contact between device and heatsink and may puncture isolation material.

Surface Treatment

Many aluminum heatsinks are black-anodized to improve radiation ability and prevent corrosion. Anodizing results in significant electrical, but negligible thermal insulation; it need only be removed from the mounting area when electrical contact is required. Heatsinks are also available which have a nickel plated copper insert under the semiconductor mounting area. No treatment of this surface is necessary.

Another treated aluminum finish is iridite, or chromateacid dip, which offers low resistance because of its thin surface, yet has good electrical properties because it resists oxidation. It need only be cleaned of the oils and films that collect in the manufacture and storage of the sinks, a practice which should be applied to all heatsinks.

For economy, paint is sometimes used for sinks; removal of the paint where the semiconductor is attached is usually required because of paint's high thermal resistance. However, when it is necessary to insulate the semiconductor package from the heatsink, hard anodized or painted surfaces allow an easy installation for low voltage applications. Some manufacturers will provide anodized or painted surfaces meeting specific insulation voltage requirements, usually up to 400 volts.

It is also necessary that the surface be free from all foreign material, film, and oxide (freshly bared aluminum forms an oxide layer in a few seconds). Immediately prior to assembly, it is a good practice to polish the mounting area with No. 000 steel wool, followed by an acetone or alcohol rinse.

INTERFACE DECISIONS

When any significant amount of power is being dissipated, something must be done to fill the air voids between mating surfaces in the thermal path. Otherwise, the interface thermal resistance will be unnecessarily high and quite dependent upon the surface finishes.

For several years, thermal joint compounds, often called grease, have been used in the interface. They have a resistivity of approximately 60°C/W/in whereas air has 1200°C/W/in. Since surfaces are highly pock-marked with minute voids, use of a compound makes a significant reduction in the interface thermal resistance of the joint. However, the grease causes a number of problems, as discussed in the following section.

To avoid using grease, manufacturers have developed dry conductive and insulating pads to replace the more traditional materials. These pads are conformal, therefore, they partially fill voids when under pressure.

Thermal Compounds (Grease)

Joint compounds are a formulation of fine zinc or other conductive particles in a silicone oil or other synthetic base fluid which maintains a grease-like consistency with time and temperature. Since some of these compounds do not spread well, they should be evenly applied in a very thin layer using a spatula or lintless brush, and wiped lightly to remove excess material. Some cyclic rotation of the package will help the compound spread evenly over the entire contact area. Some experimentation is necessary to determine the correct quantity; too little will not fill all the voids, while too much may permit some compound to remain between well-mated metal surfaces where it will substantially increase the thermal resistance of the joint.

To determine the correct amount, several semiconductor samples and heatsinks should be assembled with different amounts of grease applied evenly to one side of each mating surface. When the amount is correct, a very small amount of grease should appear around the perimeter of each mating surface as the assembly is slowly torqued to the recommended value. Examination of a dismantled assembly should reveal even wetting across each mating surface. In production, assemblers should be trained to slowly apply the specified torque even though an excessive amount of grease appears at the edges of mating surfaces. Insufficient torque causes a significant increase in the thermal resistance of the interface.

To prevent accumulation of airborne particulate matter, excess compound should be wiped away using a cloth moistened with acetone or alcohol. These solvents should not contact plastic-encapsulated devices, as they may enter the package and cause a leakage path or carry in substances which might attack the semiconductor chip.

The silicone oil used in most greases has been found to evaporate from hot surfaces with time and become deposited on other cooler surfaces. Consequently, manufacturers must determine whether a microscopically thin coating of silicone oil on the entire assembly will pose any problems. It may be necessary to enclose components using grease. The newer synthetic base greases show far less tendency to migrate or creep than those made with a silicone oil base. However, their currently observed working temperature range is less, they are slightly poorer on thermal conductivity and dielectric strength and their cost is higher.

SOLDERRM

Data showing the effect of compounds on several package types under different mounting conditions is shown in Table 1. The rougher the surface, the more valuable the grease becomes in lowering contact resistance; therefore, when mica insulating washers are used, use of grease is generally mandatory. The joint compound also improves the breakdown rating of the insulator.

Conductive Pads

Because of the difficulty of assembly using grease and the evaporation problem, some equipment manufacturers will not, or cannot, use grease. To minimize the need for grease, several vendors offer dry conductive pads which approximate performance obtained with grease. Data for a

greased bare joint and a joint using Grafoil®, a dry graphite compound, is shown in the data of Figure 20 through Figure 23. Grafoil is claimed to be a replacement for grease when no electrical isolation is required; the data indicates it does indeed perform as well as grease. Another conductive pad available from Aavid is called Kon-Dux™. It is made with a unique, grain oriented, flake-like structure (patent pending). Highly compressible, it becomes formed to the surface roughness of both the heatsink and semiconductor. Manufacturer's data shows it to provide an interface thermal resistance better than a metal interface with filled silicone grease. Similar dry conductive pads are available from other manufacturers. They are a fairly recent development; long term problems, if they exist, have not yet become evident.

Table 1. Approximate Values for Interface Thermal Resistance Data from Measurements Performed in onsemi Applications Engineering Laboratory

Dry interface values are subject to wide variation because of extreme dependence upon surface conditions. Unless otherwise noted, the case temperature is monitored by a thermocouple located directly under the die reached through a hole in the heatsink. (See Appendix B for a discussion of Interface Thermal Resistance Measurements.)

Package Type and Data		Interface Thermal Resistance (°C/W)						See Note
		Test Torque In-Lb	Metal-to-Metal		With Insulator		Type	
JEDEC Outlines	Description		Dry	Lubed	Dry	Lubed		
DO-203AA, TO-210AA TO-208AB	10-32 Stud 7/16" Hex	15	0.3	0.2	1.6	0.8	3 mil Mica	
DO-203AB, TO-210AC TO-208	1/4-28 Stud 11/16" Hex	25	0.2	0.1	0.8	0.6	5 mil Mica	
DO-208AA	Pressfit, 1/2"	-	0.15	0.1	-	-	-	
TO-204AA (TO-3)	Diamond Flange	6	0.5	0.1	1.3	0.36	3 mil Mica	1
TO-213AA (TO-66)	Diamond Flange	6	1.5	0.5	2.3	0.9	2 mil Mica	
TO-126	Thermopad 1/4" x 3/8"	6	2.0	1.3	4.3	3.3	2 mil Mica	
TO-220AB	Thermowatt	8	1.2	1.0	3.4	1.6	2 mil Mica	1, 2

NOTES: 1. See Figure 20 through Figure 24 for additional data on TO-3 and TO-220 packages.
2. Screw not insulated. See Figure 37.

INSULATION CONSIDERATIONS

Since most power semiconductors use vertical device construction, it is common to manufacture power semiconductors with the output electrode (anode, collector or drain) electrically common to the case; the problem of isolating this terminal from ground is a common one. For lowest overall thermal resistance, which is quite important when high power must be dissipated, it is best to isolate the entire heatsink/semiconductor structure from ground, rather than to use an insulator between the semiconductor and the heatsink. Heatsink isolation is not always possible, however, because of EMI requirements, safety reasons, instances where a chassis serves as a heatsink or where a heatsink is common to several non-isolated packages. In

these situations, insulators are used to isolate the individual components from the heatsink. Newer packages, such as the **onsemi FULLPAK™** and EMS modules, contain the electrical isolation material within, thereby saving the equipment manufacturer the burden of addressing the isolation problem.

Insulator Thermal Resistance

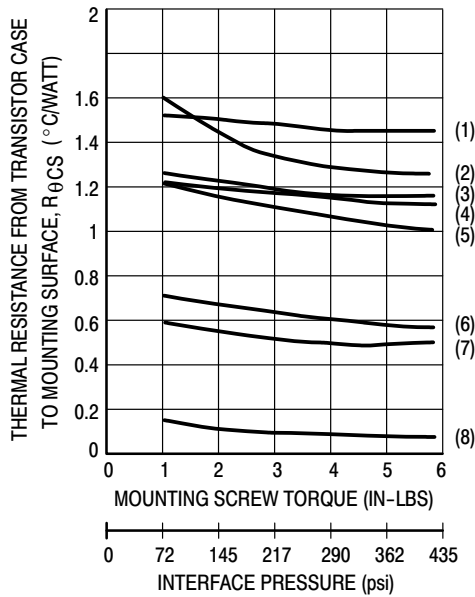
When an insulator is used, thermal grease is of greater importance than with a metal-to-metal contact, because two interfaces exist instead of one and some materials, such as mica, have a hard, markedly uneven surface. With many isolation materials, reduction of interface thermal resistance of between 2 to 1 and 3 to 1 are typical when grease is used.

Data obtained by Thermalloy, showing interface resistance for different insulators and torques applied to TO-204 (TO-3) and TO-220 packages, are shown in Figure 20 through Figure 23, for bare and greased surfaces. Similar materials to those shown are available from several manufacturers. It is obvious that with some arrangements, the interface thermal resistance exceeds that of the semiconductor (junction to case).

Referring to Figure 20 through Figure 23, one may conclude that when high power is handled, beryllium oxide is unquestionably the best. However, it is an expensive choice. (It should not be cut or abraded, as the dust is

highly toxic.) Thermafilm® is a filled polyimide material which is used for isolation (variation of Kapton®). It is a popular material for low power applications because of its low cost ability to withstand high temperatures, and ease of handling in contrast to mica which chips and flakes easily.

A number of other insulating materials are also shown. They cover a wide range of insulation resistance, thermal resistance and ease of handling. Mica has been widely used in the past because it offers high breakdown voltage and fairly low thermal resistance at a low cost, but it certainly should be used with grease.



- (1) Thermafilm, .002 (.05) thick.
- (2) Mica, .003 (.08) thick.
- (3) Mica, .002 (.05) thick.
- (4) Hard anodized, .020 (.51) thick.
- (5) Aluminum oxide, .062 (1.57) thick.
- (6) Beryllium oxide, .062 (1.57) thick.
- (7) Bare joint – no finish.
- (8) Grafoil, .005 (.13) thick.*

*Grafoil is not an insulating material.

Figure 20. TO-204AA (TO-3) Without Thermal Grease

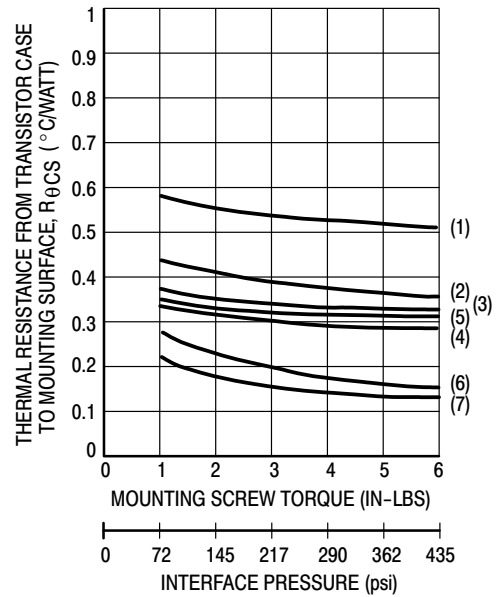
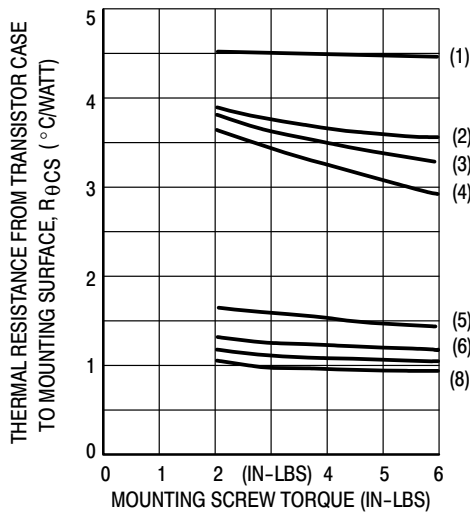


Figure 21. TO-204AA (TO-3) With Thermal Grease



- (1) Thermafilm, .002 (.05) thick.
- (2) Mica, .003 (.08) thick.
- (3) Mica, .002 (.05) thick.
- (4) Hard anodized, .020 (.51) thick.
- (5) Thermasil II, .009 (.23) thick.
- (6) Thermasil III, .0076 (.15) thick.
- (7) Bare joint – no finish.
- (8) Grafoil, .005 (.13) thick.*

*Grafoil is not an insulating material.

Figure 22. TO-220 Without Thermal Grease

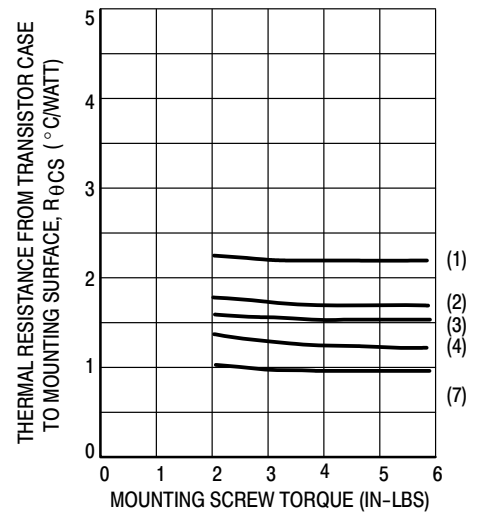


Figure 23. TO-220 With Thermal Grease

INTERFACE THERMAL RESISTANCE FOR TO-204, TO-3, AND TO-220 PACKAGES USING DIFFERENT INSULATING MATERIALS AS A FUNCTION OF MOUNTING SCREW TORQUE (DATA COURTESY THERMALLOY)

SOLDERRM

Silicone rubber insulators have gained favor because they are somewhat conformal under pressure. Their ability to fill in most of the metal voids at the interface reduces the need for thermal grease. When first introduced, they suffered from cut-through after a few years in service. The ones presently available have solved this problem by having imbedded pads of Kapton or fiberglass. By comparing Figure 22 and Figure 23, it can be noted that Thermasil™, a filled silicone rubber, without grease, has about the same interface thermal resistance as greased mica for the TO-220 package.

A number of manufacturers offer silicone rubber insulators. Table 2 shows measured performance of a number of these insulators under carefully controlled, nearly identical conditions. The interface thermal resistance extremes are over 2:1 for the various materials. It is also clear that some of the insulators are much more tolerant than others of out-of-flat surfaces. Since the tests were performed, newer products have been introduced. The Bergquist K-10® pad, for example, is described as having about 2/3 the interface resistance of the Sil-Pad® 1000 which would place its performance close to the Chomerics 1671 pad. Aavid also offers an isolated pad called Rubber-Duc™, however, it is only available vulcanized to a heatsink and, therefore, was not included in the comparison. Published data from Aavid shows $R_{\theta CS}$ below $0.3^{\circ}\text{C}/\text{W}$ for pressures above 500 psi. However, surface flatness and other details are not specified, so a comparison cannot be made with other data in this note.

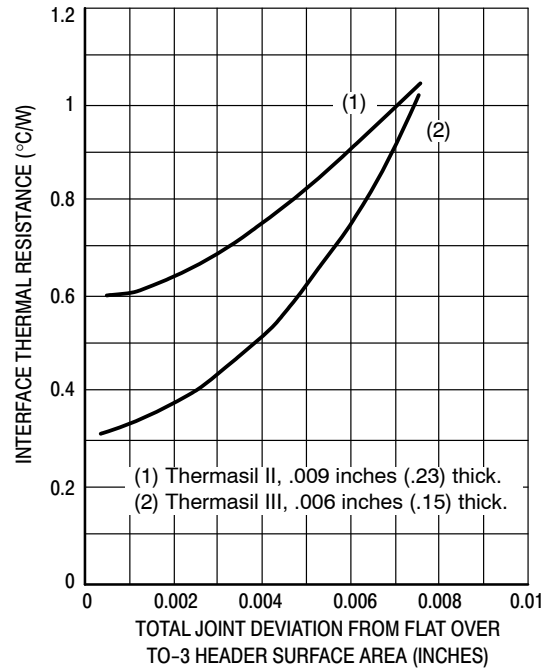
Table 2. Thermal Resistance of Silicone Rubber Pads

Manufacturer	Product	$R_{\theta CS}$ @ 3 Mils*	$R_{\theta CS}$ @ 7.5 Mils*
Wakefield	Delta Pad 173-7	.790	1.175
Bergquist	Sil-Pad K-4®	.752	1.470
Stockwell Rubber	1867	.742	1.015
Bergquist	Sil-Pad 400-9®	.735	1.205
Thermalloy	Thermasil II	.680	1.045
Shin-Etsu	TC-30AG	.664	1.260
Bergquist	Sil-Pad 400-7®	.633	1.060
Chomerics	1674	.592	1.190
Wakefield	Delta Pad 174-9	.574	.755
Bergquist	Sil-Pad 1000®	.529	.935
Ablestik	Thermal Wafers	.500	.990
Thermalloy	Thermasil III	.440	1.035
Chomerics	1671	.367	.655

*Test Fixture Deviation from flat from Thermalloy EIR86-1010.

The thermal resistance of some silicone rubber insulators is sensitive to surface flatness when used under a fairly rigid base package. Data for a TO-204AA (TO-3) package insulated with Thermasil is shown in Figure 24. Observe that the “worst case” encountered (7.5 mils) yields results having about twice the thermal resistance of the “typical case” (3 mils), for the more conductive insulator. In order

for Thermasil III to exceed the performance of greased mica, total surface flatness must be under 2 mils, a situation that requires spot finishing.



Data courtesy of Thermalloy

Figure 24. Effect of Total Surface Flatness on Interface Resistance Using Silicon Rubber Insulators

Silicon rubber insulators have a number of unusual characteristics. Besides being affected by surface flatness and initial contact pressure, time is a factor. For example, in a study of the CHO-THERM® 1688 pad thermal interface impedance dropped from $0.90^{\circ}\text{C}/\text{W}$ to $0.70^{\circ}\text{C}/\text{W}$ at the end of 1000 hours. Most of the change occurred during the first 200 hours where $R_{\theta CS}$ measured $0.74^{\circ}\text{C}/\text{W}$. The torque on the conventional mounting hardware had decreased to 3 in-lb from an initial 6 in-lb. With nonconformal materials, a reduction in torque would have increased the interface thermal resistance.

Because of the difficulties in controlling all variables affecting tests of interface thermal resistance, data from different manufacturers is not in good agreement. Table 3 shows data obtained from two sources. The relative performance is the same, except for mica which varies widely in thickness. Appendix B discusses the variables which need to be controlled. At the time of this writing, ASTM Committee D9 is developing a standard for interface measurements.

The conclusions to be drawn from all this data is that some types of silicon rubber pads, mounted dry, will outperform the commonly used mica with grease. Cost may be a determining factor in making a selection.

**Table 3. Performance of Silicon Rubber Insulators
Tested Per MIL-I-49456**

Material	Measured Thermal Resistance (°C/W)	
	Thermalloy Data ⁽¹⁾	Bergquist Data ⁽²⁾
Bare Joint, greased	0.033	0.008
BeO, greased	0.082	–
CHO-THERM, 1617	0.233	–
Q Pad (non-insulated)	–	0.009
Sil-Pad, K-10	0.263	0.200
Thermasil III	0.267	–
Mica, greased	0.329	0.400
Sil-Pad 1000	0.400	0.300
CHO-THERM 1674	0.433	–
Thermasil II	0.500	–
Sil-Pad 400	0.533	0.440
Sil-Pad K-4	0.583	0.440

(1) From Thermalloy EIR 87-1030

(2) From Bergquist Data Sheet

Insulation Resistance

When using insulators, care must be taken to keep the matting surfaces clean. Small particles of foreign matter can puncture the insulation, rendering it useless or seriously lowering its dielectric strength. In addition, particularly when voltages higher than 300 V are encountered, problems with creepage may occur. Dust and other foreign material can shorten creepage distances significantly; so having a clean assembly area is important. Surface roughness and humidity also lower insulation resistance. Use of thermal grease usually raises the withstand voltage of the insulation system, but excess must be removed to avoid collecting dust. Because of these factors, which are not amenable to analysis, hi-pot testing should be done on prototypes and a large margin of safety employed.

Insulated Electrode Packages

Because of the nuisance of handling and installing the accessories needed for an insulated semiconductor mounting, equipment manufacturers have longed for cost-effective insulated packages since the 1950's. The first to appear were stud mount types which usually have a layer of beryllium oxide between the stud hex and the can. Although effective, the assembly is costly and requires manual mounting and lead wire soldering to terminals on top of the case. In the late 80's, a number of electrically isolated parts became available from various semiconductor manufacturers. These offerings presently consist of multiple chips and integrated circuits as well as the more conventional single chip devices.

The newer insulated packages can be grouped into two categories. The first has insulation between the semiconductor chips and the mounting base; an exposed area of the mounting base is used to secure the part. The Energy Management Series (EMS) modules, shown in Figure 33, Case 806 (ICePAK™) and Case 388A (TO-258AA) (see Figure 33) are examples of parts in this category. The second category contains parts which have a plastic overmold covering the metal mounting base. The isolated, Case 221C, illustrated in 38, is an example of parts in the second category.

Parts in the first category (those with an exposed metal flange or tab) are mounted the same as their non-insulated counterparts. However, as with any mounting system where pressure is bearing on plastic, the overmolded type should be used with a conical compression washer, described later in this note.

FASTENER AND HARDWARE CHARACTERISTICS

Characteristics of fasteners, associated hardware, and the tools to secure them determine their suitability for use in mounting the various packages. Since many problems have arisen because of improper choices, the basic characteristics of several types of hardware are discussed next.

Compression Hardware

Normal split ring lock washers are not the best choice for mounting power semiconductors. A typical #6 washer flattens at about 50 pounds, whereas 150 to 300 pounds is needed for good heat transfer at the interface. A very useful piece of hardware is the conical, sometimes called a Belleville washer, compression washer. As shown in Figure 25, it has the ability to maintain a fairly constant pressure over a wide range of its physical deflection – generally 20% to 80%. When installing, the assembler applies torque until the washer depresses to half its original height. (Tests should be run prior to setting up the assembly line to determine the proper torque for the fastener used to achieve 50% deflection.) The washer will absorb any cyclic expansion of the package, insulating washer or other materials caused by temperature changes. Conical washers are the key to successful mounting of devices requiring strict control of the mounting force or when plastic hardware is used in the mounting scheme. They are used with the large face contacting the packages. A new variation of the conical washer includes it as part of a nut assembly. Called a “sync nut,” the patented device can be soldered to a PC board and the semiconductor mounted with a 6-32 machine screw.⁽⁴⁾

SOLDERRM

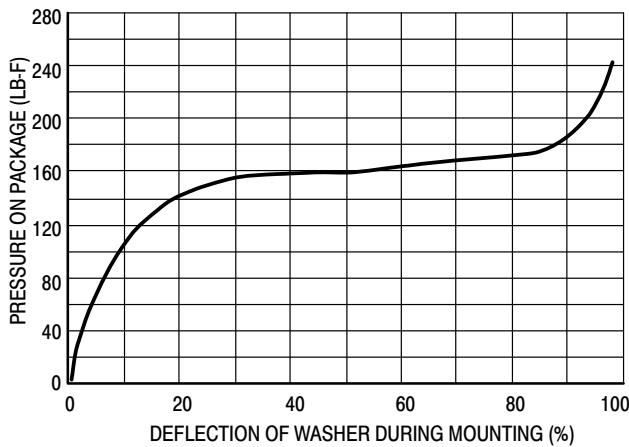


Figure 25. Characteristics of the Conical Compression Washers Designed for Use with Plastic Body Mounted Semiconductors

Clips

Fast assembly is accomplished with clips. When only a few watts are being dissipated, the small board-mounted or free-standing heat dissipaters with an integral clip, offered by several manufacturers, result in a low cost assembly. When higher power is being handled, a separate clip may be used with larger heatsinks. In order to provide proper pressure, the clip must be specially designed for a particular heatsink thickness and semiconductor package.

Clips are especially popular with plastic packages such as the TO-220 and TO-126. In addition to fast assembly, the clip provides lower interface thermal resistance than other assembly methods when it is designed for proper pressure to bear on the top of the plastic over the die. The TO-220 package usually is lifted up under the die location when mounted with a single fastener through the hole in the tab because of the high pressure at one end.

Machine Screws

Machine screws, conical washers, and nuts (or sync nuts) can form a trouble-free fastener system for all types of packages which have mounting holes. However, proper torque is necessary. Torque ratings apply when dry; therefore, care must be exercised when using thermal grease to prevent it from getting on the threads as inconsistent torque readings result. Machine screw heads should not directly contact the surface of plastic packages types as the screw heads are not sufficiently flat to provide properly distributed force. Without a washer, cracking of the plastic case could occur.

Self-Tapping Screws

Under carefully controlled conditions, sheet-metal screws are acceptable. However, during the tapping process with a standard screw, a volcano-like protrusion will develop in the metal being threaded; an unacceptable surface that could increase the thermal resistance may

result. When standard sheet metal screws are used, they must be used in a clearance hole to engage a speednut. If a self-tapping process is desired, the screw type must be used which roll-forms machine screw threads.

Rivets

Rivets are not a recommended fastener for any of the plastic packages. When a rugged metal flange-mount package or EMS module is being mounted directly to a heatsink, rivets can be used provided press-riveting is used. Crimping force must be applied slowly and evenly. Pop-riveting should never be used because the high crimping force could cause deformation of most semiconductor packages. Aluminum rivets are much preferred over steel because less pressure is required to set the rivet and thermal conductivity is improved.

The hollow rivet, or eyelet, is preferred over solid rivets. An adjustable, regulated pressure press is used such that a gradually increasing pressure is used to pan the eyelet. Use of sharp blows could damage the semiconductor die.

Solder

Until the advent of the surface mount assembly technique, solder was not considered a suitable fastener for power semiconductors. However, user demand has led to the development of new packages for this application. Acceptable soldering methods include conventional belt-furnace, irons, vapor-phase reflow, and infrared reflow. It is important that the semiconductor temperature not exceed the specified maximum (usually 260°C) or the die bond to the case could be damaged. A degraded die bond has excessive thermal resistance which often leads to a failure under power cycling.

Adhesives

Adhesives are available which have coefficients of expansion compatible with copper and aluminum.⁽⁵⁾ Highly conductive types are available; a 10 mil layer has approximately 0.3°C/W interface thermal resistance. Different types are offered: high strength types for non-field serviceable systems or low strength types for field serviceable systems. Adhesive bonding is attractive when case-mounted parts are used in wave soldering assembly because thermal greases are not compatible with the conformal coatings used and the greases foul the solder process.

Plastic Hardware

Most plastic materials will flow, but differ widely in this characteristic. When plastic materials form parts of the fastening system, compression washers are highly valuable to assure that the assembly will not loosen with time and temperature cycling. As previously discussed, loss of contact pressure will increase interface thermal resistance.

FASTENING TECHNIQUES

Each of the various classes of packages in use requires different fastening techniques. Details pertaining to each type are discussed in the following sections. Some general considerations follow.

To prevent galvanic action from occurring when devices are used on aluminum heatsinks in a corrosive atmosphere, many devices are nickel- or gold-plated. Consequently, precautions must be taken not to mar the finish.

Another factor to be considered is that when a copper-based part is rigidly mounted to an aluminum heatsink, a bi-metallic system results which will bend with temperature changes. Not only is the thermal coefficient of expansion different for copper and aluminum, but the temperature gradient through each metal also causes each component to bend. If bending is excessive and the package is mounted by two or more screws, the semiconductor chip could be damaged.

Bending can be minimized by:

1. Mounting the component parallel to the heatsink fins to provide increased stiffness.
2. Allowing the heatsink holes to be a bit oversized so that some can slip between surfaces as the temperature changes.
3. Using a highly conductive thermal grease or mounting pad between the heatsink and semiconductor to minimize the temperature gradient and allow for movement.

Stud Mount

Parts which fall into the stud-mount classification are shown in Figure 25 through Figure 28. Mounting errors with non-insulated stud-mounted parts are generally confined to application of excessive torque or tapping the stud into a threaded heatsink hole. Both of these practices may cause a warpage of the hex base which may crack the semiconductor die. The only recommended fastening method is to use a nut and washer. The details are shown in Figure 29.

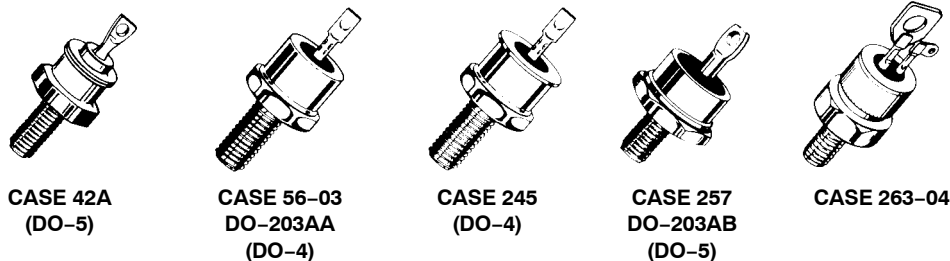


Figure 26. Standard Non-Isolated Types

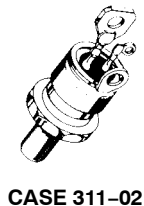


Figure 27. Isolated Type

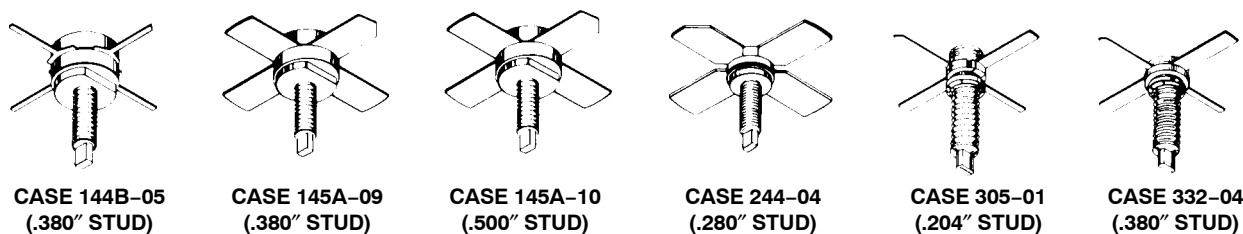


Figure 28. RF Stripline Opposed Emitter (SOE) Series

A VARIETY OF STUD-MOUNT PARTS

SOLDERRM

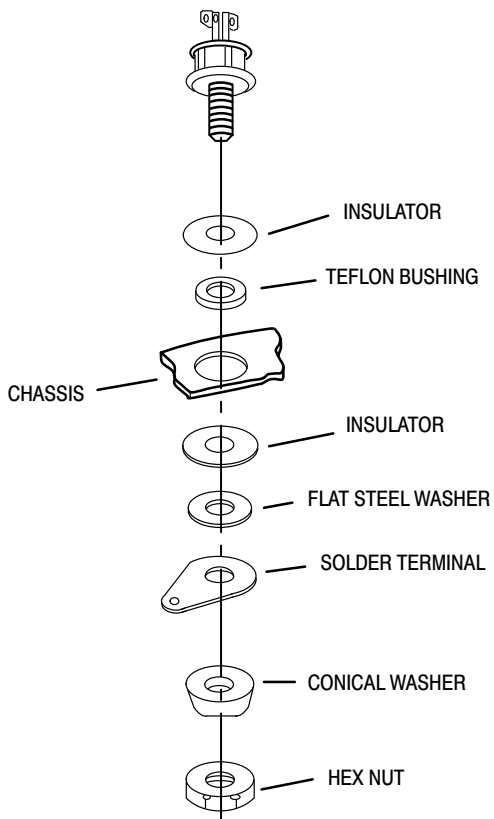


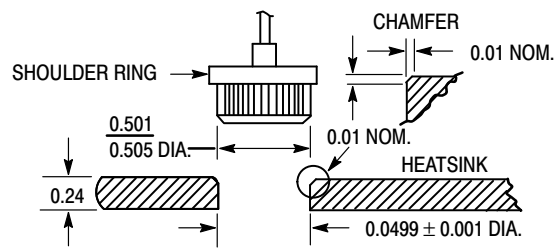
Figure 29. Isolating Hardware Used for a Non-Isolated Stud-Mount Package

Insulated electrode packages on a stud mount base require less hardware. They are mounted the same as their non-insulated counterparts, but care must be exercised to avoid applying a shear or tension stress to the insulation layer, usually a beryllium oxide (BeO) ceramic. This requirement dictates that the leads must be attached to the circuit with flexible wire. In addition, the stud hex should be used to hold the part while the nut is torqued.

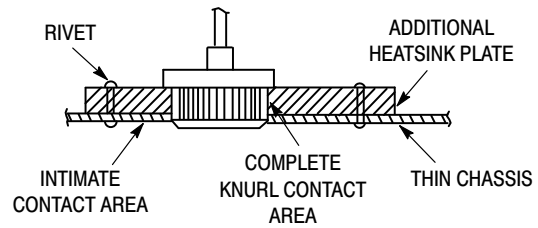
RF transistors in the stud-mount Stripline Opposed Emitter (SOE) package impose some additional constraints because of the unique construction of the package. Special techniques to make connections to the stripline leads and to mount the part so no tension or shear forces are applied to any ceramic – metal interface are discussed in the section entitled, “Connecting and Handling Terminals.”

Press Fit

For most applications, the press-fit case should be mounted according to the instructions shown in Figure 30. A special fixture, meeting the necessary requirements, must be used.



HEATSINK MOUNTING



THIN-CHASSIS MOUNTING

The hole edge must be chamfered as shown to prevent shearing off the knurled edge of the case during press-in. The pressing force should be applied evenly on the shoulder ring to avoid tilting or canting of the case in the hole during the pressing operation. Also, the use of a thermal joint compound will be of considerable aid. The pressing force will vary from 250 to 1000 pounds, depending upon the heatsink material. Recommended hardnesses are: copper—less than 50 on the Rockwell F scale; aluminum—less than 65 on the Brinell scale. A heatsink as thin as 1/8" may be used, but the interface thermal resistance will increase in direct proportion to the contact area. A thin chassis requires the addition of a backup plate.

Figure 30. Press-Fit Package

Flange Mount

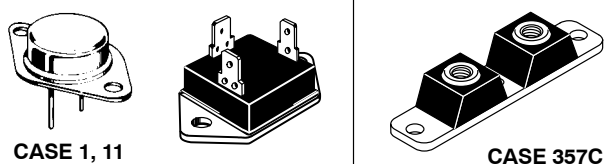
A large variety of parts fit into the flange mount category as shown in Figure 31 through Figure 34. Few known mounting difficulties exist with the smaller flange mount packages, such as the TO-204 (TO-3). The rugged base and distance between die and mounting holes combine to make it extremely difficult to cause any warpage unless mounted on a surface which is badly bowed or unless one side is tightened excessively before the other screw is started. It is, therefore, good practice to alternate tightening of the screws so that pressure is evenly applied. After the screws are finger-tight, the hardware should be torqued to its final specification in at least two sequential steps. A typical mounting installation for a popular flange type part is shown in Figure 35. Machine screws (preferred), self-tapping screws, eyelets, or rivets may be used to secure the package using guidelines in the previous section, “Fastener and Hardware Characteristics.”

The copper flange of the Energy Management Series (EMS) modules is very thick. Consequently, the parts are rugged and indestructible for all practical purposes. No special precautions are necessary when fastening these parts to a heatsink.

Some packages specify a tightening procedure. For example, with the Power Tap package, 32, final torque should be applied first to the center position.

The RF power modules (MHW series) are more sensitive to the flatness of the heatsink than other packages because

a ceramic (BeO) substrate is attached to a relatively thin, fairly long, flange. The maximum allowable flange bending to avoid mechanical damage has been determined and presented in detail in Engineering Bulletin EB107/D, "Mounting Considerations for onsemi RF Power Modules." Many of the parts can handle a combined heatsink and flange deviation from flat of 7 to 8 mils which is commonly available. Others must be held to 1.5 mils, which requires that the heatsink have nearly perfect flatness.



CASE 1, 11
TO-204AA
(TO-3)

CASE 383

CASE 357C

Figure 31. TO-3 Variations

Figure 32. Plastic Power Tap

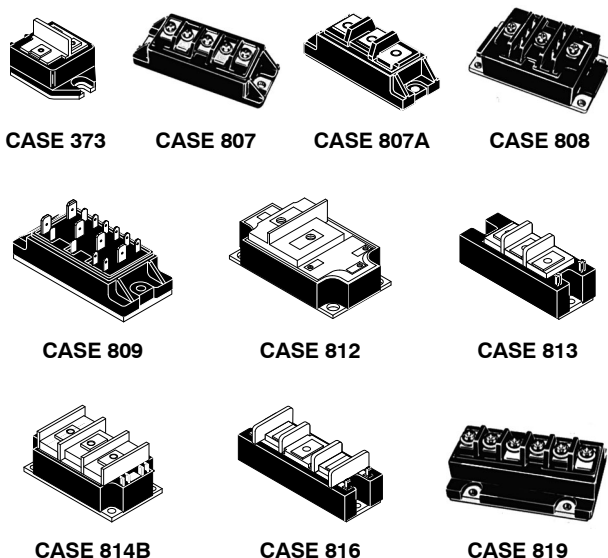


Figure 33. Energy Management Series (Isolated Base Plate)

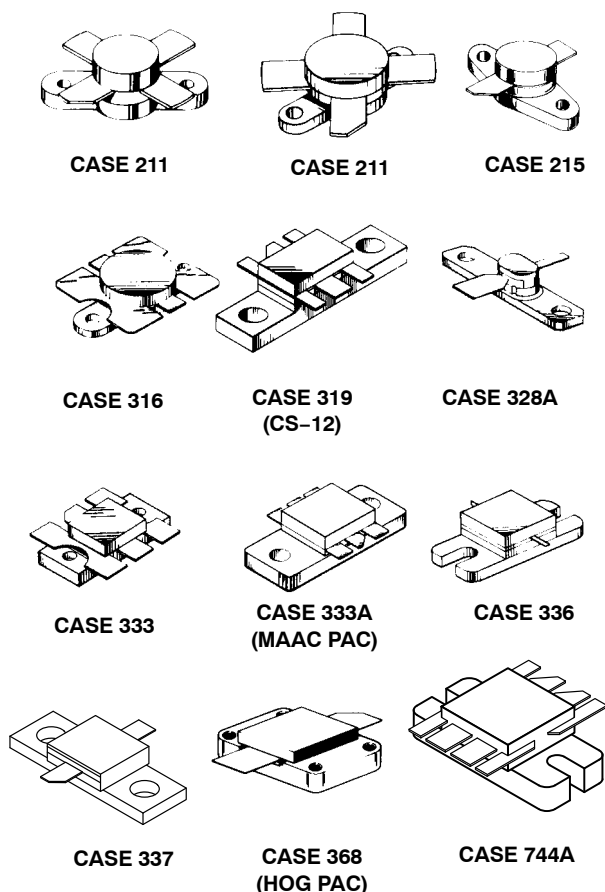


Figure 34. RF Stripline Isolated Output Opposed Emitter (SOE) Series

A LARGE ARRAY OF PARTS FIT INTO THE FLANGE-MOUNT CLASSIFICATION

Specific mounting recommendations are critical to RF devices in isolated packages because of the internal ceramic substrate. The large area, Case 368-03 (HOG PAC), will be used to illustrate problem areas. It is more sensitive to proper mounting techniques than most other RF power devices.

Although the data sheets contain information on recommended mounting procedures, experience indicates that they are often ignored. For example, the recommended maximum torque on the 4-40 mounting screws is 5 in./lbs. Spring and flat washers are recommended. Over-torquing

is a common problem. In some parts returned for failure analysis, indentions up to 10 mils deep in the mounting screw areas, have been observed.

Calculations indicate that the length of the flange increases in excess of two mils with a temperature change of 75°C. In such cases, if the mounting screw torque is excessive, the flange is prevented from expanding in length; instead, it bends upward in the mid-section, cracking the BeO and the die. A similar result can also occur during the initial mounting of the device if an excessive amount of thermal compound is applied. With

SOLDERRM

sufficient torque, the thermal compound will squeeze out of the mounting hole areas, but will remain under the center of the flange, deforming it. Deformations of 2 – 3 mils have been measured between the center and the ends under such conditions (enough to crack internal ceramic).

Another problem arises because the thickness of the flange changes with temperature. For the 75°C temperature excursion mentioned, the increased amount is around 0.25 mils which results in further tightening of the mounting screws, thus increasing the effective torque from the initial value. With a decrease in temperature, the opposite effect occurs. Therefore, thermal cycling not only causes risk of structural damage but often causes the assembly to loosen which raises the interface resistance. Use of compression hardware can eliminate this problem.

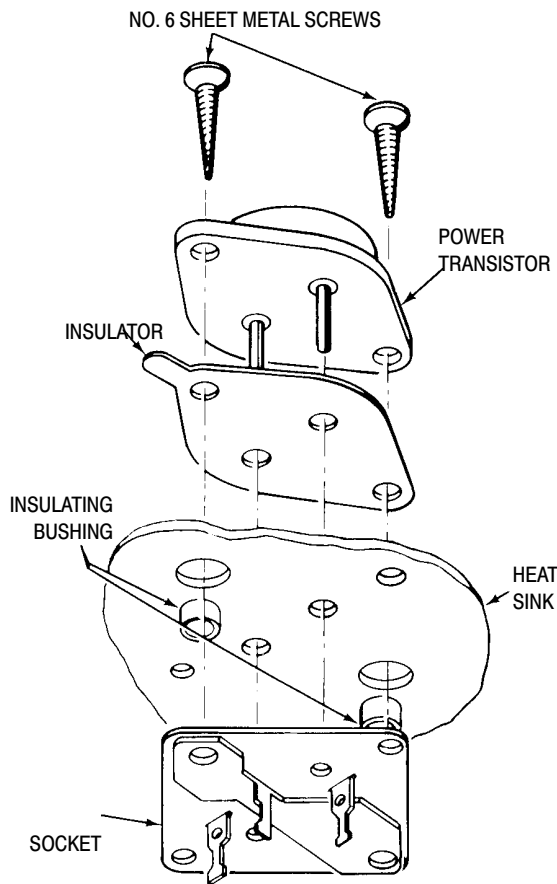


Figure 35. Hardware Used for a TO-204AA (TO-3) Flange Mount Part

Tab Mount

The tab mount class is composed of a wide array of packages as illustrated in Figure 36. Mounting considerations for all varieties are similar to that for the popular TO-220 package, whose suggested mounting arrangements and hardware are shown in Figure 37. The rectangular washer shown in Figure 37a is used to minimize distortion of the mounting flange; excessive distortion could cause damage to the semiconductor chip.

Use of the washer is only important when the size of the mounting hole exceeds 0.140 in. (6-32 clearance). Larger holes are needed to accommodate the lower insulating bushing when the screw is electrically connected to the case; however, the holes should not be larger than necessary to provide hardware clearance and should never exceed a diameter of 0.250 inch. Flange distortion is also possible if excessive torque is used during mounting. A maximum torque of 8 in./lbs is suggested when using a 6-32 screw.

Care should be exercised to assure that the tool used to drive the mounting screw never comes in contact with the plastic body during the driving operation. Such contact can result in damage to the plastic body and internal device connections. To minimize this problem, **onsemi** TO-220 packages have a chamfer on one end. TO-220 packages of other manufacturers may need a spacer or combination spacer and isolation bushing to raise the screw head above the top surface of the plastic.

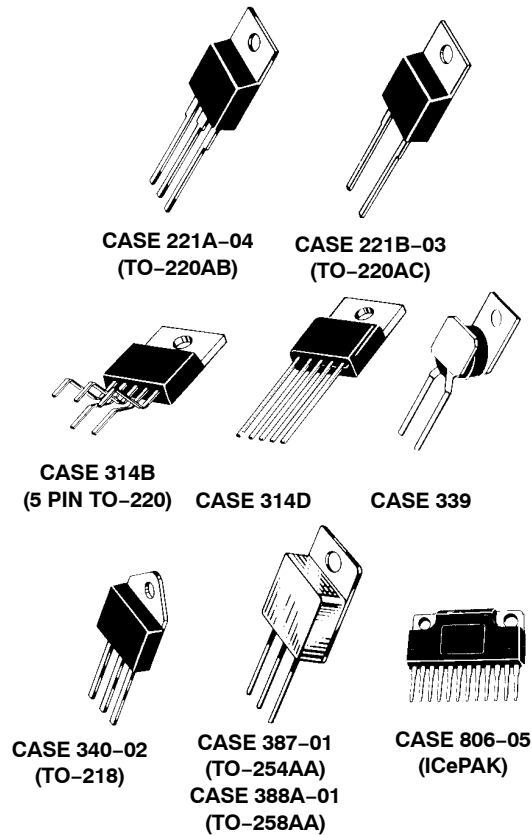


Figure 36. Several Types of Tab-Mount Parts

The popular TO-220 Package and others of similar construction lift off the mounting surface as pressure is applied to one end. (See Appendix B, Figure 53.) To counter this tendency, at least one hardware manufacturer offers a hard plastic cantilever beam which applies more even pressure on the tab.⁽⁶⁾ In addition, it separates the mounting screw from the metal tab. Tab mount parts may

also be effectively mounted with clips as shown in Figure 44.

To obtain high pressure without cracking the case, a pressure spreader bar should be used under the clip. Interface thermal resistance with the cantilever beam or clips can be lower than with screw mounting.

The ICePAK (Case 806-05) is basically an elongated TO-220 package with isolated chips. The mounting precautions for the TO-220 consequently apply. In addition, since two mounting screws are required, the alternate tightening procedure described for the flange mount package should be used.

In situations where a tab mount package is making direct contact with the heatsink, an eyelet may be used, provided sharp blows or impact shock is avoided.

- a) Preferred Arrangement for Isolated or Non-isolated Mounting. Screw is at Semiconductor Case Potential. 6-32 Hardware is Used. Choose from Parts Listed Below
- b) Alternate Arrangement for Isolated Mounting when Screw must be at Heatsink Potential. 4-40 Hardware is Used. Use Parts Listed Below

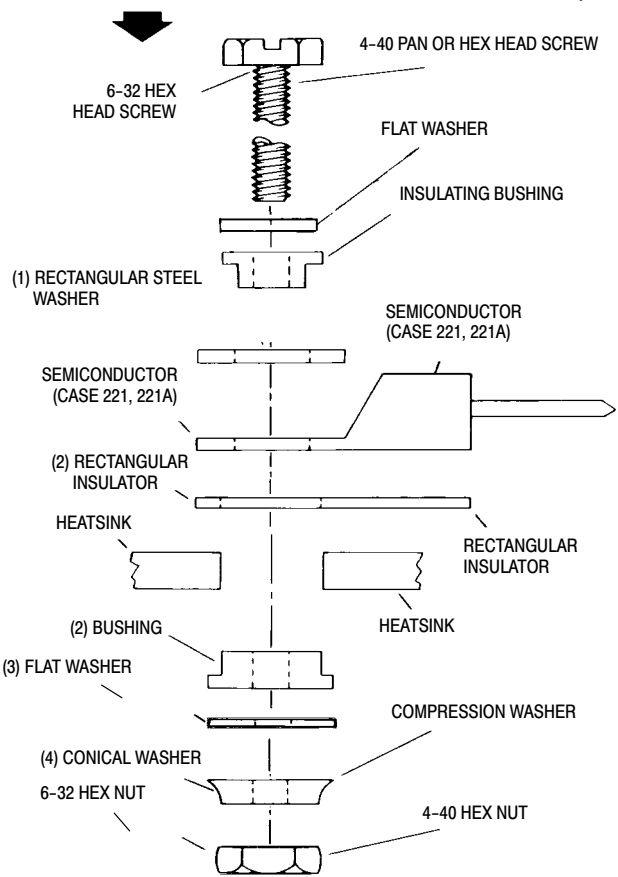


Figure 37. Mounting Arrangements for Tab Mount TO-220

Plastic Body Mount

The Thermopad™ and isolated plastic power packages shown in Figure 38 are typical of packages in this group. They have been designed to feature minimum size with no compromise in thermal resistance. For the Thermopad (Case 77) parts, this is accomplished by die-bonding the silicon chip on one side of a thin copper sheet; the opposite side is exposed as a mounting surface. The copper sheet has a hole for mounting; plastic is molded enveloping the chip but leaving the mounting hole open. The low thermal resistance of this construction is obtained at the expense of a requirement that strict attention be paid to the mounting procedure.

The isolated (Case 221C-02) is similar to a TO-220 except that the tab is encased in plastic. Because the mounting force is applied to plastic, the mounting procedure differs from a standard TO-220 and is similar to that of the Thermopad.

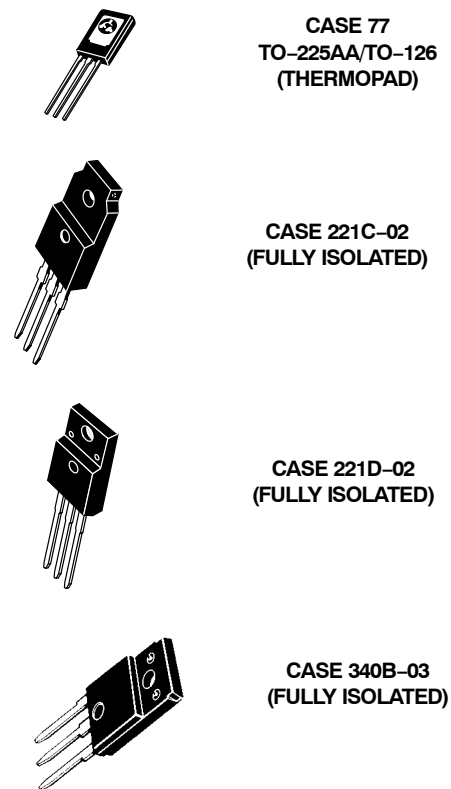


Figure 38. Plastic Body-Mount Packages

SOLDERRM

Several types of fasteners may be used to secure these packages; machine screws, eyelets, or clips are preferred. With screws or eyelets, a conical washer should be used which applies the proper force to the package over a fairly wide range of deflection and distributes the force over a fairly large surface area. Screws should not be tightened with any type of air-driven torque gun or equipment which may cause high impact. Characteristics of a suitable conical washer is shown in Figure 25.

Figure 39 through Figure 41 shows details of mounting Case 77 devices. Clip mounting is fast and requires minimum hardware, however, the clip must be properly chosen to insure that the proper mounting force is applied. When electrical isolation is required with screw mounting, a bushing inside the mounting hole will insure that the screw threads do not contact the metal base.

The isolated, (Case 221C, 221D, and 340B) permits the mounting procedure to be greatly simplified over that of a standard TO-220. As shown in Figure 44, one properly chosen clip, inserted into two slotted holes in the heatsink, is all the hardware needed. Even though clip pressure is much lower than obtained with a screw, the thermal

resistance is about the same for either method. This occurs because the clip bears directly on top of the die and holds the package flat while the screw causes the package to lift up somewhat under the die. (See Figure 53 of Appendix B.) The interface should consist of a layer of thermal grease or a highly conductive thermal pad. Of course, screw mounting shown in Figure 43 may also be used, but a conical compression washer should be included. Both methods afford a major reduction in hardware as compared to the conventional mounting method with a TO-220 package which is shown in Figure 42.

Surface Mount

Although many of the tab mount parts have been surface mounted, special small footprint packages for mounting power semiconductors using surface mount assembly techniques have been developed. The DPAK, shown in Figure 45, for example, will accommodate a die up to 112 mils x 112 mils, and has a typical thermal resistance around 2°C/W junction to case. The thermal resistance values of the solder interface is well under 1°C/W. The printed circuit board also serves as the heatsink.

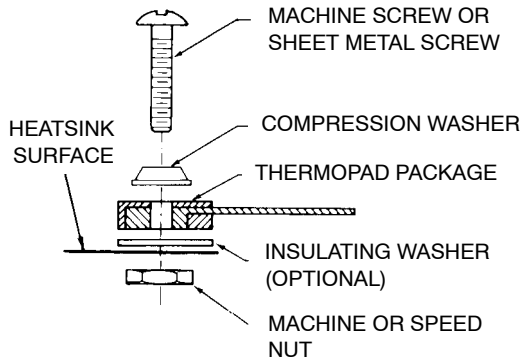


Figure 39. Machine Screw Mounting

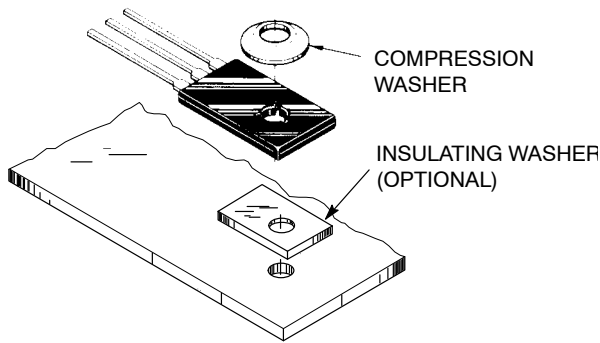
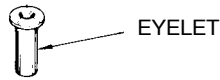


Figure 40. Eyelet Mounting

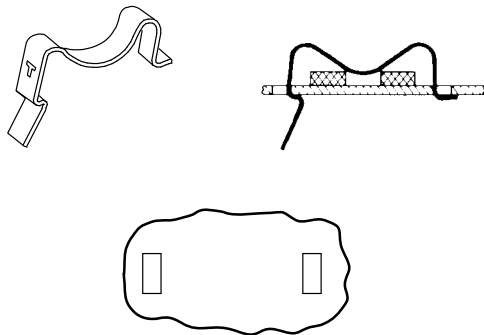


Figure 41. Clips

RECOMMENDED MOUNTING ARRANGEMENTS FOR TO-225AA (TO-126) THERMOPAD PACKAGES

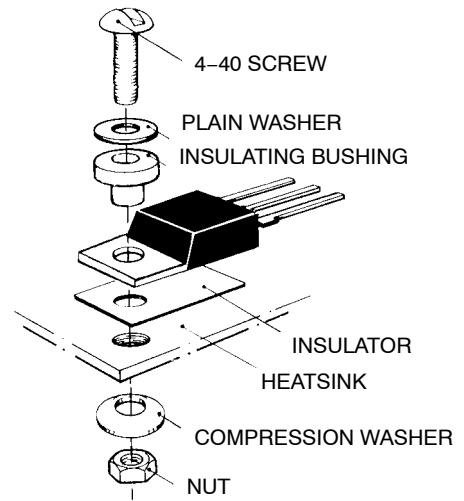


Figure 42. Screw-Mounted TO-220

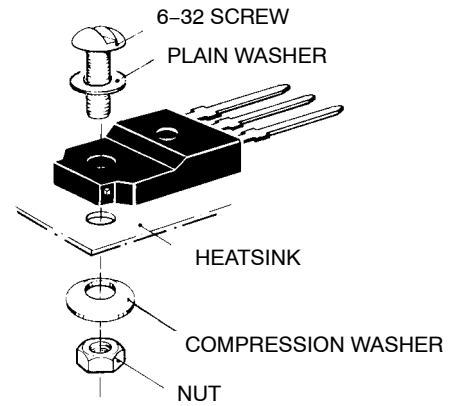


Figure 43. Screw-Mounted Isolated Package

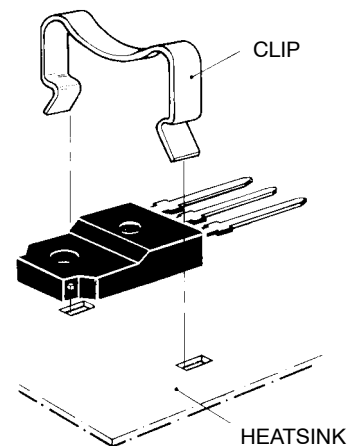
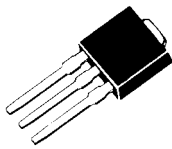
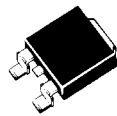


Figure 44. Clip-Mounted Isolated Package

MOUNTING ARRANGEMENTS FOR THE ISOLATED PACKAGE AS COMPARED TO A CONVENTIONAL



CASE 369-07



CASE 369A-13

Figure 45. Surface Mount D-PAK Parts

Standard Glass-Epoxy 2-ounce boards do not make very good heatsinks because the thin foil has a high thermal resistance. As Figure 46 shows, thermal resistance asymptotes to about 20°C/W at 10 square inches of board area, although a point of diminishing returns occurs at about 3 square inches.

Boards are offered that have thick aluminum or copper substrates. A dielectric coating designed for low thermal resistance is overlaid with one- or two-ounce copper foil for the preparation of printed conductor traces. Tests run on such a product indicate that case to substrate thermal resistance is in the vicinity of 1°C/W, exact values depending upon board type.⁽⁷⁾ The substrate may be an effective heatsink itself, or it can be attached to a conventional finned heatsink for improved performance.

Since DPAK and other surface mount packages are designed to be compatible with surface mount assembly techniques, no special precautions are needed other than to insure that maximum temperature/time profiles are not exceeded.

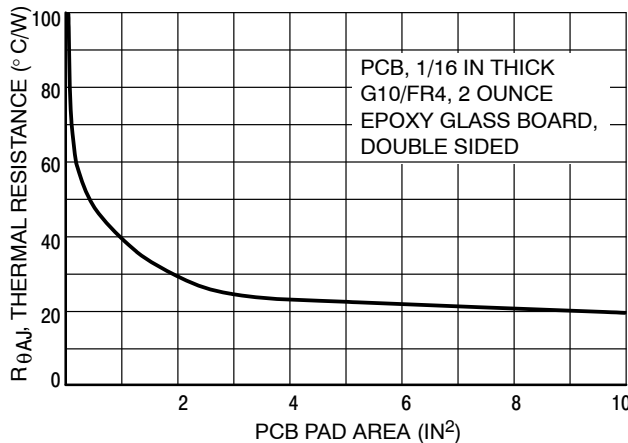


Figure 46. Effect of Footprint Area on Thermal Resistance of DPAK Mounted on a Glass-Epoxy Board

FREE AIR AND SOCKET MOUNTING

In applications where average power dissipation is on the order of a watt or so, most power semiconductors may be mounted with little or no heatsinking. The leads of the various metal power packages are not designed to support the packages; their cases must be firmly supported to avoid the possibility of cracked seals around the leads. Many plastic packages may be supported by their leads in applications where high shock and vibration stresses are not encountered and where no heatsink is used. The leads should be as short as possible to increase vibration

resistance and reduce thermal resistance. As a general practice, however, it is better to support the package. A plastic support for the TO-220 Package and other similar types is offered by heatsink accessory vendors.

In many situations, because its leads are fairly heavy, the Case 77 (TO-225AA) (TO-127) package has supported a small heatsink; however, no definitive data is available. When using a small heatsink, it is good practice to have the sink rigidly mounted such that the sink or the board is providing total support for the semiconductor. Two possible arrangements are shown in Figure 47 and Figure 48. The arrangement of Figure 47 could be used with any plastic package, but the scheme of Figure 48 is more practical with Case 77 Thermopad devices. With the other package types, mounting the transistor on top of the heatsink is more practical.

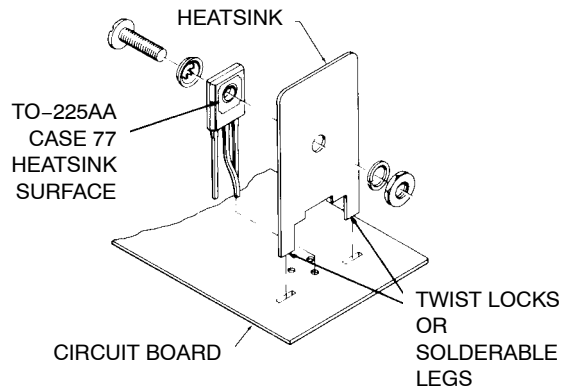


Figure 47. Simple Plate, Vertically Mounted

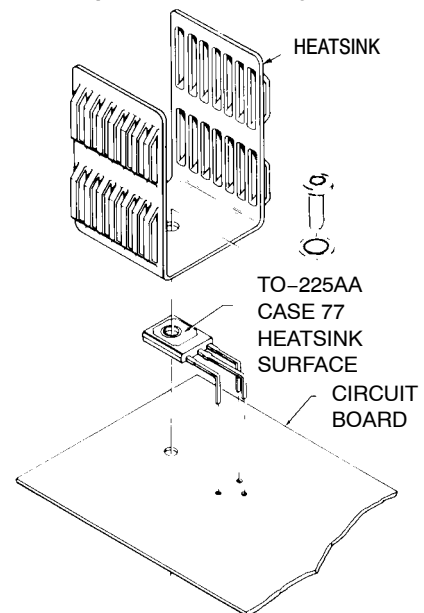


Figure 48. Commercial Sink, Horizontally Mounted

METHODS OF USING SMALL HEATSINKS WITH PLASTIC SEMICONDUCTOR PACKAGES

In certain situations, in particular where semiconductor testing is required or prototypes are being developed,

sockets are desirable. Manufacturers have provided sockets for many of the packages available from **onsemi**. The user is urged to consult manufacturers' catalogs for specific details. Sockets with Kelvin connections are necessary to obtain accurate voltage readings across semiconductor terminals.

CONNECTING AND HANDLING TERMINALS

Pins, leads, and tabs must be handled and connected properly to avoid undue mechanical stress which could cause semiconductor failure. Change in mechanical dimensions, as a result of thermal cycling over operating temperature extremes, must be considered. Standard metal, plastic, and RF stripline packages each have some special considerations.

Metal Packages

The pins and lugs of metal packaged devices using glass to metal seals are not designed to handle any significant bending or stress. If abused, the seals could crack. Wires may be attached using sockets, crimp connectors or solder, provided the data sheet ratings are observed. When wires are attached directly to the pins, flexible or braided leads are recommended in order to provide strain relief.

EMS Modules

The screw terminals of the EMS modules look deceptively rugged. Since the flange base is mounted to a rigid heatsink, the connection to the terminals must allow some flexibility. A rigid buss bar should not be bolted to terminals. Lugs with braid are preferred.

Plastic Packages

The leads of the plastic packages are somewhat flexible and can be reshaped, although this is not a recommended procedure. In many cases, a heatsink can be chosen which makes lead-bending unnecessary. Numerous lead and tab-forming options are available from **onsemi** on large quantity orders. Preformed leads remove the users' risk of device damage caused by bending.

If, however, lead-bending is done by the user, several basic considerations should be observed. When bending the lead, support must be placed between the point of bending and the package. For forming small quantities of units, a pair of pliers may be used to clamp the leads at the case, while bending with the fingers or another pair of pliers. For production quantities, a suitable fixture should be made.

The following rules should be observed to avoid damage to the package.

1. A leadbend radius greater than 1/16 inch is advisable for TO-225AA (CASE 77) and 1/32 inch for TO-220.
2. No twisting of leads should be done at the case.
3. No axial motion of the lead should be allowed with respect to the case.

The leads of plastic packages are not designed to withstand excessive axial pull. Force in this direction

greater than 4 pounds may result in permanent damage to the device. If the mounting arrangement imposes axial stress on the leads, a condition which may be caused by thermal cycling, some method of strain relief should be devised. When wires are used for connections, care should be exercised to assure that movement of the wire does not cause movement of the lead at the lead-to-plastic junctions. Highly flexible or braided wires are good for providing strain relief.

Wire-wrapping of the leads is permissible, provided that the lead is restrained between the plastic case and the point of the wrapping. The leads may be soldered; the maximum soldering temperature, however, must not exceed 260°C and must be applied for not more than 5 seconds at a distance greater than 1/8 inch from the plastic case.

Stripline Packages

The leads of stripline packages normally are soldered into a board while the case is recessed to contact a heatsink as shown in Figure 49 through Figure 51. The following rules should be observed:

1. The device should never be mounted in such a manner as to place ceramic-to-metal joints in tension.
2. The device should never be mounted in such a manner as to apply force on the strip leads in a vertical direction towards the cap.
3. When the device is mounted in a printed circuit board with the copper stud and BeO portion of the header passing through a hole in the circuit boards, adequate clearance must be provided for the BeO to prevent shear forces from being applied to the leads.
4. Some clearance must be allowed between the leads and the circuit board when the device is secured to the heatsink.
5. The device should be properly secured into the heatsinks before its leads are attached into the circuit.
6. The leads on stud type devices must not be used to prevent device rotation during stud torque application. A wrench flat is provided for this purpose.

Figure 50 shows a cross-section of a printed circuit board and heatsink assembly for mounting a stud-type stripline device. H is the distance from the top surface of the printed circuit board to the D-flat heatsink surface. If H is less than the minimum distance from the bottom of the lead material to the mounting surface of the package, there is no possibility of tensile forces in the copper stud - BeO ceramic joint. If, however, H is greater than the package dimension, considerable force is applied to the cap to BeO joint and the BeO to stud joint. Two occurrences are possible at this point. The first is a cap joint failure when the structure is heated, as might occur during the lead-soldering operation; while the second is BeO to stud failure if the force generated is high enough. Lack of contact between the device and the heatsink surface will occur as the differences between H and the package

SOLDERRM

dimension become larger; this may result in device failure as power is applied.

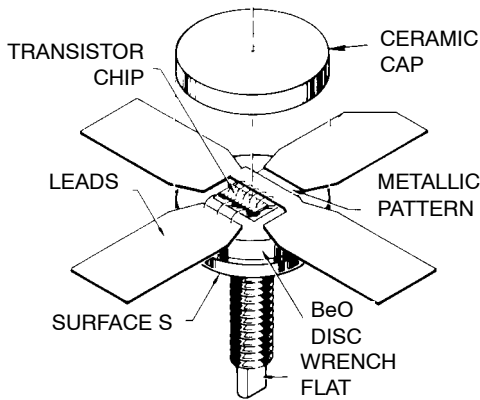


Figure 49. Component Parts of a Stud Mount Stripline Package. Flange Mounted Packages are Similarly Constructed

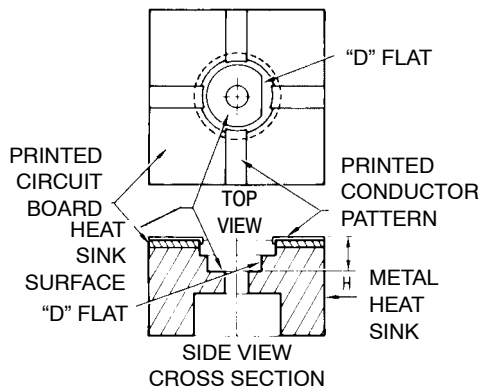


Figure 50. Typical Stud Type SOE Transistor Mounting Method

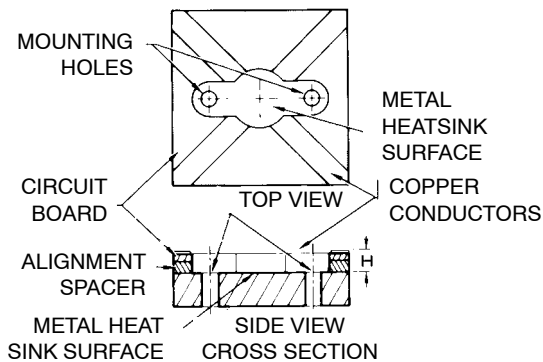


Figure 51. Flange Type SOE Transistor Mounting Method

MOUNTING DETAILS FOR SOE TRANSISTORS

Figure 51 shows a typical mounting technique for flange-type stripline transistors. Again, H is defined as the distance from the top of the printed circuit board to the heatsink surface. If distance H is less than the minimum distance from the bottom of transistor lead to the bottom surface of the flange, tensile forces at the various joints in

the package are avoided. However, if distance H exceeds the package dimension, problems similar to those discussed for the stud type devices can occur.

CLEANING CIRCUIT BOARDS

It is important that any solvents or cleaning chemicals used in the process of degreasing or flux removal do not affect the reliability of the devices. Alcohol and unchlorinated Freon solvents are generally satisfactory for use with plastic devices, since they do not damage the package. Hydrocarbons such as gasoline and chlorinated Freon may cause the encapsulant to swell, possibly damaging the transistor die.

When using an ultrasonic cleaner for cleaning circuit boards, care should be taken with regard to ultrasonic energy and time of application. This is particularly true if any packages are free-standing without support.

THERMAL SYSTEM EVALUATION

Assuming that a suitable method of mounting the semiconductor without incurring damage has been achieved, it is important to ascertain whether the junction temperature is within bounds.

In applications where the power dissipated in the semiconductor consists of pulses at a low duty cycle, the instantaneous or peak junction temperature, not average temperature, may be the limiting condition. In this case, use must be made of transient thermal resistance data. For a full explanation of its use, see **onsemi** Application Note, AN569/D.

Other applications, notably RF power amplifiers or switches driving highly reactive loads, may create severe current crowding conditions which render the traditional concepts of thermal resistance or transient thermal impedance invalid. In this case, transistor safe operating area, thyristor di/dt limits, or equivalent ratings as applicable, must be observed.

Fortunately, in many applications, a calculation of the average junction temperature is sufficient. It is based on the concept of thermal resistance between the junction and a temperature reference point on the case. (See Appendix A.) A fine wire thermocouple should be used, such as #36 AWG, to determine case temperature. Average operating junction temperature can be computed from the following equation:

$$T_J = T_C + R_{\theta JC} \times P_D$$

where T_J = junction temperature ($^{\circ}\text{C}$)
 T_C = case temperature ($^{\circ}\text{C}$)
 $R_{\theta JC}$ = thermal resistance junction-to case as specified on the data sheet ($^{\circ}\text{C}/\text{W}$)
 P_D = power dissipated in the device (W)

The difficulty in applying the equation often lies in determining the power dissipation. Two commonly used empirical methods are graphical integration and substitution.

Graphical Integration

Graphical integration may be performed by taking oscilloscope pictures of a complete cycle of the voltage and current waveforms, using a limit device. The pictures should be taken with the temperature stabilized. Corresponding points are then read from each photo at a suitable number of time increments. Each pair of voltage and current values are multiplied together to give instantaneous values of power. The results are plotted on linear graph paper, the number of squares within the curve counted, and the total divided by the number of squares along the time axis. The quotient is the average power dissipation. Oscilloscopes are available to perform these measurements and make the necessary calculations.

Substitution

This method is based upon substituting an easily measurable, smooth dc source for a complex waveform. A

switching arrangement is provided which allows operating the load with the device under test, until it stabilizes in temperature. Case temperature is monitored. By throwing the switch to the "test" position, the device under test is connected to a dc power supply, while another pole of the switch supplies the normal power to the load to keep it operating at full power level. The dc supply is adjusted so that the semiconductor case temperature remains approximately constant when the switch is thrown to each position for about 10 seconds. The dc voltage and current values are multiplied together to obtain average power. It is generally necessary that a Kelvin connection be used for the device voltage measurement.

**APPENDIX A
THERMAL RESISTANCE CONCEPTS**

The basic equation for heat transfer under steady-state conditions is generally written as:

$$q = hA\Delta T \quad (1)$$

- where q = rate of heat transfer or power dissipation (P_D)
 h = heat transfer coefficient,
 A = area involved in heat transfer,
 ΔT = temperature difference between regions of heat transfer.

However, electrical engineers generally find it easier to work in terms of thermal resistance, defined as the ratio of temperature to power. From Equation 1, thermal resistance, R_{θ} , is

$$R_{\theta} = \Delta T/q = 1/hA \quad (2)$$

The coefficient (h) depends upon the heat transfer mechanism used and various factors involved in that particular mechanism.

An analogy between Equation (2) and Ohm's Law is often made to form models of heat flow. Note that T could be thought of as a voltage thermal resistance corresponds to electrical resistance (R); and, power (q) is analogous to current (I). This gives rise to a basic thermal resistance model for a semiconductor as indicated by Figure 52.

The equivalent electrical circuit may be analyzed by using Kirchoff's Law and the following equation results:

$$T_J = P_D (R_{\theta JC} + R_{\theta CS} + R_{\theta SA}) + T_A \quad (3)$$

- where T_J = junction temperature,

- P_D = power dissipation
 $R_{\theta JC}$ = semiconductor thermal resistance (junction to case),
 $R_{\theta CS}$ = interface thermal resistance (case to heat-sink),
 $R_{\theta SA}$ = heat sink thermal resistance (heatsink to ambient),
 T_A = ambient temperature.

The thermal resistance junction to ambient is the sum of the individual components. Each component must be minimized if the lowest junction temperature is to result.

The value for the interface thermal resistance, $R_{\theta CS}$, may be significant compared to the other thermal resistance terms. A proper mounting procedure can minimize $R_{\theta CS}$.

The thermal resistance of the heatsink is not absolutely constant; its thermal efficiency increases as ambient temperature increases and it is also affected by orientation of the sink. The thermal resistance of the semiconductor is also variable; it is a function of biasing and temperature. Semiconductor thermal resistance specifications are normally at conditions where current density is fairly uniform. In some applications, such as in RF power amplifiers and short-pulse applications, current density is not uniform and localized heating in the semiconductor chip will be the controlling factor in determining power handling ability.

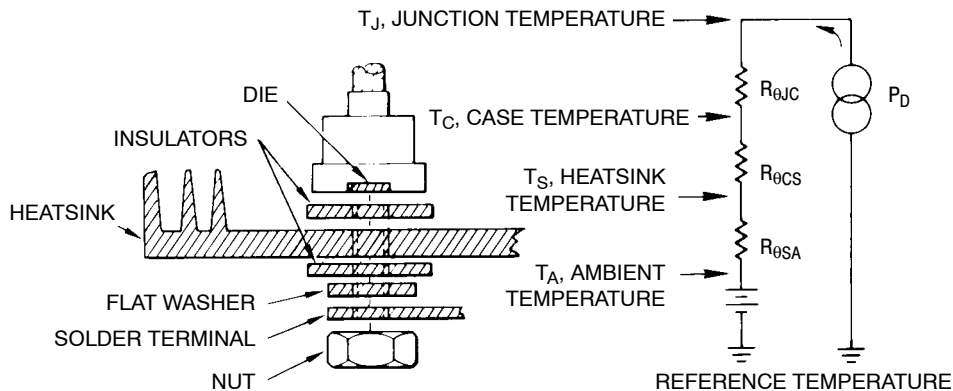


Figure 52. Basic Thermal Resistance Model Showing Thermal to Electrical Analogy for a Semiconductor

APPENDIX B MEASUREMENT OF INTERFACE THERMAL RESISTANCE

Measuring the interface thermal resistance $R_{\theta CS}$ appears deceptively simple. All that's apparently needed is a thermocouple on the semiconductor case, a thermocouple on the heatsink, and a means of applying and measuring DC power. However, $R_{\theta CS}$ is proportional to the amount of contact area between the surfaces and consequently is affected by surface flatness and finish and the amount of pressure on the surfaces. The fastening method may also be a factor. In addition, placement of the thermocouples can have a significant influence upon the results. Consequently, values for interface thermal resistance presented by different manufacturers are not in good agreement. Fastening methods and thermocouple locations are considered in this Appendix.

When fastening the test package in place with screws, thermal conduction may take place through the screws, for example, from the flange ear on a TO-3 package directly to the heatsink. This shunt path yields values which are artificially low for the insulation material and dependent upon screw head contact area and screw material. MIL-I-49456 allows screws to be used in tests for interface thermal resistance probably because it can be argued that this is "application oriented."

Thermalloy takes pains to insulate all possible shunt conduction paths in order to more accurately evaluate insulation materials. The **onsemi** fixture uses an insulated clamp arrangement to secure the package which also does not provide a conduction path.

As described previously, some packages, such as a TO-220, may be mounted with either a screw through the tab or a clip bearing on the plastic body. These two methods often yield different values for interface thermal resistance. Another discrepancy can occur if the top of the package is exposed to the ambient air where radiation and convection can take place. To avoid this, the package should be covered with insulating foam. It has been estimated that a 15 to 20% error in $R_{\theta CS}$ can be incurred from this source.

Another significant cause for measurement discrepancies is the placement of the thermocouple to measure the semiconductor case temperature. Consider the TO-220 package shown in 53. The mounting pressure at one end causes the other end – where the die is located – to lift off the mounting surface slightly. To improve contact, **onsemi** TO-220 Packages are slightly concave. Use of a spreader bar under the screw lessens the lifting, but some is inevitable with a package of this structure. Three thermocouple locations are shown:

1. The **onsemi** location is directly under the die reached through a hole in the heatsink. The thermocouple is held in place by a spring which forces the thermocouple into intimate contact with the bottom of the semi's case.

2. The JEDEC location is close to the die on the top surface of the package base reached through a blind hole drilled through the molded body. The thermocouple is swaged in place.
3. The Thermalloy location is on the top portion of the tab between the molded body and the mounting screw. The thermocouple is soldered into position.

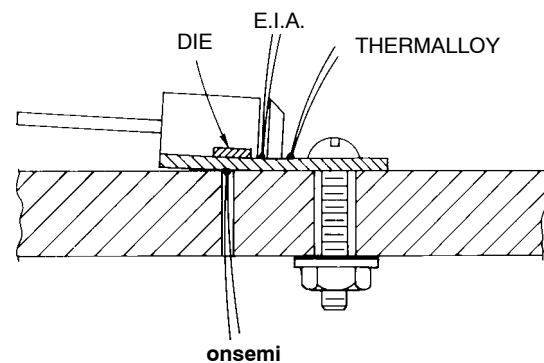


Figure 53. JEDEC TO-220 Package Mounted to Heatsink Showing Various Thermocouple Locations and Lifting Caused by Pressure at One End

Temperatures at the three locations are generally not the same. Consider the situation depicted in the figure. Because the only area of direct contact is around the mounting screw, nearly all the heat travels horizontally along the tab from the die to the contact area. Consequently, the temperature at the JEDEC location is hotter than at the Thermalloy location and the **onsemi** location is even hotter. Since junction-to-sink thermal resistance must be constant for a given test setup, the calculated junction-to-case thermal resistance values decrease and case-to-sink values increase as the "case" temperature thermocouple readings become warmer. Thus, the choice of reference point for the "case" temperature is quite important.

There are examples where the relationship between the thermocouple temperatures are different from the previous situation. If a mica washer with grease is installed between the semiconductor package and the heatsink, tightening the screw will not bow the package; instead, the mica will be deformed. The primary heat conduction path is from the die through the mica to the heatsink. In this case, a small temperature drop will exist across the vertical dimension of the package mounting base so that the thermocouple at the EIA location will be the hottest. The thermocouple temperature at the Thermalloy location will be lower, but close to the temperature at the EIA location as the lateral heat flow is generally small. The **onsemi** location will be coolest.

The EIA location is chosen to obtain the highest temperature on the case. It is of significance because power

SOLDERRM

ratings are supposed to be based on this reference point. Unfortunately, the placement of the thermocouple is tedious and leaves the semiconductor in a condition unfit for sale.

The **onsemi** location is chosen to obtain the highest temperature of the case at a point where, hopefully, the case is making contact to the heatsink. Once the special heatsink, to accommodate the thermocouple has been fabricated, this method lends itself to production testing and does not mark the device. However, this location is not easily accessible to the user.

The Thermalloy location is convenient and is often chosen by equipment manufacturers. However, it also blemishes the case and may yield results differing up to 1°C/W for a TO-220 package mounted to a heatsink without thermal grease and no insulator. This error is small when compared to the thermal resistance of heat dissipaters often used with this package, since power dissipation is usually a few watts. When compared to the specified junction-to-case values of some of the higher power

semiconductors becoming available, however, the difference becomes significant and it is important that the semiconductor manufacturer and equipment manufacturer use the same reference point.

Another EIA method of establishing reference temperatures utilizes a soft copper washer (thermal grease is used) between the semiconductor package and the heatsink. The washer is flat to within 1 mil/inch, has a finish better than 63 μ-inch, and has an imbedded thermocouple near its center. This reference includes the interface resistance under nearly ideal conditions and is, therefore, application-oriented. It is also easy to use, but has not become widely accepted.

A good way to improve confidence in the choice of case reference point is to also test for junction-to-case thermal resistance while testing for interface thermal resistance. If the junction-to-case values remain relatively constant as insulators are changed, torque varied, etc., then the case reference point is satisfactory.

APPENDIX C Sources of Accessories

Manufacturer	Joint Compound	Adhesives	Insulators						Heatsinks	Clips
			BeO	AlO ₂	Anodize	Mica	Plastic Film	Silicone Rubber		
Aavid	-	-	-	-	-	-	X	X	X	X
AHAM-TOR	-	-	-	-	-	-	-	-	X	-
Asheville-Schoonmaker	-	-	-	-	-	X	-	-	-	-
Astrodynamicis	X	-	-	-	-	-	-	-	X	-
Delbert Blinn	-	-	X	-	X	X	X	X	X	-
IERC	X	-	-	-	-	-	-	-	X	-
Staver	-	-	-	-	-	-	-	-	X	-
Thermalloy	X	X	X	X	X	X	X	X	X	X
Tran-tec	X	-	X	X	X	X	-	X	X	-
Wakefield	X	X	X	-	X	-	-	X	X	X

Other Sources for silicone rubber pads: Chomerics, Bergquist

Suppliers Addresses

Aavid Engineering, Inc., P.O. Box 400, Laconia, New Hampshire 03247	(603) 524-1478
AHAM-TOR Heatsinks, 27901 Front Street, Rancho, California 92390	(714) 676-4151
Asheville-Schoonmaker, 900 Jefferson Ave., Newport News, VA 23607	(804) 244-7311
Astro Dynamics, Inc., 2 Gill St., Woburn, Massachusetts 01801	(617) 935-4944
Bergquist, 5300 Edina Industrial Blvd., Minneapolis, Minnesota 55435	(612) 835-2322
Chomerics, Inc., 16 Flagstone Drive, Hudson, New Hampshire 03051	1-800-633-8800
Delbert Blinn Company, P.O. Box 2007, Pomona, California 91769	(714) 623-1257
International Electronic Research Corporation, 135 West Magnolia Boulevard, Burbank, California 91502	(213) 849-2481
The Staver Company, Inc., 41-51 Saxon Avenue, Bay Shore, Long Island, New York 11706	(516) 666-8000
Thermalloy, Inc., P.O. Box 34829, 2021 West Valley View Lane, Dallas, Texas 75234	(214) 243-4321
Tran-tec Corporation, P.O. Box 1044, Columbus, Nebraska 68601	(402) 564-2748
Wakefield Engineering, Inc., Wakefield, Massachusetts 01880	(617) 245-5900

PACKAGE INDEX

PREFACE

When the JEDEC registration system for package outlines started in 1957, numbers were assigned sequentially whenever manufacturers wished to establish a package as an industry standard. As minor variations developed from these industry standards, either a new, non-related number was issued by JEDEC or manufacturers would attempt to relate the part to an industry standard via some appended description.

In an attempt to ease confusion, JEDEC established the present system in late 1968 in which new packages are assigned into a category, based on their general physical appearance. Differences between specific packages in a

category are denoted by suffix letters. The older package designations were re-registered to the new system as time permitted.

For example the venerable TO-3 has many variations. Can heights differ and it is available with 30, 40, 50, and 60 mil pins, with and without lugs. It is now classified in the TO-204 family. The TO-204AA conforms to the original outline for the TO-3 having 40 mil pins while the TO-204AE has 60 mil pins, for example.

The new numbers for the old parts really haven't caught on very well. It seems that the DO-4, DO-5 and TO-3 still convey sufficient meaning for general verbal communication.

ON Case Number	JEDEC Outline		Notes	Mounting Class
	Original System	Revised System		
001	TO-3	TO-204AA		Flange
003	TO-3		2	Flange
009	TO-61	TO-210AC		Stud
011	TO-3	TO-204AA	-	Flange
011A	TO-3	-	2	Flange
012	TO-3	-	2	Flange
036	TO-60	TO-210AB	-	Stud
042A	DO-5	DO-203AB	-	Stud
044	DO-4	DO-203AA	-	Stud
054	TO-3	-	2	Flange
056	DO-4	-	-	Stud
058	DO-5	-	2	Stud
61-04				Flange
63-02	TO-64	TO-208AB		Stud
63-03	TO-64	TO-2088AB		Stud
077	TO-126	TO-225AA	-	Plastic
080	TO-66	TO-213AA	-	Flange
086	-	TO-208	1	Stud
086L	-	TO-298	1	Stud
144B-05				Stud
145A-09				Stud
145A-10				Stud
145C	TO-232		1	Stud
157	-	DO-203	1	Stud
160-03	TO-59	TO-210AA	-	Stud
167	-	DO-203	1	Stud
174-04				Pressfit

Notes: 1. Would fit within this family outline if registered with JEDEC.
2. Not within all JEDEC dimensions.

ON Case Number	JEDEC Outline		Notes	Mounting Class
	Original System	Revised System		
175-03				Stud
197	-	TO-204AE	-	Flange
211-07				Flange
211-11				Flange
215-02				Flange
221	-	TO-220AB	-	Tab
221C-02				Plastic
221D-02	-	-	Isolated TO-220	Plastic
235	-	TO-208	1	Stud
235-03				Stud
238	-	TO-208	1	Stud
239	-	TO-208	-	Stud
244-04				Stud
245	DO-4	-	-	Stud
257-01	DO-5	-	-	Stud
263	-	TO-208	-	Stud
263-04				Stud
283	DO-4	-	-	Stud
289	-	TO-209	1	Stud
305-01				Stud
310-02				Pressfit
311-02			Isolated	Stud
311-02				Pressfit
311-02				Stud
314B-03				Tab

ON Case Number	JEDEC Outline		Notes	Mounting Class
	Original System	Revised System		
314D-03				Tab
316-01				Flange
319-06				Flange
328A-03				Flange
332-04				Stud
333-04				Flange
333A-02				Flange
336-03				Flange
337-02				Flange
340		TO-218AC		Tab
340A-02				Plastic
340B-03			Isolated TO-218	Plastic
342-01				Flange
357B-01				Flange
361-01				Flange
368-02				Flange
369-06		TO-251		Insertion
369A-12		TO-252		Surface
373-01			Isolated	Flange
383-01			Isolated	Flange
387-01		TO-254AA	Isolated 2	Tab
388A-01		TO-258AA	Isolated 2	Tab
744-02				Flange
744A-01				Flange
043-07	DO-21	DO-208AA		Pressfit

- (1) MIL-HANDBOOK - 2178, SECTION 2.2.
- (2) "Navy Power Supply Reliability - Design and Manufacturing Guidelines" NAVMAT P4855-1, Dec. 1982 NAVPUBFORCEN, 5801 Tabor Ave., Philadelphia, PA 19120.
- (3) Catalog #87-HS-9, (1987), page 8, Thermalloy, Inc., P.O. Box 810839, Dallas, Texas 75381-0839.
- (4) ITW Shakeproof, St. Charles Road, Elgin, IL 60120.
- (5) Robert Batson, Elliot Fraunglass and James P Moran, "Heat Dissipation Through Thermalloy Conductive Adhesives," EMTAS '83. Conference, February 1 - 3, Phoenix, AZ; Society of Manufacturing Engineers, One SME Drive, P.O. Box 930, Dearborn, MI 48128.

- (6) Catalog, Edition 18, Richco Plastic Company, 5825 N. Tripp Ave., Chicago, IL 60546.
- (7) Herb Fick, "Thermal Management of Surface Mount Power Devices," Powerconversion and Intelligent Motion, August 1987.

Flip Chip CSP Packages AND8081/D

Introduction to Chip Scale Packaging

This application note provided guidelines for the use of Chip Scale Packages related to mounting devices to a PCB. Included is information on PCB layout for Systems Engineers and manufacturing processes for Manufacturing Process Engineers.

Package Overview

Flip Chip CSP “Package” Overview

Chip Scale Packages offered by onsemi represent the smallest footprint size since the package is the same size as the die. onsemi offers several types of CSPs. This application note covers only those with larger solder bumps.

Flip Chip CSP bumped die are created by attaching solder spheres to the I/O pads of the active side of the wafer. The I/O layout may be either in peripheral or array format. A redistribution layer may be used to reroute the device pads to the bump pads.

Solder bumps allow compatibility of the package connections with standard surface mount technology pick and place and reflow processes and standard flip chip mounting systems. The larger solder bumps of the Flip Chip CSP require no underfill for increased reliability performance. Solder bumps are primarily Pb-free however eutectic SnPb solder is available.

Devices designed with smaller bumps generally have a peripheral pad layout and tighter spacing. In this case, underfill is recommended to improve board level solder joint reliability.

Package Construction and Process Description

Flip Chip CSPs are created at the wafer level. Upon completion of standard wafer processing, a polymeric Repassivation layer is applied to the wafer, leaving the bonding pads exposed. In the case where bumps are formed directly over the device bonding pads (Bump on I/O), an under bump metallization (UBM) is applied to the bonding pads to provide an interface between the die pad metallization and the solder bump. The UBM may be a sputtered AlNiVCu thin film or an electroplate Cu. In the case where the solder bumps are offset from the device bonding pads, a plated RDL trace is applied to connect the device bonding pad to the UBM. Solder spheres are placed on each exposed UBM pad and reflowed to create an interconnection system ready for board assembly.

Once the bumps are reflowed, wafers are laser marked, electrically tested, sawn into individual die, and packed in tape and reel, bumps down. A typical Flip Chip CSP is

represented in Figure 54. Total device thickness varies, depending on customer requirements.

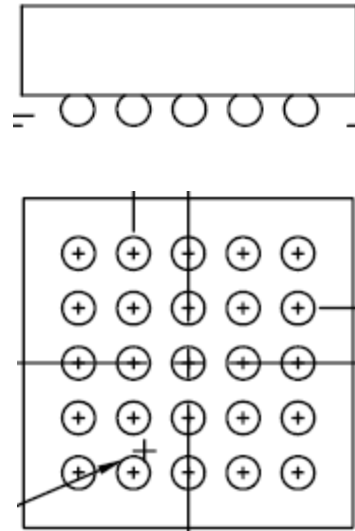


Figure 54. Daisy Chain Flip Chip CSP

Printed Circuit Board Design

Recommended PCB Layout

Two types of land patterns are used for surface mount packages – non-solder mask defined (NSMD) and solder mask defined (SMD), as shown in Figure 55. For SMD configured pads, the solder mask covers the outsider perimeter of the circular contact pads, thus limiting the solder connection to only the top surface of the exposed pads. For NSMD pads, the solder mask opening is larger than the contact pad, leaving a gap between the solder mask and Cu pad. NSMD pads are preferred due to better dimensional control of the copper etch process as compared with the solder mask etch process. The solder bumps adhere to the NSMD pad wall as the pad surface, providing additional mechanical strength and solder joint fatigue life. SMD pad definition introduces increased levels of stress near the solder mask overlap region which may result in solder joint fatigue cracking in extreme temperature cycling conditions. The smaller NSMD pads also provide more room for escape routing on the PCB since they can be smaller diameter than the SMD pads.

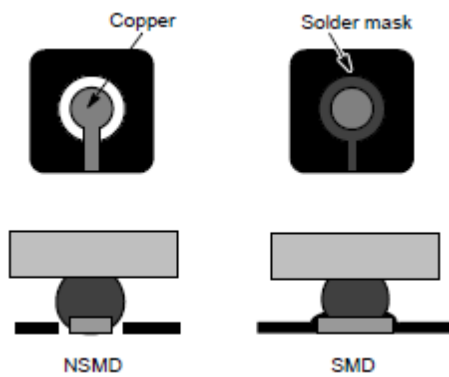


Figure 55. NSMD vs. SMD Pads

A copper layer thickness of less than 1 oz (30 μm) is recommended to maintain a maximum stand-off height for maximum solder joint fatigue life.

Micro-via pads should be NSMD to ensure adequate wetting area of the copper pad.

Corner traces should approach outer pads either laterally or perpendicularly, not diagonally.

A summary of recommended design parameters is found in Table 4.

Table 4. PCB ASSEMBLY RECOMMENDATIONS

Parameter	500 μm Pitch 300 μm Solder Sphere	400 μm Pitch 250 μm Solder Sphere	400 μm Pitch 200 μm Solder Sphere
PCB Pad Size	250 μm + 25 – 0	229 μm + 25 – 0	229 μm + 25 – 0
Pad Shape	Round	Round	Round
Pad Type	NSMD	NSMD	NSMD
Solder Mask Opening	350 μm ± 25	305 ± 25	305 ± 25
Solder Stencil Thickness	125 μm	100 μm	100 μm
Stencil Aperture	250 x 250 μm	200 x 200 μm	200 x 200 μm
Solder Flux Ratio	50/50	50/50	50/50
Solder Paste Type	No Clean Type 4 or Finer	No Clean Type 5	No Clean Type 5
Trace Finish	OSP Cu or NiAu	OSP Cu or NiAu	OSP Cu or NiAu
Trace Width	150 μm max	100 – 125 μm	100 – 125 μm

PCB Recommendations for Fine Pitch Flip Chip Technology

When using flip-chip products with a pitch smaller than described in Table 4, the process capability as well as PCB pad configuration must be considered.

The IC pad layout provided by the IC manufacturer combined with the bumping rules ensure consistent and reliable PCB Pad connections.

Fine Pitch SMD Pads

To provide the maximum solder mask web between flip chip pads and provide the most consistent bump formation, it is preferred for fine pitch flip chip components to be designed using solder mask defined (SMD) pads.

SMD pads are designed with solder mask overlapping the copper pads. This provides a dam for the solder and improves bump consistency for fine pitch and small bump diameter.

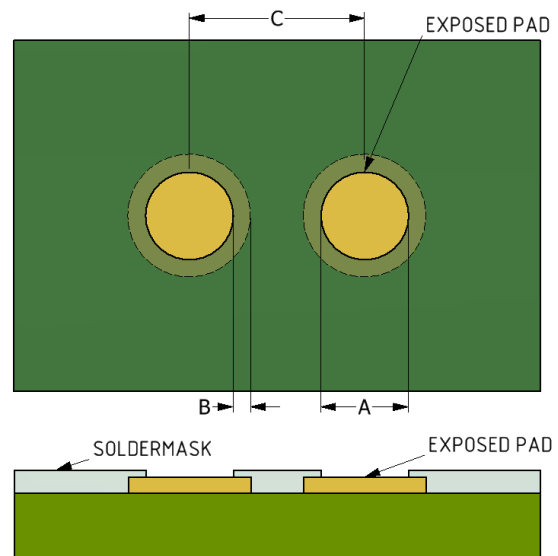


Figure 56. Fine Pitch SMD Pads

Table 5. FINE PITCH SMD BUMP PAD DESIGN (Note 2)

SMD Bump Pad Design	Bump Diameter	Mask Opening Diameter
Exposed pad diameter = 80 – 100% of Device UBM (Under Bump Metallurgy) diameter		
A – Solder Print Application	≥180 μm	150 μm
	120 μm – 180 μm	130 μm
	≤120 μm	120 μm
B – Solder Mask Overlap	Min	35 μm (Note 1)
C – Bump Pitch	Min	200 μm

1. Solder mask overlap is SR registration rule by substrate manufacturer, adjust as required.
2. Refer to Figure 56 for dimensions.

Fine Pitch Solder Stencil Design

Table 6. FINE PITCH SOLDER STENCIL DESIGN

Stencil Thickness	50 μm laser cut, with Nano-coating advised
Stencil Aperture	Size for size to the metal opening as above (A-dimension).
Solder Type	Type 5 recommended

PCB I/O Contacts Surface Finish Characteristics

Organic Solderability preservative (OSP) Cu or electroless nickel immersion gold pad finish can be used. The Au thickness should not exceed 0.127 μm to minimize formation of brittle AuSn intermetallics which may compromise solder joint integrity. HASL (Hot Air Solder Leveled) finish is not recommended due to inconsistent solder volume deposition on each pad.

Solder Assembly Recommendations

SMT Process Flow

Surface mount assembly operations include printing solder paste onto the PCB.

Solder Paste Characteristics

Type 5 (15 – 25 μm powder) ANSI/J–STD–005 compliant solder paste is suggested. No clean solder paste is recommended. Metal loading is about 88.5 wt%.

Solder Stencil and Printing

Stencils should be laser cut with an electro-polished finish. Stencil thickness and recommended opening sizes

are given in Table 4. Solder paste height, uniformity, registration and proper placement should be monitored.

Package Placement

Standard pick and place machines can be used for placing CSPs. Such placement equipment falls into two categories: a vision system to locate the package silhouette commonly known as a chip shooter, or a fine pitch vision system to locate individual bumps. It is preferable to use vision systems employing solder bump recognition for improved placement accuracy, although throughput is reduced. Little or no force should be exerted on the CSP during placement.

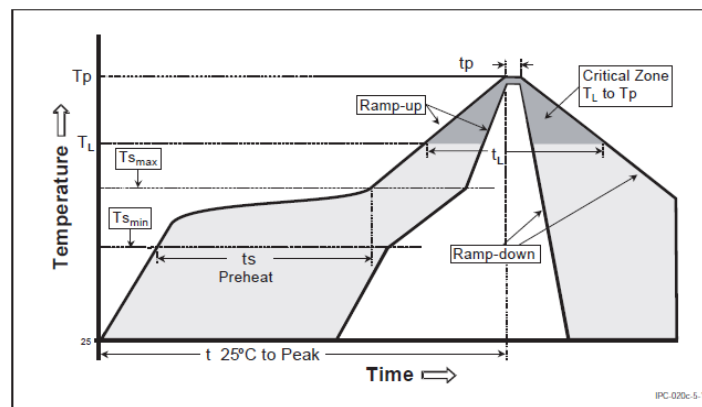
Solder Paste Reflow and Cleaning

When cleaning a No-clean or RMA flux residue, semi-aqueous solvents, saponified water, alcohols and other CFC-free alternatives may be used to sufficiently remove all residue. If cleaning a water soluble flux residue, spray and immersion should be sufficient to remove all ionic contamination and residue.

IR Reflow Profile

Pb-Free CSPs are compatible with the recommended Pb-Free reflow profile found in JEDEC J–STD–020. An optimized profile should be determined using the solder paste manufacturer’s recommendations.

Pb-Free CSPs should not be reflowed in conjunction with eutectic SnPb solder paste as this will compromise board level reliability.



Profile Feature	Pb-Free Assembly
Average Ramp-Up Rate (T _{s_max} to T _p)	3° C/second max.
Preheat <ul style="list-style-type: none"> – Temperature Min (T_{s_min}) – Temperature Max (T_{s_max}) – Time (t_{s_min} to t_{s_max}) 	150 °C 200 °C 60-180 seconds
Time maintained above: <ul style="list-style-type: none"> – Temperature (T_L) – Time (t_L) 	217 °C 60-150 seconds
Peak/Classification Temperature (T _p)	See Table 4.2
Time within 5 °C of actual Peak Temperature (t _p)	20-40 seconds
Ramp-Down Rate	6 °C/second max.
Time 25 °C to Peak Temperature	8 minutes max.

Figure 57. Typical Reflow Profile for Pb-Free Solder (J-STD-020C)

Solder Joint Inspection

Inspection of solder joints is commonly performed with an x-ray inspection system. The x-ray system is used to locate open contacts, shorts between pads, solder voids, and extraneous solder. A cross section of a typical flip chip solder joint is shown below in Figure 58.

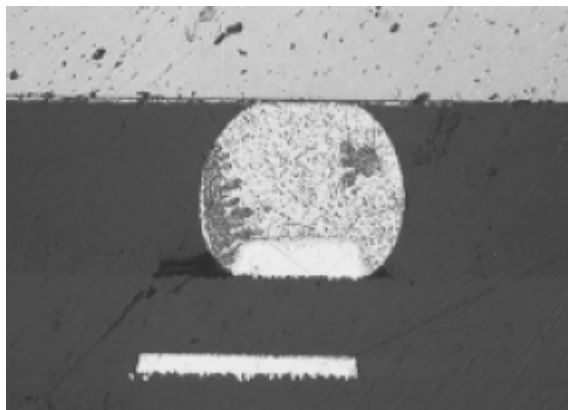


Figure 58. Cross Section of Flip Chip Solder Bump

Underfill

Underfill is not required for Flip Chip devices constructed with solder spheres 200 μm or larger. Solder joint reliability tests have shown parts to pass temperature cycling tests without the need for further encapsulation. These devices can, however, withstand dispense of an underfill as long as the process temperature does not exceed 175°C for up to 5 minutes.

Rework Process

The rework procedure is similar to that used for most BGAs and CSPs. Key steps include:

3. CSP removal uses localized heating which duplicates the original reflow profile used for assembly.
4. The reject CSP can be removed once the temperature exceeds the liquidus temperature of the solder.
5. Additional solder paste should be applied to the cleaned pads prior to component placement.

SOLDERRM

- A new part is picked up using a vacuum needle pick-up tip and placed onto the board.
- The replacement part is reflowed to the board using the same reflow profile as used in assembly. The reflow process should include localized convection heating and pre-heat from the bottom.

onsemi CSP Reliability Test Data

Board Level CSP Package Reliability

onsemi performed solder joint fatigue testing on Flip Chip CSP daisy chain structures per IPC-SM-785 Guidelines for

Accelerated Reliability Testing of Surface Mount Attachments. The test vehicle is a 5 x 5 array of solder bumps, spaced at pitches of 0.5 mm or 0.4 mm. Devices were assembled with Type 5 SAC305 solder paste to 0.032" thick 4-layer high temperature FR4 test boards designed with NiAu NSMD pads. Boards were temperature cycled from -40°C to 125°C (about 2 cycles / hr) and continuously monitored for changes in resistance. The temperature cycling profile is found in Figure 59 below. Table 2 summarizes some daisy chain CSP solder joint reliability tests.

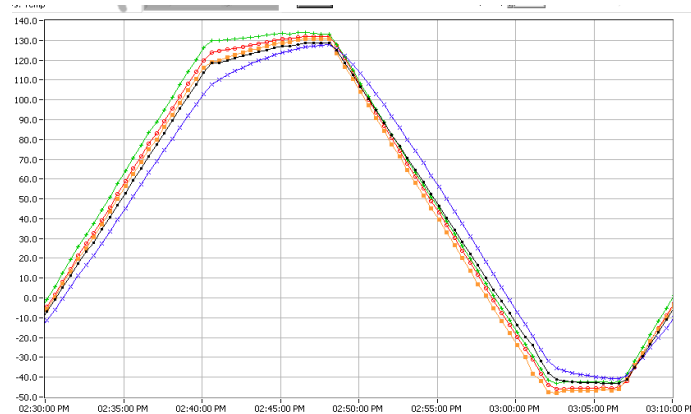


Figure 59. Typical Temperature Cycling Profile for Solder Joint Fatigue Testing

Test results show that first failure for both the 400 μm and 500 μm pitch 5 x 5 daisy chain arrays is greater than

1000 cycles. A Weibull Plot of the solder joint fatigue data for these daisy chain devices is shown below in Figure 60.

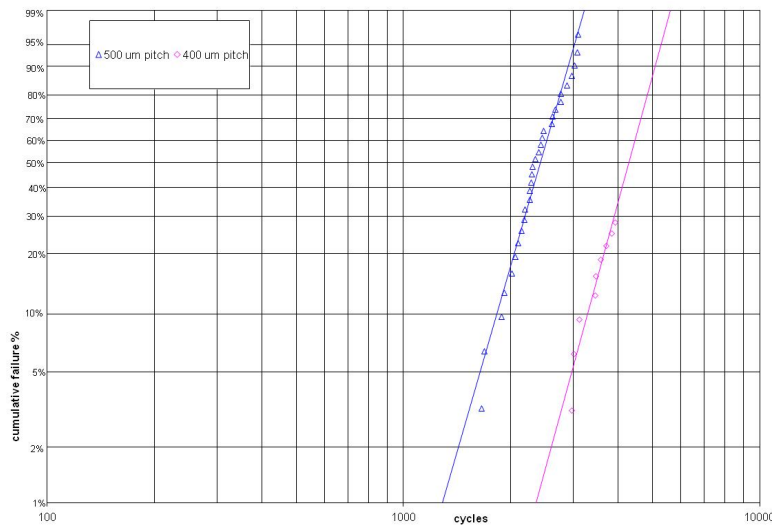


Figure 60. Weibull Plot of 400 μm /500 μm Pitch Daisy Chain Device Cumulative Temp Cycle Failure Rate

Tape and Reel Specifications and Labeling Description

All Flip Chip CSPs are shipped in tape and reel compliant with industrial standard EIA-481 and per onsemi Tape and

Reel Packaging Specification document BRD8011-D. Tape and reel construction is given in Figure 61 below.

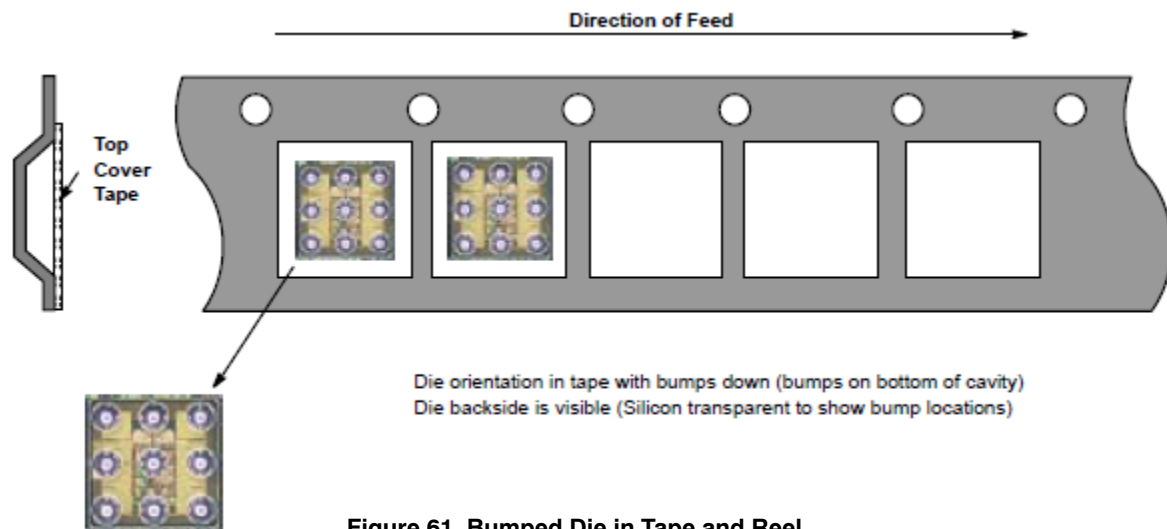


Figure 61. Bumped Die in Tape and Reel

The SMD pick and place machines should pick up the component from the point which is located in the center of two adjacent sprocket holes in the feeding direction. This must be taken into account when designing the location of the component in the Tape and Reel pocket.

Tape Material: Embossed (ie. blister)

Reel Size: Standard reel diameter is 7 inches (178 mm) for all 8 mm tape

Reel material: Plastic

Device Orientation: Pin 1 placed closest to sprocket holes

The cavity is designed to provide sufficient clearance surrounding the component so that:

1. The part does not protrude beyond either surface of the carrier tape.

2. The part can be removed from the cavity in a vertical direction without mechanical restriction after the top cover tape has been removed.
3. Rotation of the part is limited to 20° maximum.
4. Lateral movement of the part is restricted to 0.05 mm maximum.

Tape with or without parts shall pass around radius R without damage.

Barcode labeling (if required) shall be on the side of the reel opposite the sprocket holes.

Soldering Image Sensors into Printed Circuit Boards

Image sensor devices require special considerations when soldering to printed circuit boards.

Image sensors with filter arrays (CFA) and/or microlens are especially sensitive to high temperatures. Prolonged heating at elevated temperatures may result in deterioration of the performance of the sensor.

The cover glass with or without anti-reflection filters, is sensitive to contamination. Avoid spilling solder flux on the cover glass; bare glass and particularly glass with antireflection filters may be adversely affected by the flux. Avoid mechanical or particulate damage to the cover glass.

Refer to the Application Note *Image Sensor Handling and Best Practices* for additional information on glass cleaning techniques.

ELECTROSTATIC DAMAGE

Device placement onto boards should be done in accordance with strict ESD controls for Class 0, JESD22 Human Body Model, and Class A, JESD22 Machine Model devices.

Assembly operators should always wear all designated and approved grounding equipment; grounded wrist straps at ESD protected workstations are recommended including the use of ionized blowers. All tools should be ESD protected.

Refer to the Application Note *Image Sensor Handling and Best Practices*.

BOARD ASSEMBLY

In order to develop a suitable assembly process **onsemi** offers Engineering Grade devices for process development. These devices are functional but may have cosmetic defects that exceed specification.

MANUAL SOLDERING—PINNED OR LEADED DEVICES

When a soldering iron is used to solder devices to a through-hole board the following conditions should be observed:

1. Use a soldering iron with temperature control at the tip. (30 – 80 W soldering iron.)
2. The soldering iron tip temperature should not exceed 350 – 370°C.
3. The soldering period for each pin should be less than 3 seconds.

REFLOW SOLDERING

TIN/LEAD EUTECTIC SOLDERING

Figure 62 shows a stylized temperature profile for a reflow soldering system with 60/40 Tin/Lead eutectic solder.

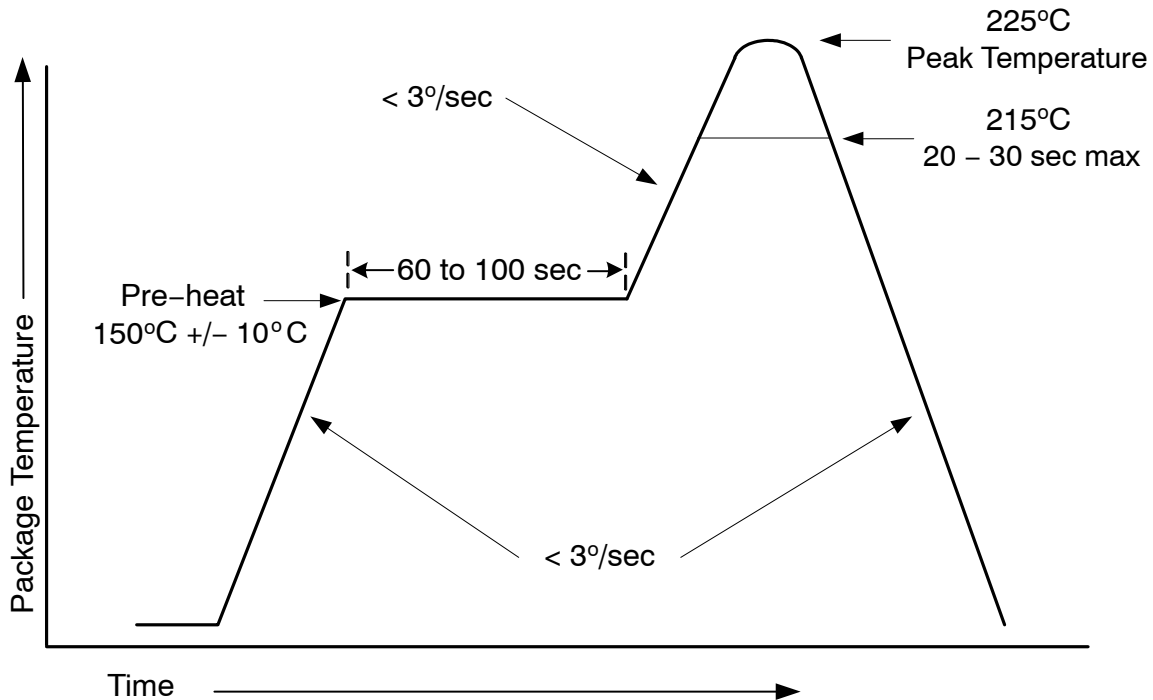


Figure 62. Soldering Temperature/Time Profile

In a 7-zone, muffle furnace the profile used for confirmation of device solderability using 60/40 tin/lead solder is shown in Figure 63. The maximum temperature is 238 °C.

LEAD-FREE SOLDERING

The SAC 305 alloy requirement for temperature was used to confirm the surface mount device compatibility with lead-free requirements. The 7-zone, muffle furnace profile used is shown in Figure 64 where the maximum temperature is 260 °C. Other tests have been run up to 265 °C without device degradation.

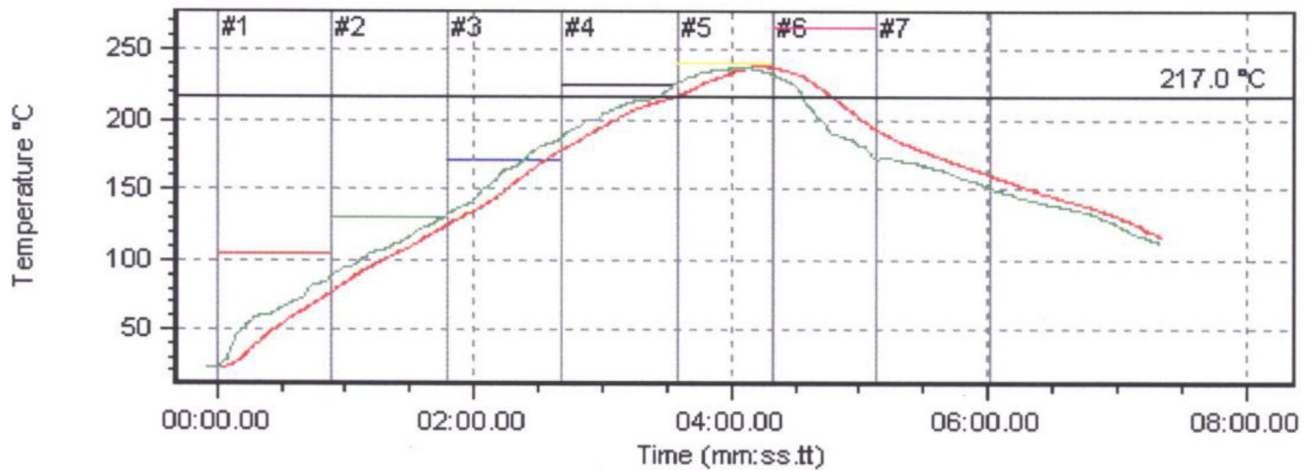


Figure 63. Tin/Lead Solder Profile

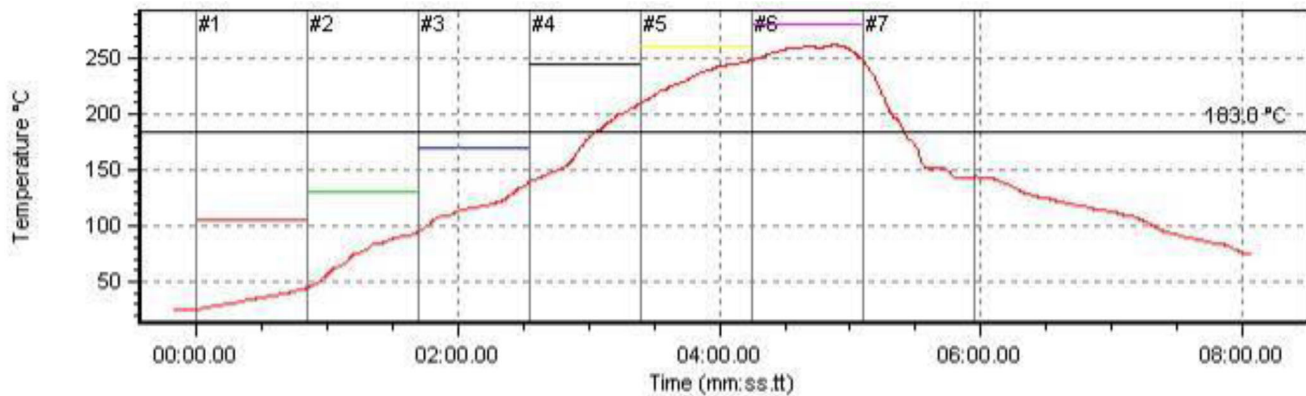


Figure 64. Lead-Free SAC 305 Solder Profile

REFERENCES

1. JEDEC Standard: J-STD-020 “Moisture/Reflow Sensitivity Classification for Non-Hermetic Solid State Surface Mount Devices”

How to Store, Reflow and Solder onsemi Hybrids AND8493/D

REFLOW INTRODUCTION

Storage and Shelf Life

Devices are classified according to their Moisture Sensitivity Level (MSL). There are several different MSL levels. Each vary in the maximum allowable time they can be exposed to ambient conditions. Some common MSL levels and room air exposure times are illustrated in Table 7. Typical moisture sensitive devices include: reflowable hybrids and any component packaged in a bag labelled as containing moisture sensitive devices. The moisture sensitivity level will be indicated on the product packaging.

Table 7. TIME ALLOWED IN LAB ATMOSPHERE FOR VARIOUS MSL LEVELS (<30°C, <60% RH) *Refer to J-STD-033 for more detail.

MSL Level	Time Allowed in Lab Atmosphere
2A	4 weeks
3	168 hours
4	72 hours

General Handling and Storage Precautions

- All moisture sensitive components must be kept in a nitrogen storage area* and/or in a sealed Moisture Barrier Bag (MBB) containing a Humidity Indicator Card** when not in use.
- Once the MBB has been opened, the parts need to be reflowed onto product, as specified, within the allowed time.
- Any remaining exposed parts must be dry baked for a minimum of 16 hours at 125°C ±5°C before storage again in MBB, unless otherwise noted in the datasheet.
- Hybrid parts stored and handled in this manner will maintain a shelf life that exceeds 6 years.

Reflow

onsemi's SIP modules are laminate based hybrids housing integrated circuits, and discrete components. The

package may use flip chip technology, wire bond technology and surface mount technology to connect various devices to a board. The hybrid inputs and output pad are SAC305 solder bumped on copper pads, with the typical spacing between adjacent input/output pads of 0.25 mm (10 mil).

onsemi's hybrid circuits that can be reflowed on to alumina, flex and FR4 materials use conventional reflow methods. The following information is to provide assistance to design and production personnel in the attachment of hybrid packages onto printed circuit boards or alumina substrates.

HYBRID CONFIGURATION

* Materials not sealed in a moisture barrier bag must be kept in a dry nitrogen cabinet under the following conditions:

- Temperature: 25 ±5°C
- Relative Humidity: less than 10% RH

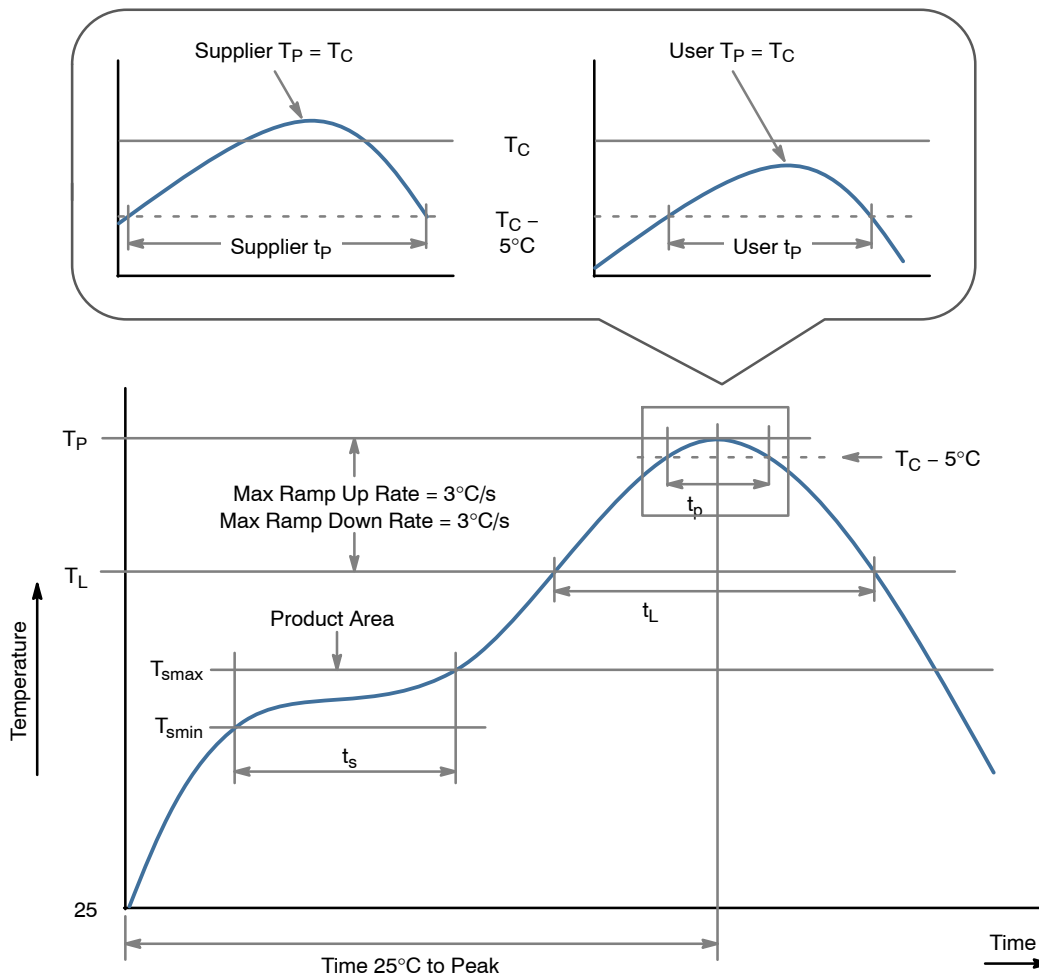
** When removing components from a MBB, immediately evaluate the colours of the dots. If the 10% relative humidity dot is not blue, this is an indication that the parts have been exposed to an uncontrolled environment.

WARNING: THE ROOM ENVIRONMENT CAN CHANGE THE COLOUR OF THIS LABEL. IT IS IMPORTANT TO VERIFY THE COLOUR IMMEDIATELY UPON OPENING THE PACKAGE.

(RoHS Compliant SIP Modules – Hybrids)

All SIP modules (Hybrids) are RoHS compliant with copper pads tinned with the SAC305, (96.5 Sn/3.0 Ag/0.5 Cu) solder alloy. The height of the solder above the copper pad is typically 0.100 mm (4 mil).

Unless otherwise stated in the product datasheet, the maximum reflow temperature of the assembly must not exceed 260°C as measured on the top of the device package according to IPC/JDEC J-STD-020.



Profile Feature	Sn-Pb Eutectic Assembly	Pb-Free Assembly
Preheat/Soak Temperature Min (T_{smin}) Temperature Max (T_{smax}) Time (t_s) from (T_{smin} to T_{smax})	100°C 150°C 60-120 seconds	150°C 200°C 60-120 seconds
Ramp-up Rate (T_L to T_P)	3°C/second max.	3°C/second max.
Liquidous Temperature (T_L) Time (t_L) Maintained above T_L	183°C 60-150 seconds	217°C 60-150 seconds
Time (t_p)* within 5°C of the Specified Classification Temperature (T_C)**, see Reflow Soldering Profile above	20* seconds	30* seconds
Ramp-down Rate (T_P to T_L)	6°C/second max.	6°C/second max.
Time 25°C to Peak Temperature	6 minutes max.	8 minutes max.

*Tolerance for peak profile temperature (T_P) is defined as a supplier minimum and a user maximum.

Figure 65. RoHS Compliant Hybrids

NOTE: It is recommended to refer to the product datasheet for MSL rating verification and peak reflow temperature rating. MSL classification was designed for reflow operation and it is good practice to follow the recommendations for point-to-point hand soldering as well.

Please note that every hybrid has an integrated circuit under the encapsulation, therefore ESD precautions should be taken at all times.

SOLDERRM

SUGGESTED ATTACHMENT LAND GEOMETRY FOR HYBRID

Packaged Devices

The recommended land size to which the hybrid package is to be reflowed, is 0.05 mm (2 mil) shorter per axis. For example, 0.5 x 0.5 mm (20 x 20 mil) pad on the hybrid should be reflowed on to a 0.45 x 0.45 mm (18 x 18 mil) pad on the carrier board. Carrier board lands larger than the size of hybrid I/O pads should be avoided. Refer to Figure 66 for optimal joint geometry.

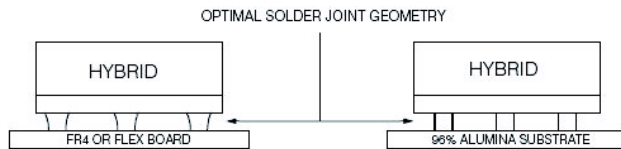


Figure 66. Solder Joint Geometry

Suggested Stencil Design

The stencil apertures should be same size as the land sizes on the carrier board. Because of the fine pitch of the I/O pads on hybrids – typical 0.25 mm (10 mil) space between two pads – it is recommended that a metal stencil be used instead of a wire mesh screen. The stencil should be 0.15 mm (4 mil) thick, with the pattern obtained by a chemical etching or a laser machining process. If chemical etching is used the stencil should be etched from both sides.

Solder Application Equipment

Several solder deposition methods are used by the industry to transfer solder onto board lands. One of the most common methods is a stencil to print solder onto carrier lands. It is recommended that the solder should be applied to the carrier board using a solder printer with controlled process parameters. A 90 durometer or harder squeegee should be used to ensure proper print resolution and deposited solder thickness. Adequate board-holding tooling should be used to ensure that an even thickness of solder paste is deposited throughout the printed area. Unsupported areas normally print thick and are therefore prone to solder bridges and other solder joint defects.

Solder Printing Using Semiautomatic Screen Printer

To proceed with the solder printing cycle, the operator places the carrier board on the board holding tooling. Vacuum is recommended to hold the board on the carriage. The operator starts the print cycle and prints a substrate. After the print cycle, the printed board is inspected for printed solder paste defects. It is recommended to check the solder paste thickness periodically to ensure uniform process yield. The board is now ready for placement of the surface mount components and hybrid devices.

Solder Reflow

The hybrid can be easily soldered to the board using industry standard solder reflow techniques. The typical minimum and maximum temperature profiles used to reflow **onsemi** hybrids is illustrated in Figure 65 for RoHS compliant hybrids. The hybrids reflow well with RMA or no-clean fluxes in air and inert (N₂) atmospheres. The finish on Cu landing pads evaluated at **onsemi** for RoHS compliant hybrids was ENIG (Electroless Nickel Immersion Au).

Recommended Steps in Assembly

Step 1: Solder Paste Application

Solder paste is deposited onto the board using a stencil and semiautomatic solder printer. Important variables include the following:

- Age of solder paste
- Time between solder paste application and reflow
- Deposited solder registration accuracy and consistency of solder paste thickness during printing process

It is recommended that the maximum misregistration of solder paste to the land on the board in X or Y direction should not be more than 0.05 mm (see Figure 67). A solder paste thickness of 125 to 175 μ m is recommended.

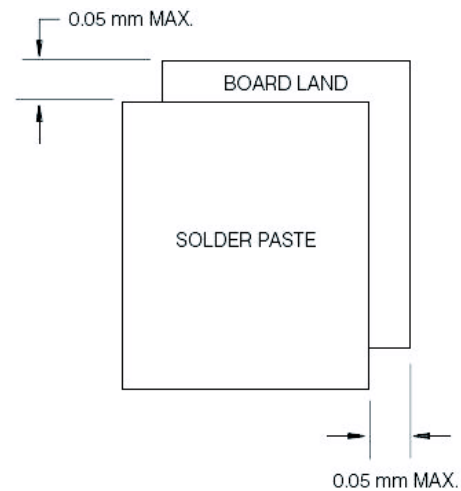


Figure 67. Solder Paste Application

Step 2: Hybrid Placement

For prototype applications or low volume applications, hybrids can be placed using tweezers. Alignment fiducials should be designed on the carrier board to assist in accurately placing hybrids. Refer to Figure 68 for reference fiducials' locations enabling easy and accurate placement of the device over the board lands. It is best to bring the device over the application area, then descend vertically in one movement to avoid smearing the solder paste. Make sure the

hybrid aligns to at least two corner fiducials. It is important to precisely position the device over the contact lands.

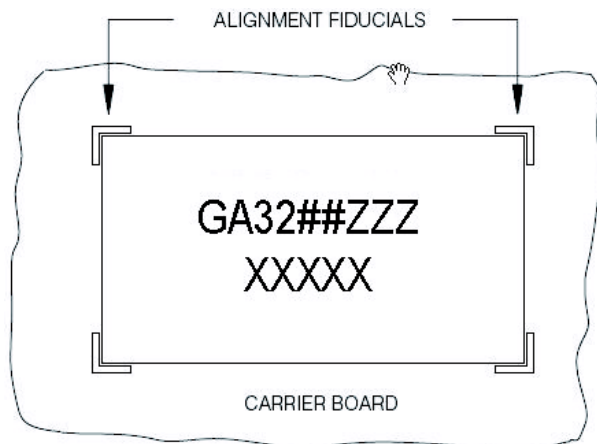


Figure 68. Alignment of Fiducials

For high volume production, a pick and place machine should be used. The pick and place machine should have vision capability with two attributes:

- Board error correction
- Hybrid pads to board land alignment capability

Adequate placement force should be applied to the hybrid device so that all the device pads contact the solder on the board lands. Excessive placement force will displace the wet solder under the device thus increasing the probability of solder bridging during reflow. Excellent results have been achieved using 10 g of placement force. It is important that the hybrid pads be aligned to the board land, rather than the deposited solder paste, to avoid cumulative placement error.

As shown in Figure 69, alignment tolerances must be sufficient to guarantee a maximum of 0.1 mm (4 mils) misalignment between hybrid pad and the board land.

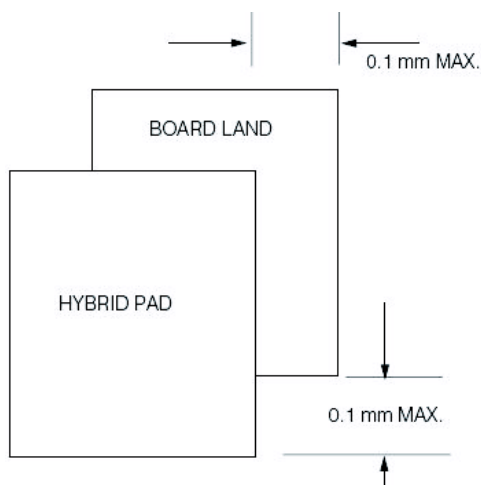


Figure 69. Hybrid Placement

Step 3: Solder Reflow

The carrier board can be heated to 25°C for RoHS compliant hybrids for reflow (as measured on the carrier board close to the hybrid device). It can be accomplished using any of the following techniques:

- Infra-red/convection reflow oven
- Vapour phase solder reflow

Most reflowable hybrids have chip capacitors under the encapsulant, therefore the rate of heating and cooling must be controlled to avoid thermal shock cracking of the chip capacitor devices.

Step 4: Cleaning of Solder Joints

Cleaning the reflowed hybrid circuit is the final step in this assembly process. The cleaning method will depend on the type of flux being used in the solder paste. For RMA based solder material, ultrasonic cleaning is preferred to remove any flux residues. Aqueous or semi-aqueous cleaning techniques may also be used.

Rework Precautions

The temperature of the hybrid unit must not exceed 260°C for RoHS compliant hybrids. The dwell time at peak temperature during rework should not exceed 15 seconds.

POINT TO POINT SOLDER INTRODUCTION

The purpose of this section is to provide technical advice regarding soldering lead wires and SMT (surface mountable) components to **onsemi**'s hybrids. Successful soldering to hybrids requires special care and equipment. The components mounted on the hybrids, the soldering pads and materials holding together the hybrids can be damaged by excessive heat.

General Soldering Recommendations

The soldering iron should be low power (25 watts) with a set temperature in the range of 385°C to 400°C (725°F to 750°F). Use a fine tip that has been pre-tinned. Keep the tip clean with a wet cellulose sponge. The tip of the soldering iron should be grounded to prevent electrical damage to the hybrid circuit during soldering (use an ESD safe soldering iron). When adding extra solder use SAC305 or SN100C solder wire. Normally the application of extra solder is not required. Leads to be attached should be pre-tinned using 100% Sn or SAC305 pre-tinned wires.

Do not attempt to solder 'solderable insulated wires' to hybrids without pre-tinning them. These wires should be pre-tinned either using a solder pot or soldering iron set to the correct temperature (usually around 345°C or 650°F) before the hybrid soldering operation. If SMT components are used, confirm that terminations have 100% Sn solder coating for RoHS compliant builds. Use of an optical microscope with at least x10 magnification is strongly recommended. **onsemi** does not recommend the use of thermal conductive fixtures (e.g., alumina or metal, etc.). These fixtures will heat sink the hybrid, therefore longer soldering times will be required to make the solder joints.

SOLDERRM

Longer soldering times usually result in poor quality solder joints and damaged hybrids.

Equipment and Materials Used at onsemi

- Soldering iron Weller EC4001 ESD
- Soldering iron tip Weller EPH101, 0.38 mm, conical tip

Soldering Procedure for Attaching Lead Wires to onsemi's Hybrids

1. Secure the hybrid firmly before soldering leads.
2. Dip the pre-tinned leads into liquid flux.
3. Clean the soldering iron tip on wet cellulose sponge.
4. Place the lead on to the solder pad and touch the lead with the soldering iron tip. If multiple lead wires are required to be attached to the same I/O pad, make sure to join the multiple leads together before soldering to the hybrid pad. The soldering time should be restricted to a maximum of 2 seconds. If the tip temperature is within the specified range, 2 seconds is adequate time. A minimum wait time of 3 seconds off of the solder pad is required before attaching a lead to the next pad.
5. Remove the soldering iron immediately and hold the lead wire in place with tweezers until the solder solidifies.
6. After soldering, the flux should be cleaned by following the flux manufacturer's specifications.

Soldering Procedure for Attaching SMT Components to onsemi's Hybrids

1. Secure the hybrid firmly before attaching SMT components.
2. Apply small amount of flux to the I/O pads.
3. Place the SMT component on the solder pads and hold the component in place with a pair of fine tip tweezers (minimize heat sinking).
4. Clean the soldering iron tip on wet cellulose sponge.
5. Simultaneously touch the termination and solder pad with the soldering iron tip. The soldering time should be restricted to a maximum of 2 seconds for each termination. If the tip temperature is within the specified range, 2 seconds is adequate time. Add solder to the soldering iron tip if required.
6. Remove the soldering iron immediately and hold the SMT component in place with tweezers until the solder solidifies. Repeat steps 4 and 5 for the other termination of the component.
7. After soldering, the flux should be cleaned by following the flux manufacturer's specifications.

Board Level Application Note for 0201 DSN2 0.6 x 0.3mm Package AND8398/D

Prepared by: Steve St. Germain, Roger Arbuthnot,
 Denise Thienpont, Lon Robinson, Darrell Truhitte
 onsemi

Introduction

onsemi's 0.6 x 0.3mm DSN (Dual Silicon No-lead) two pin package represents the latest in extremely small surface mount packaging technology. Due to the small size of the package, it is important that the mounting process follow the suggested guidelines outlined in this document. This includes printed circuit board mounting pads, the soldermask and stencil pattern, and the assembly process parameters.

Package Overview

The DSN2 package is a chip level package using solderable metal contacts under the package similar to DFN style packages. The DSN style package enables 100% utilization of the package area for active silicon, offering a significant performance per board area advantage compared to products in plastic molded packages. A finished package is shown in Figure 70. Figure 71 is a dimensioned view of the bottom of the package.

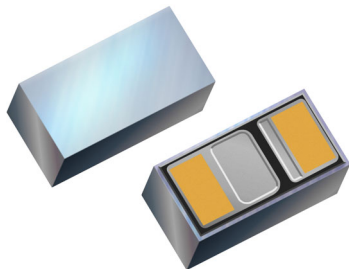


Figure 70. 0.60mm x 0.30mm Two-Lead Package

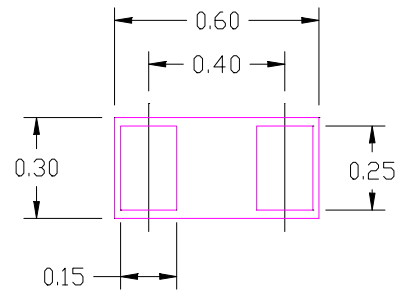


Figure 71. Dimensioned Bottom View of Package

Board Mounting Process

The package board mounting process can be optimized by first defining and controlling the following:

1. Solderable metallization and design of the PCB mounting pads.
2. Solder mask design guidelines.
3. Stencil for applying solder paste on to the PCB mounting pads.
4. Choice of proper solder paste.
5. Package placement.
6. Reflow of the solder paste.
7. Final inspection of the solder joints.
8. PCB circuit trace width.

Recommendations for each of these items are included in this application note. Figure 72 illustrates the color scheme used throughout this document.

SOLDERRM

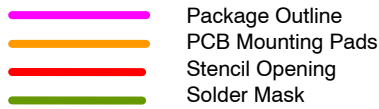


Figure 72. Color Legend

Figure 73 shows the size and orientation of the package on the recommended PCB mounting pads, solder mask and solder stencil. Figure 74 is an illustration of a cross section of the package mounted on a PCB.

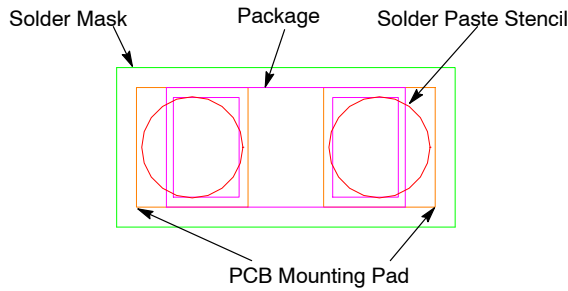


Figure 73. Recommended Mounting Pattern

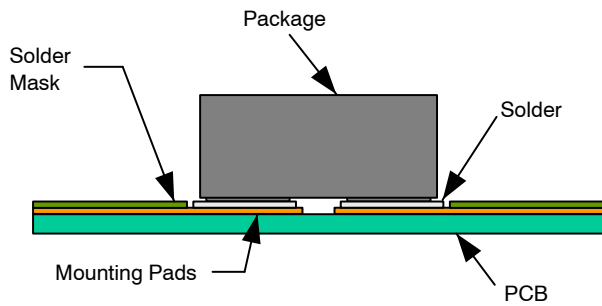


Figure 74. Cross-Section of Mounted Package

Printed Circuit Board Solder Pad Design

Based on results of board mount testing, onsemi's recommended mounting pads and solder mask opening are shown in Figure 75. Maximum acceptable PCB mounting pads and solder mask opening are shown in Figure 76.

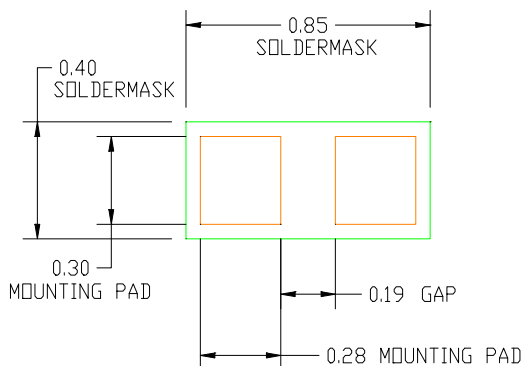


Figure 75. Recommended Mounting Pattern

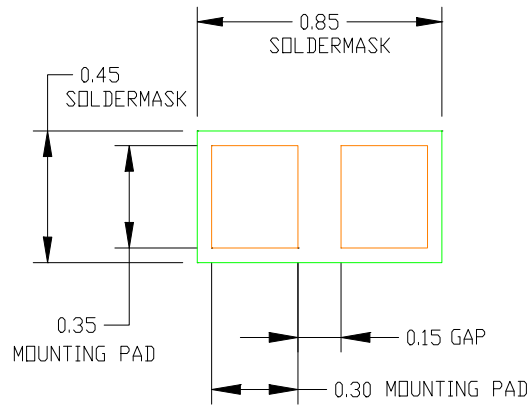


Figure 76. Maximum Recommended Mounting

Solder Mask

Two types of PCB solder mask openings commonly used for surface mount leadless style packages are:

1. Non Solder Masked Defined (NSMD)
2. Solder Masked Defined (SMD)

The solder mask is pulled away from the solderable metallization for NSMD pads, while the solder mask overlaps the edge of the metallization for SMD pads as shown in Figure 77. For SMD pads, the solder mask restricts the flow of solder paste on the top of the metallization and prevents the solder from flowing down the side of the metal pad. This is different from the NSMD configuration where the solder flows both across the top and down the sides of the PCB metallization.

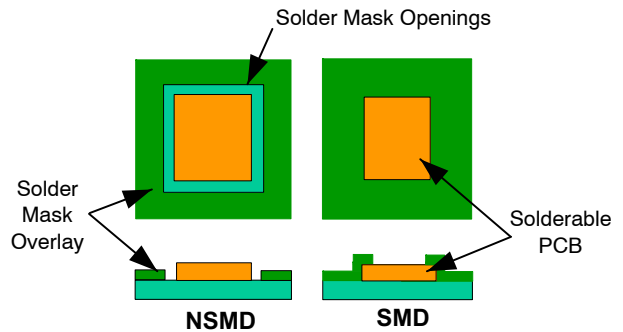


Figure 77. Comparison of NSMD vs. SMD Pads

Typically, NSMD pads are preferred over SMD pads. It is easier to define and control the location and size of copper pad versus the solder mask opening. This is because the copper etch process capability has a tighter tolerance than that of the solder mask process. NSMD pads also allow for easier visual inspection of the solder fillet.

Many PCB designs include a solder mask web between mounting pads to prevent solder bridging. For this package, testing has shown that the solder mask web can cause package tilting during the board mount process. Thus, a solder mask web is not recommended.

PCB Solderable Metallization

There are currently three common solderable coatings which are used for PCB surface mount devices- OSP, ENiAu, and HASL.

The first coating consists of an Organic Solderability Protectant (OSP) applied over the bare copper features. OSP coating assists in reducing oxidation in order to preserve the copper metallization for soldering. It allows for multiple passes through reflow ovens without degradation of solderability. The OSP coating is dissolved by the flux when solder paste is applied to the metal features. Coating thickness recommended by OSP manufacturers is between 0.25 and 0.35 microns.

The second coating is plated electroless nickel/immersion gold over the copper pad. The thickness of the electroless nickel layer is determined by the allowable internal material stresses and the temperature excursions the board will be subjected to throughout its lifetime. Even though the gold metallization is typically a self-limiting process, the thickness should be at least $0.05\ \mu\text{m}$ thick, but not consist of more than 5% of the overall solder volume. Excessive gold in the solder joint can create gold embrittlement. This may affect the reliability of the joint.

The third is a tin-lead coating, commonly called Hot Air Solder Level (HASL). This type of PCB pad finish is not recommended for this type packages. The major issue is the inability to consistently control the amount of solder coating applied to each pad. This results in dome-shaped pads of various heights. As the industry moves to finer and finer pitch, solder bridging between mounting pads becomes a common problem when using this coating.

It is imperative that the coating is conformal, uniform, and free of impurities to insure a consistent mounting process. Due to the package's extremely small size, we only recommend the use of the electroless nickel/ immersion gold metallization over the copper pads.

PCB Circuit Trace Width

The width of the PCB circuit trace plays an important role in the reduction of component tilting when the solder is reflowed. A solderable circuit trace allows the solder to wick or run down the trace, reducing the overall thickness of the solder on the PCB and under the component. Due to the small nature of the solder pad and component, the solder on the PCB will tend to form a bump causing the component to slide down the side of that solder bump resulting in a tilted component on the PCB. Allowing the solder to wick or run down the PCB circuit trace, will reduce the solder thickness and in turn prevent the solder from forming a ball on the PCB pad. This was observed during **onsemi** board mounting evaluations. The best results to prevent tilting used a PCB circuit trace equal to the width of the mounting pad. The length of the solder wicking or run out is controlled by the solder mask opening.

Solder Type

Solder pastes such as Cookson Electronics' WS3060 with a Type 4 or smaller sphere size are recommended. WS3060 has a water-soluble flux for cleaning. Cookson Electronics' PNC0106A can be used if a no-clean flux is preferred.

Solder Stencil Screening

Stencil screening of the solder paste onto the PCB is commonly used in the industry. The recommended stencil thickness for this part is 0.1 mm (0.004 in). The sidewalls of the stencil openings should be tapered approximately five degrees along with an electro-polish finish to aid in the release of the paste when the stencil is removed from the PCB. See Figure 78 for the recommended stencil opening size and pitch shown on the recommended PCB mounting pads and solder mask opening from Figure 75.

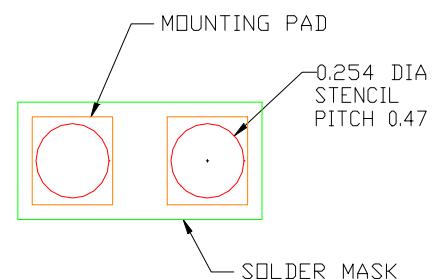


Figure 78. Recommended Stencil Pattern.

A second stencil option is shown in Figure 79. This option increases the amount of solder paste applied to the PCB through the stencil. This second option increases the stencil opening size and pitch. The PCB mounting pads and solder mask opening on the board do not change from the recommendations in Figure 75.

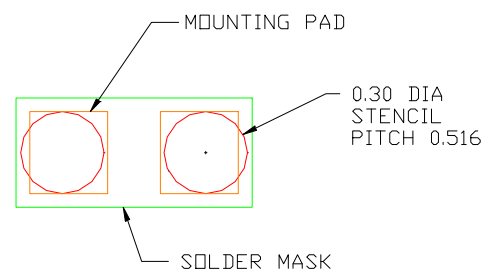


Figure 79. Maximum Stencil Pattern

Note: If the maximum stencil opening option from Figure 79 is used, tilt may occur on some of the packages. This was evident in the board mounting study we conducted. The stencil with the largest openings may improve solder release from the stencil along with slightly increasing the package shear strength.

SOLDERRM

Package Placement

Due to the small package size and because the pads are on the underside of the package, an automated pick and place procedure with magnification is recommended. A dual image optical system where the underside of the package can be aligned to the PCB should be used. Pick and place

equipment with a standard tolerance of +/- 0.05 mm (0.002 in) or better is recommended. The package self aligns during the reflow process due to the surface tension of the solder.

Note: A Pressure Sensitive Adhesive (PSA) tape and reel cover tape was used during the evaluation and is recommended for best pick and place results.

Solder Reflow

Once the package is placed on the PCB, a standard surface mount reflow process can be used to mount the part. Figures 80 and 81 are examples of typical reflow profiles for lead free and standard eutectic tin lead solder alloys, respectively.

The preferred profile is provided by the solder paste manufacturer and is dictated by variations in chemistry and viscosity of the flux matrix. These variations may require small adjustments to the profile for an optimized process.

In general, the temperature of the part should increase by less than 2°C/sec during the initial stages of reflow. The soak zone occurs at approximately 150°C and should last for 60 to 180 seconds for lead free profiles (30-120 sec for eutectic tin lead profiles). Typically, extending the length of time in the soak zone reduces the risk of voiding within the solder. The temperature is then increased. Time above the liquidus of the solder is limited to 60 to 150 seconds for lead free profiles (30-100 sec for eutectic tin lead profiles) depending on the mass of the board. The peak temperature of the profile should be between 245 and 260°C for lead free solder alloys (205-225°C for eutectic tin lead solders).

If required, removal of the residual solder flux can be done using the recommended procedures set forth by the flux manufacturer.

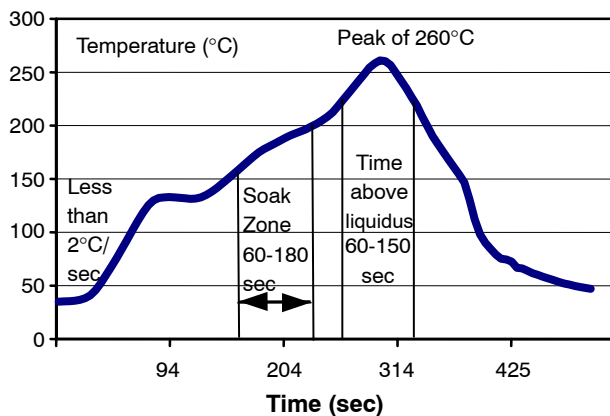


Figure 80. Typical Reflow Profile Lead Free Solder

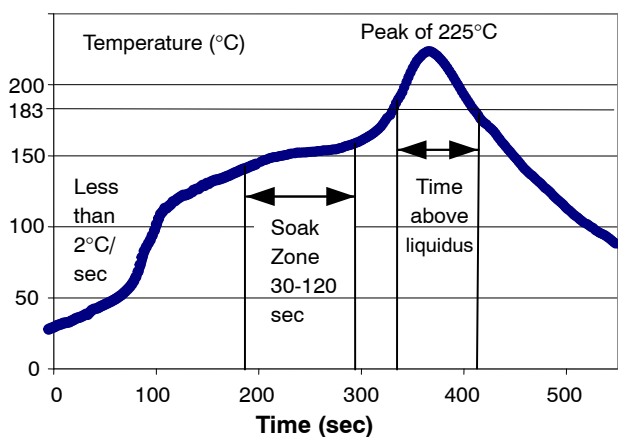


Figure 81. Typical Reflow Profile Eutectic Tin / Lead Solder

Final Solder Inspection

Solder joint integrity is determined by using an X-ray inspection system. With this tool, defects such as shorts between pads, open contacts, and voids within the solder and extraneous solder can be identified. In addition, the mounted device should be rotated on its side to inspect the sides of the solder joints for acceptable solder joint shape and stand-off height. The solder joints should have enough solder volume and stand-off height so that an “Hour Glass” shaped connection is not formed as shown in Figure 82. “Hour Glass” solder joints are a reliability concern and should be avoided.

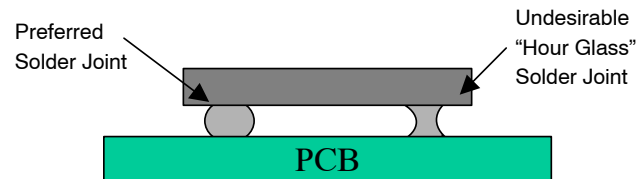


Figure 82. Illustration of Preferred and Undesirable Solder Joints

Rework Procedure

Since the 0.6 x 0.3mm two pin package is a leadless device, the package must be removed from the PCB if there is an issue with the solder joints.

Standard SMT rework systems are recommended for this procedure since airflow and temperature gradients can be carefully controlled. It is also recommended that the PCB be placed in an oven at 125°C for 4 to 8 hours prior to package removal to remove excess moisture from the packages. To control the region to be exposed to reflow temperatures, the PCB should be heated to 100°C by conduction through the backside of the board in the location of the device. Typically, heating nozzles are then used to increase the temperature locally and minimize any chance of overheating neighboring devices in close proximity.

Once the device’s solder joints are heated above their liquidus temperature, the package is quickly removed and the pads on the PCB are cleaned. Cleaning of the pads is typically performed with a blade style conductive tool with a de-soldering braid. A no clean flux is used during this process to simplify the procedure.

Solder paste is then deposited or screened onto the site in preparation for mounting a new device. Due to the close proximity of the neighboring packages in most PCB configurations, a miniature stencil for the individual component is typically required. The same stencil design parameters can be applied to this new stencil for redressing the pads.

Again, a manual pick and place procedure with the aid of magnification is recommended. A system with the same capabilities as described in the Package Placement section should be used.

SOLDERRM

Remounting the component onto the PCB can be accomplished by either passing it through the original reflow profile, or by selectively heating the specific region on the PCB using the same process used to remove the defective package. The benefit of subjecting the entire PCB to a second reflow is that the new part will be mounted consistently using a previously defined profile. The disadvantage is that all of the other soldered devices will be reflowed a second time. If subjecting all of the parts to a second reflow is either a concern or unacceptable for a specific application, then the localized reflow option is the recommended procedure.

Optimal board mounting results can be achieved by following these suggested guidelines.

Conclusions

The 0201 DSN2 package offers a 70% board space reduction from the popular 0402 outline. This small package outline provides a component option that can be added to a design with minimal impact to the overall PCB area budget enhancing the ease of layout in space constrained applications. Following the guidelines outlined in this application note will ensure optimal board mounting results with maximized bond strength and minimal tilting.

Section 3

Handling of Semiconductor Packages

Storage and Handling of Drypacked Surface Mounted Devices (SMD) AND8003/D

INTRODUCTION

This information provides onsemi customers with the necessary packaging, storage and handling guidelines to preclude component package delamination, package cracking and other defects that could be induced during solder reflow procedures for Surface Mount Devices (SMDs).

This document applies to plastic encapsulated SMDs that onsemi identifies as moisture sensitive and delivers in a dry pack. Moisture sensitive devices include, but are not limited to small outline J pins (SOJs), plastic leaded chip carriers (PLCCs), quad flat packs (QFPs), plastic quad flat packs (PQFPs), thin quad flat packs (TQFPs), thin small outline packages (TSOPs), small outline integrated circuits (SOICs), plastic ball grid arrays (PBGA), shrink small outline packages (SSOPs) and thin shrink small outline packages (TSSOPs).

SMD PACKAGE LIMITATIONS

During reflow procedures, SMDs are exposed to very high temperatures and the internal moisture absorbed from the atmosphere will vaporize. The resulting vapor pressure can cause internal delamination or interfacial separation of the packaging material from the die, leadframe, substrate and damage to the bonding wires. This pressure, in the most severe case may also form cracks in the mold compound and possibly expose the die to the external environment. These damages may pose immediate and potential reliability problems.

By following the guidelines herein, onsemi customers will prevent the occurrence of these problems.

DRY PACK DESCRIPTION

Dry pack consists of a dessicant, and a Humidity Indicator Card (HIC), sealed inside a Moisture Barrier Bag (MBB) and a barcode label.

The MBB provides ESD protection and has the required mechanical strength and flexibility, is puncture-resistant and heat-sealable.

The desiccant packed in each bag will keep the internal relative humidity level below 10% at 25°C.

The Humidity Indicator Card provides the customer with a simple and efficient means to verify the internal humidity level

inside the package using color spots as well as detailed instructions for dry bake.

The Manufacturer Part Number (MPN) barcode label indicates the bag seal date, the qualified Moisture Sensitivity Level (MSL) of the SMD, and the floor life or allowable time out of the MBB. MSL of onsemi's SMDs were classified according to 12MSB17722C, Reliability Qualification Process, IPC/JEDEC J-STD-020, Moisture/Reflow Sensitivity Classification for Nonhermetic Solid State Surface Mount Devices and JEDEC A113, Preconditioning of Plastic Surface Mounted Devices Prior to Reliability Testing.

STORAGE REQUIREMENTS AND TIME LIMITS OUT OF DRY PACK

The MSL at which each SMD is classified determines the appropriate packaging, storage and handling requirements when the SMDs are out of dry pack. Table 8 provides the MSL and the floor life, packaging, storage conditions and floor life before the solder reflow process. If the floor life is exceeded, the affected SMDs must undergo bake prior to any reflow process.

Table 8. Bake Conditions for Mounted or Unmounted SMD Packages after Floor Life has expired or after exposure outside ≤60% RH (User Bake: Floor life begins counting at time = 0 after bake.)

MS Level	Dry pack	Storage TH	Floor Life (Out of Bag) at Factory Ambient ≤30°C/60% RH or as Stated
1	No	30°C / 90% RH	Unlimited at ≤30°C/85% RH
2	Yes	30°C / 60% RH	One Year
2a	Yes	30°C / 60% RH	4 Weeks
3	Yes	30°C / 60% RH	168 Hours Max
4	Yes	30°C / 60% RH	72 Hours Max
5	Yes	30°C / 60% RH	48 Hours Max
5a	Yes	30°C / 60% RH	24 Hours Max
6	Yes	30°C / 60% RH	Mandatory bake before use. Reflow within the limit specified on label after bake.

SAFE STORAGE REQUIREMENTS

If the customer cannot mount the SMDs within the specified time limit, or factory ambient conditions exceed the specified maximum temperature and/or humidity level, then the customer can abate moisture absorption by following any of the safe storage methods to maintain the floor life:

Dry Pack The calculated shelf life for dry packed SMD packages is a minimum of 12 months from the bag seal date, when stored in an environment maintained at $< 40^{\circ}\text{C}/90\%$ RH.

Dry Atmosphere Cabinet Nitrogen or dry air-purged storage cabinets with low humidity maintained at $25 \pm 5^{\circ}\text{C}$ and capable of recovering to the required humidity within one hour from opening and/or closing cabinet door/s.

Dry Cabinet at 10% RH SMDs not sealed in a MBB may be placed in a dry atmosphere cabinet maintained at $\leq 10\%$

RH up to a maximum time specified in J-STD-033B.1. If the time limit is exceeded, bake is required to restore the floor life.

Dry Cabinet at 5% RH SMDs not sealed in a MBB may be placed in a dry atmosphere cabinet maintained at $\leq 5\%$ RH for an unlimited shelf life equivalent to storage in a MBB.

DRYING PROCEDURES AND REQUIREMENTS

SMDs that are not handled or stored within required conditions must undergo bake for drying prior to reflow to reset floor life. Re-sealing in an MBB with a dessicant resets shelf life.

Moisture sensitive SMDs which have been exposed only to ambient conditions of $\leq 60\%$ RH for any length of time may be adequately dried by baking according to Table 9 prior to reflow or Table 12 for drying prior to dry pack.

Table 9. Bake Conditions for Mounted or Unmounted SMD Packages after Floor Life has expired or after exposure outside $\leq 60\%$ RH (User Bake: Floor life begins counting at time = 0 after bake.)

Package Body	Level	Bake at 125°C		Bake at $90^{\circ}\text{C}, \leq 5\%$ RH		Bake at $40^{\circ}\text{C}, \leq 5\%$ RH	
		Exceeding Floor Life by >72 h	Exceeding Floor Life by ≤ 72 h	Exceeding Floor Life by >72 h	Exceeding Floor Life by ≤ 72 h	Exceeding Floor Life by >72 h	Exceeding Floor Life by ≤ 72 h
Thickness ≤ 1.4 mm	2	5 hours	3 hours	17 hours	11 hours	8 days	5 days
	2a	7 hours	5 hours	23 hours	13 hours	9 days	7 days
	3	9 hours	7 hours	33 hours	23 hours	13 days	9 days
	4	11 hours	7 hours	37 hours	23 hours	15 days	9 days
	5	12 hours	7 hours	41 hours	24 hours	17 days	10 days
	5a	16 hours	10 hours	54 hours	24 hours	22 days	10 days
Thickness >1.4 mm ≤ 2.0 mm	2	18 hours	15 hours	63 hours	2 days	25 days	20 days
	2a	21 hours	16 hours	3 days	2 days	29 days	22 days
	3	27 hours	17 hours	4 days	2 days	37 days	23 days
	4	34 hours	20 hours	5 days	3 days	47 days	28 days
	5	40 hours	25 hours	6 days	4 days	57 days	35 days
	5a	48 hours	40 hours	8 days	6 days	79 days	56 days
Thickness >2.0 mm ≤ 4.5 mm	2	48 hours	48 hours	10 days	7 days	79 days	67 days
	2a	48 hours	48 hours	10 days	7 days	79 days	67 days
	3	48 hours	48 hours	10 days	8 days	79 days	67 days
	4	48 hours	48 hours	10 days	10 days	79 days	67 days
	5	48 hours	48 hours	10 days	10 days	79 days	67 days
	5a	48 hours	48 hours	10 days	10 days	79 days	67 days
Thickness >17 mm x 17 mm or any stacked die package	2-6	96 hours	As above per package thickness and moisture level	Not applicable	As above per package thickness and moisture level	Not applicable	As above per package thickness and moisture level

Table 10. Reference Conditions for Drying Mounted or unmounted SMD Packages (User Bake: Floor life begins counting at time = 0 after bake.)

Package Body	Level	Bake at 125°C, +10/-0°C		Bake at 90°C, +8/-0°C, ≤5% RH		Bake at 40°C, +5/-0°C, ≤5% RH	
		Exceeding Floor Life by >72 h	Exceeding Floor Life by ≤72 h	Exceeding Floor Life by >72 h	Exceeding Floor Life by ≤72 h	Exceeding Floor Life by >72 h	Exceeding Floor Life by ≤72 h
Thickness ≤1.4 mm	2	5 hours	3 hours	17 hours	11 hours	8 days	5 days
	2a	7 hours	5 hours	23 hours	13 hours	9 days	7 days
	3	9 hours	7 hours	33 hours	23 hours	13 days	9 days
	4	11 hours	7 hours	37 hours	23 hours	15 days	9 days
	5	12 hours	7 hours	41 hours	24 hours	17 days	10 days
	5a	16 hours	10 hours	54 hours	24 hours	22 days	10 days
Thickness >1.4 mm ≤2.0 mm	2	18 hours	15 hours	63 hours	2 days	25 days	20 days
	2a	21 hours	16 hours	3 days	2 days	29 days	22 days
	3	27 hours	17 hours	4 days	2 days	37 days	23 days
	4	34 hours	20 hours	5 days	3 days	47 days	28 days
	5	40 hours	25 hours	6 days	4 days	57 days	35 days
	5a	48 hours	40 hours	8 days	6 days	79 days	56 days
Thickness >2.0 mm ≤4.5mm	2	48 hours	48 hours	10 days	7 days	79 days	67 days
	2a	48 hours	48 hours	10 days	7 days	79 days	67 days
	3	48 hours	48 hours	10 days	8 days	79 days	67 days
	4	48 hours	48 hours	10 days	10 days	79 days	67 days
	5	48 hours	48 hours	10 days	10 days	79 days	67 days
	5a	48 hours	48 hours	10 days	10 days	79 days	67 days
BGA package >17 mm x 17 mm or any stacked die package	2-5a	96 hours (See Note 2)	As above per package thickness and moisture level	Not applicable	As above per package thickness and moisture level	Not applicable	As above per package thickness and moisture level

1. Table 10 is based on worst-case molded lead frame SMD packages. Users may reduce the actual back time if technically justified (e.g., absorption/desorption data, etc.). In most cases it is applicable to other nonhermetic surface mount SMD packages. If parts have been exposed to >60% RH it may be necessary to increase the bake time by tracking desorption data to ensure parts are dry.
2. For BGA packages >17 mm x 17 mm, that do not have internal planes that block the moisture diffusion path in the substrate, may use bake times based on the thickness/moisture level portion of the table.

Table 11. Default Baking Times Used Prior to Dry Pack that were Exposed to Conditions $\leq 60\%$ RH (MET = 24h)

Pacakage Body Thickness	Level	Bake at 125°C, +10/-0°C	Bake at 150°C, +10/-0°C
≤ 1.4 mm	2	7 hours	3 hours
	2a	8 hours	4 hours
	3	16 hours	8 hours
	4	21 hours	10 hours
	5	24 hours	12 hours
	5a	28 hours	14 hours
> 1.4 mm ≤ 2.0 mm	2	18 hours	9 hours
	2a	23 hours	11 hours
	3	43 hours	21 hours
	4	48 hours	24 hours
	5	48 hours	24 hours
	5a	48 hours	24 hours
> 2.0 mm ≤ 4.5 mm	2	48 hours	24 hours
	2a	48 hours	24 hours
	3	48 hours	24 hours
	4	48 hours	24 hours
	5	48 hours	24 hours
	5a	48 hours	24 hours

- The bake times specified are conservative for packages without blocking planes or stacked die. For a stacked die or BGA package with internal planes that impede moisture diffusion the actual bake time may be longer than that required in Table 11 if packages have had extended exposure to factory ambient before bake. Also the actual bake time maybe reduced if technically justified. The increase or decrease in bake time shall be determined using the procedure in JEDEC JESD22-A120 (i.e., $< 0.002\%$ weight loss between successive readouts) or per critical interface concentration calculations.

Table 12. Bake Conditions for SMD Packages prior to Dry Pack after exposure to $\leq 60\%$ RH

Pacakage Body Thickness	Level	Bake at 125°C	Bake at 150°C
≤ 1.4 mm	2	7 hours	3 hours
	2a	8 hours	4 hours
	3	16 hours	8 hours
	4	21 hours	10 hours
	5	24 hours	12 hours
	5a	28 hours	14 hours
> 1.4 mm ≤ 2.0 mm	2	18 hours	9 hours
	2a	23 hours	11 hours
	3	43 hours	21 hours
	4	48 hours	24 hours
	5	48 hours	24 hours
	5a	48 hours	24 hours
> 2.0 mm ≤ 4.5 mm	2	48 hours	24 hours
	2a	48 hours	24 hours
	3	48 hours	24 hours
	4	48 hours	24 hours
	5	48 hours	24 hours
	5a	48 hours	24 hours

SOLDERRM

Room temperature desiccation using dry pack or a dry cabinet is also an option for previously dry SMDs exposed only to ambient conditions of $\leq 30^{\circ}\text{C}/60\%$ RH. If in a dry pack and the total desiccant exposure is ≤ 30 minutes, the original desiccant may be reused.

For MSL 2, 2a, and 3 classified packages with floor life exposure of ≤ 12 hours, a minimum desiccating period of 5X the exposure time is required to dry the SMD packages enough to reset the floor life. This can be accomplished by dry packing or storing in a dry cabinet maintained at $\leq 10\%$ RH. For parts with exposure time less than floor life, dry packing or storage in a dry cabinet with $\leq 10\%$ RH will pause the floor life clock as long as the cumulative floor life meets the conditions in Table 8.

For MSL 4, 5, and 5a classified packages with floor life exposure of ≤ 8 hours, a minimum desiccating period of 10X the exposure time is required to dry the SMD packages enough to reset the floor life. This can be accomplished by dry packing or storing in a dry cabinet maintained at $\leq 5\%$ RH.

Bake oven to be used shall have proper ventilation and capable of maintaining the required temperatures at $\leq 5\%$ RH.

Baking of SMDs at 125°C may be done using high temperature/shipping carriers unless otherwise indicated by manufacturer. If low temperature carriers are used, SMDs can only be baked in the carriers at $\leq 40^{\circ}\text{C}$. If higher bake temperatures are to be used, transfer SMDs to thermally safe carriers for the bake process. Remove any paper and plastic materials around the carriers prior to bake.

Exercise care in handling SMDs out of their shipping containers to maintain lead coplanarity and prevent inducing mechanical damage. Proper precautions in handling SMDs shall also be observed to avoid ESD damage per JESD625-A, Requirements for Handling Electrostatic-Discharge-Sensitive (ESDS) Devices.

When the floor life is reset after bake, Safe Storage Requirements shall be followed.

NOTE:

The customer must apply the same storage requirements and time limits specified in Storage Requirements to all dried SMDs.

SOLDER REFLOW GUIDELINES

The reflow process may be a single or multiple passes during assembly reflow and single component attach/removal for rework.

Upon opening of MBB, reflow process must be completed for all SMDs in the bag prior to the stated floor life, resealed

in the MBB, or stored in a dry atmosphere cabinet per Safe Storage Requirements. If the floor life or factory ambient conditions are exceeded, refer to Drying Procedures and Requirements.

Ensure that the rated maximum temperature for the SMDs as indicated on the barcode label is not exceeded during reflow process as this will affect product reliability.

NOTE:

During IR and IR/convection reflow processes, it is important to verify the component body temperature which may be different from lead or solder ball temperature.

If hot air attach processes requires heating to $>225^{\circ}\text{C}$ and the maximum safe temperature for the component is exceeded, the supplier should be consulted.

Thermal reflow profile parameters stated in JESD22-A113 should be complied with. Although the body temperature during reflow is the most critical parameter, other profile parameters may also influence component reliability.

If more than one reflow pass is required, ensure that the SMDs, mounted or unmounted, have not exceeded their floor life prior to the final pass. If any component on the board has exceeded its floor life the board needs to be baked prior to the next reflow according to Table 9.

NOTE:

The floor life is NOT reset by any reflow or rework process. For cavity packages in which water may be entrapped, water clean processes after the first reflow can be an additional source of moisture. This may present an additional risk, which should be evaluated.

Each component must go through a maximum of three reflow passes only. If more than three are required for any reason, the supplier must be consulted.

REFERENCE DOCUMENTS

IPC/JEDEC J-STD-033B.1, "Handling, Packing, Shipping and Use of Moisture/Reflow Sensitive Surface Mount Devices". IPC/JEDEC J-STD-020, "Moisture/Reflow Sensitivity Classification for Nonhermetic Solid State Surface Mount Devices". JEDEC Test Method A113, "Preconditioning of Plastic Surface Mounted Devices Prior to Reliability Testing." onsemi Specification 12MSB17722C, "Reliability Qualification Process". JESD625-A, Requirements for Handling Electrostatic-Discharge-Sensitive (ESDS) Devices.

Section 4

Semiconductor Package Reliability and Quality

Semiconductor Package Quality and Reliability

In Brief . . .

The word quality has been used to describe many things, such as fitness for use, customer satisfaction, customer enthusiasm, what the customer says quality is, etc. These descriptions convey important truths, however, quality should be described in a way that precipitates immediate action. With that in mind, quality can be described as reduction of variability around a target, so that conformance to customer requirements and possibly expectations can be achieved in a cost effective way. This definition provides direction and potential for immediate action for a person desiring to improve quality.

The definition of quality as described above can be applied to a task, process or a whole company. If we are to reap the benefits of quality and obtain a competitive advantage, quality must be applied to the whole company.

Implementation of quality ideas company wide requires a quality plan showing: a philosophy (belief) of operation, measurable goals, training of individuals and methods of communicating this philosophy of operation to the whole organization.

onsemi, for example, believes that quality and reliability are the responsibility of every person. Participative Management is the process by which problem solving and quality improvement are facilitated at all levels of the organization through crossfunctional teams. Continuous improvement for the individual is facilitated by a broad educational program covering onsite, university and college courses. **onsemi** University provides leadership and administers this educational effort on a company wide basis.

Another key belief is that quality excellence is accomplished by people doing things right the first time and committed to never ending improvement. The Six Sigma (6σ) challenge is designed to convey and facilitate the idea of continuous improvement at all levels.

The following information provides an overview of the Reliability and Quality principals applicable to semiconductor packaging. For comprehensive information on **onsemi**'s Reliability and Quality Programs, please refer to Reference Manual R&QARM.

Quality Concepts

Quality improvement for a task or a process can be quickly described in terms of the target, current status with respect to target (variability), reduction of variability (commitment to never ending improvement), customer requirements (who receives output, what are a person's requirements/ expectations) and economics (cost of nonconformance, loss function, etc.).

Application of quality to the whole company has come to be known by such names as “**Total Quality Control**” (TQC); “**Company Wide Quality Control**” (CWQC); “**Total Quality Excellence**” or “**Total Quality Engineering**” (TQE); “**Total Quality Involvement**” (TQI). These names attempt to convey the idea that quality is a process (a way of acting continuously) rather than a program (implying a beginning and an end). Nevertheless for this process to be successful it must be able to show measurable results.

“**Six Sigma** is the required capability level to approach the standard. The **standard is zero defects**. Our goal is to be Best-in-Class in product, sales and service.” (For a more detailed explanation, contact your **onsemi** Representative for a pamphlet of the Six Sigma Challenge.)

Quick insight into Six Sigma is obtained if we realize that a Six Sigma process has variability which is one half of the variation allowed (tolerance, spread) by the customer requirements (i.e. natural variation is one half of the customer specification range for a given characteristic). When Six Sigma is achieved, virtually zero defects are observed in the output of a process/product even allowing for potential process shifts (Figure 83).

Policies, objectives and five year plans are the mechanisms for communicating the key beliefs and measurable goals to all personnel and continuously keeping them in focus. This is done at the corporate, sector, group, division, and department levels.

onsemi, for example, evaluates performance to the corporate goals of **10 fold improvement by 1989; 100 fold improvement by 1991** and achievement of **Six Sigma capability by 1992** by utilizing indices such as Outgoing Electrical and Visual Mechanical Quality (AOQ) in terms of PPM (parts per million or sometimes given in parts per billion); **% of devices with zero PPM**; **product quality returns** (RMR); number of processes/products with specified **capability indices (cp, cpk)**; **Six Sigma capability roadmaps**; **failure rates for various reliability tests** (operating life, temperature humidity bias, hast, temperature cycling, etc.); **on-time delivery**; **customer product evaluation and failure analysis turnaround**; **cost of nonconformance**; **productivity improvement and personnel development**.

Figure 84 shows the improvement in electrical outgoing quality for analog products over recent years in a normalized form. Figure 85 shows the number of parts with zero PPM over a period of time.

Documentation control is an important part of **statistical process control**. **Process mapping** (flow charting etc.) with documentation identified allows visualization and therefore optimization of the process. Figure 86 shows a portion of a flow chart for wafer fabrication. **Control plans** are an important part of Statistical Process Control, these plans identify in detail critical points where data for process control is taken, parameters measured, frequency of measurements, type of control device used, measuring equipment, responsibilities and reaction plans. Figure 87 shows a portion of a control plan for wafer fabrication. Six Sigma progress is tracked by roadmaps based on the Six Sigma process, a portion of which is shown on Figure 88.

On-time delivery is of great importance, with the current emphasis on **just-in-time** systems. Tracking is done on an overall basis, and at the device levels.

Figure 83. A Six Sigma Process Has Virtually Zero Defects Allowing for 1.5 σ Shift

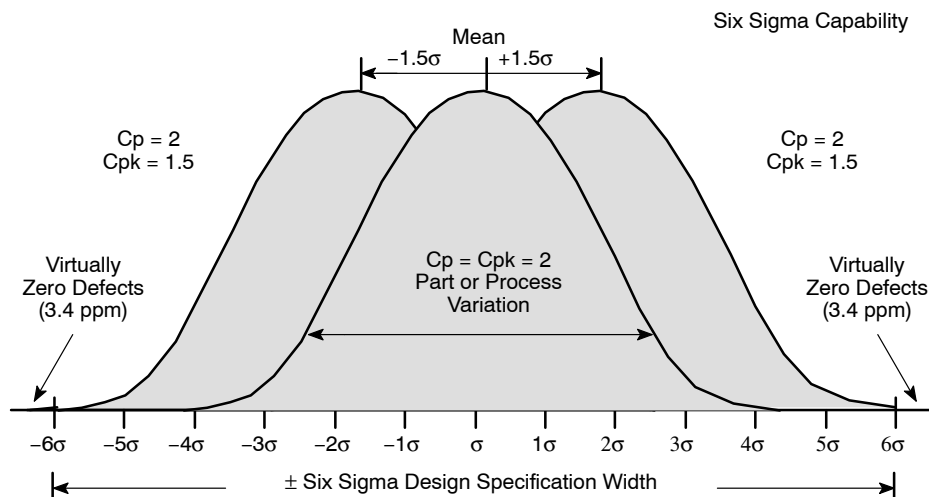


Figure 84. onsemi Logic & Analog Technologies Group Electrical AOQ

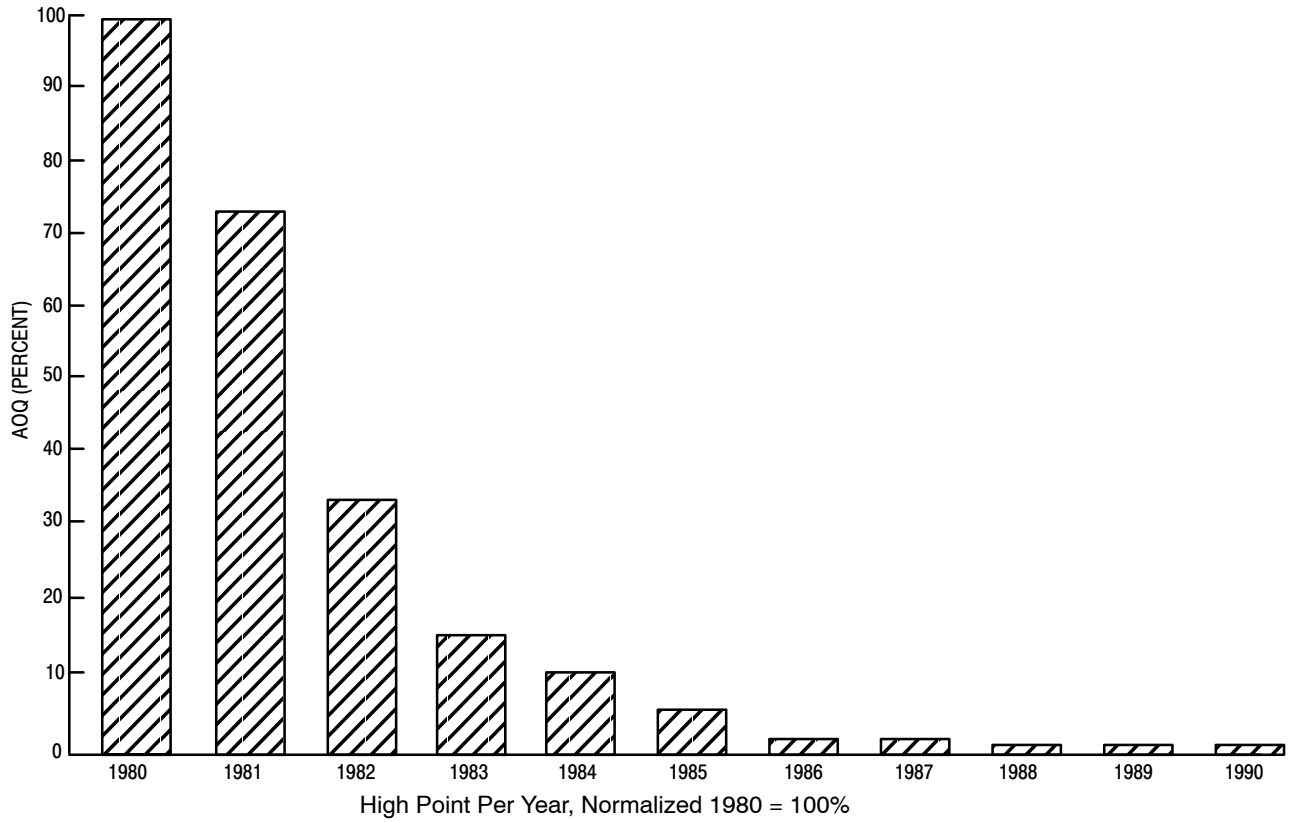


Figure 85. Percentage of Parts with Zero PPM AOQ

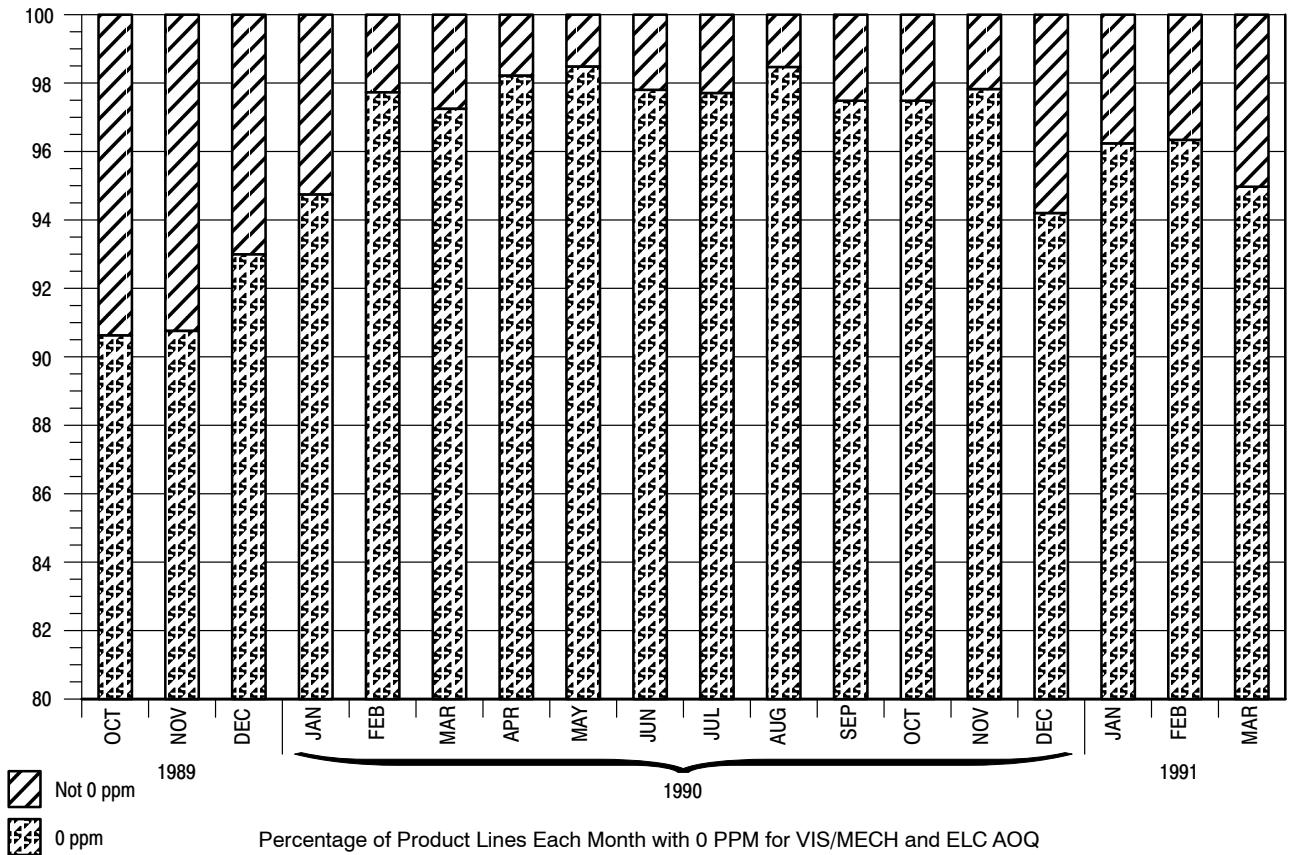


Figure 86. Portion of a Process Flow Chart From Wafer Fab, Showing Documentation Control and SPC

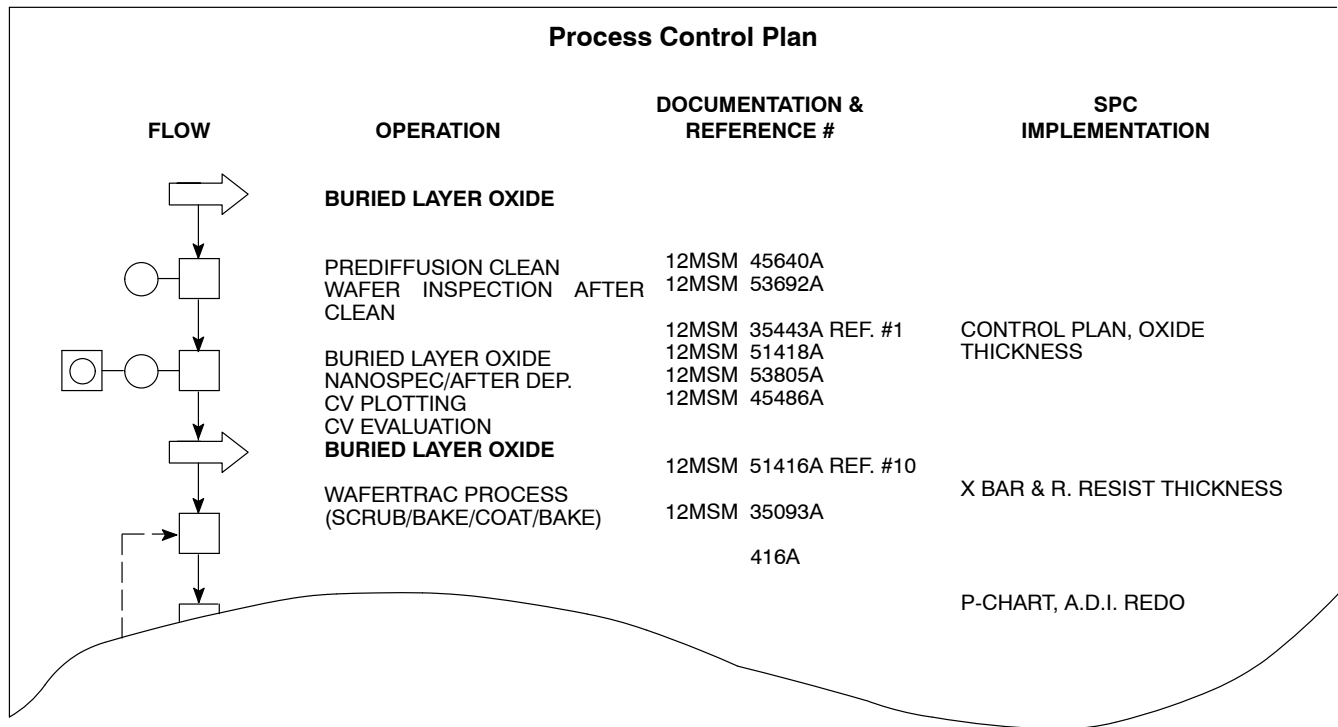


Figure 87. Part of a Wafer Fab Control Plan, Showing Statistical Process Control Details

Characteristics:		Code	Description	Code	Description
	A		VISUAL DEFECTS	E	FILM SHEET RESISTANCE
	B		VISUAL DEFECTS . . . MICROSCOPE	F	REFRACTIVE INDEX
	C		PARTICLE . . . MONITOR	G	CRITICAL DIMENSION
	D		FILM THICKNESS	H	CV PLOT

Process Location	Ref. No.	Characteristic Affected	Part/Process Detail	Measurements Method	Analysis Methods	Frequency Sample Size	Reaction Plan: Point out of Limit (3) (4)
B.L. OXIDE	1	D	OXIDE THICKNESS	NANOMETRIC	CONTROL GRAPH	EVERY RUN 3 WFR/RUN	IMPOUND LOT (1) ADJUST TIME TO CENTER PROCESS PER SPEC
EPI	2	D	THICKNESS	DIGILAB	\bar{X} R CHART	EVERY RUN 5 SITES/WFR	IMPOUND LOT (1) NOTIFY ENGR.
QA		D	THICKNESS	DIGILAB	\bar{X} R CHART	1WFR/SHIFT 5 SITES/WFR	IMPOUND LOT (2) NOTIFY ENGR.
		E	FILM RESISTIVITY	4PT PROBE	\bar{X} R CHART	EVERY RUN 5 SITES/WFR	IMPOUND LOT (1) NOTIFY ENGR.
QA		E	FILM RESISTIVITY	4PT PROBE	\bar{X} R CHART	1WFR/SHIFT 5 SITES/WFR	IMPOUND LOT (2) NOTIFY ENGR.
DEEP				4PT PROBE	MOVING R	EVERY LOT 1 CTRL WFR PER LOT	IMPOUND LOT NOTIFY ENGR.

Figure 88. Portion of Six Sigma (6σ) Roadmap Showing Steps to Six Sigma Capability

STEP	±6σ Summary
1. Identify critical characteristics	<ul style="list-style-type: none"> • Product Description • Marketing • Industrial Design • R&D/Developmental Engineering • Actual or Potential Customers
2. Determine specified product elements contributing to critical characteristics	<ul style="list-style-type: none"> • Critical Characteristics Matrix • Cause-and-Effect and Ishikawa Diagrams • Success Tree/Fault Tree Analysis • Component Search or Other Forms of Planned Experimentation • FMECA (Failure Mode Effects and Critical Analysis)
3. For each product element, determine the process step or process choice that affects or controls required performance	<ul style="list-style-type: none"> • Planned Experiments • Computer-Aided Simulation • TOP/Process Engineering Studies • Multi-Vari Analysis • Comparative Experiments
4. Determine maximum (real) allowable tolerance for each and process	<ul style="list-style-type: none"> • Graphing Techniques • Engineering Handbooks • Planned Experiments • Optimization, Especially Response Surface Methodology

Reliability Concepts

Reliability is the probability that an analog integrated circuit will successfully perform its specified function in a given environment for a specified period of time. This is the classical definition of reliability applied to analog integrated circuits.

Another way of thinking about reliability is in relationship to quality. While **quality** is a measure of variability (extending to potential nonconformances-rejects) in the population domain, **reliability** is a measure of variability (extending to potential nonconformances-failures) in the population, time and environmental conditions domain. In brief, **reliability** can be thought of as **quality over time and environmental conditions**.

Ultimately, **product reliability** is a function of proper **understanding** of **customer requirements** and **communicating** them throughout design, product/process development, manufacturing and final product use. **Quality Function Deployment (QFD)** is a technique which may be used to facilitate identification of customer quality and reliability requirements and communicating them throughout an organization.

The most frequently used reliability measure for integrated circuits is the **failure rate expressed** in percent

per thousand device hours (%/1000 hrs.). If the time interval is small the failure rate is called **Instantaneous Failure Rate** [$\lambda(t)$] or “Hazard Rate.” If the time interval is long (for example total operational time) the failure rate is called **Cumulative Failure Rate**.

The number of failures observed, taken over the number of device hours accumulated at the end of the observation period and expressed as a percent is called the point estimate failure rate. This however, is a number obtained from observations from a sample of all integrated circuits. If we are to use this number to estimate the failure rate of all integrated circuits (total population), we need to say something about the risk we are taking by using this estimate. A **risk** statement is provided by the **confidence level** expressed together with the failure rate. Mathematically, the failure rate at a given confidence level is obtained from the point estimate and the **CHI square (X²)** distribution. (The X² is a statistical distribution used to relate the observed and expected frequencies of an event.) In practice, a reliability calculator rule is used which gives the failure rate at the confidence level desired for the number of failures and device hours under question.

As the number of device hours increases, our confidence in the estimate increases. In integrated circuits, it is preferred to make estimates on the basis of failures per 1,000,000,000 (10⁹) device hours (**FITS**) or more. If such large numbers of device hours are not available for a particular device, then the point estimate is obtained by pooling the data from devices that are similar in process, voltage, construction, design, etc., and for which we expect to see the same failure modes in the field.

The environment is specified in terms of the temperature, electric field, relative humidity, etc., by an **Eyring** type equation of the form:

$$\lambda = Ae^{-\frac{\phi}{KT}} \dots e^{-\frac{B}{RH}} \dots e^{-\frac{C}{E}}$$

where A, B, C, ϕ & K are constants, T is temperature, RH is relative humidity, E is the electric field, etc.

The most familiar form of this equation deals with the first exponential which shows an **Arrhenius type** relationship of the **failure rate** versus the **junction temperature** of integrated circuits, while the causes of failure generally remain the same. Thus we can test devices near their maximum junction temperatures, analyze the failures to assure that they are the types that are accelerated by temperature and then applying known acceleration factors, estimate the failure rates for lower junction temperatures. The Eyring or Arrhenius relationships should be used for failure rate projections in conjunction with proper understanding of failure modes, mechanisms and patterns such as infant mortality, constant failure rate (useful region) and wearout. For example if by design and proper process control infant mortality and useful period failures have been brought to zero and wearout failures do not start until, let us say, 30,000 hours at 125°C then failure rate projections at lower temperatures must account for these facts and whether the observed wearout failures occur at lower temperatures.

Figure 89 shows an example of a curve which gives estimates of failure rates versus temperature for an integrated circuit case study.

Arrhenius type of equation: $\lambda = Ae^{-\frac{\phi}{KT}}$

- where:
- λ = Failure Rate
 - A = Constant
 - e = 2.72
 - ϕ = Activation Energy
 - K = Boltzman's Constant
 - T = Temperature in Degrees Kelvin

$$T_J = T_A + \theta_{JA} P_D \text{ or } T_J = T_C + \theta_{JC} P_D$$

- where:
- T_J = Junction Temperature
 - T_A = Ambient Temperature
 - T_C = Case Temperature
 - θ_{JA} = Junction to Ambient Thermal Resistance
 - θ_{JC} = Junction to Case Thermal Resistance
 - P_D = Power Dissipation

Life patterns (failure rate curves) for equipment and devices can be represented by an idealized graph called the **Bathtub Curve** (Figure 90).

There are three important regions identified on this curve. In Region A, the failure rate decreases with time and it is generally called **infant mortality** or early life failure region. In Region B, the failure rate has reached a relatively constant level and it is called **constant failure rate** or useful life region. In the third region, the failure rate increases again and it is called **wearout region**. Modern integrated circuits generally do not reach the wearout portion of the curve when operating under normal use conditions.

Figure 89. Example of a Failure Rate versus Junction Temperature Curve

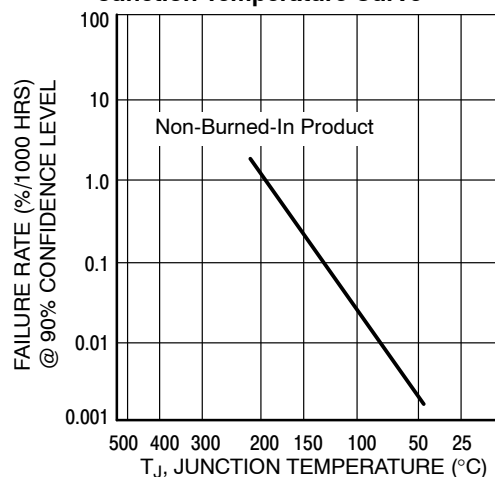
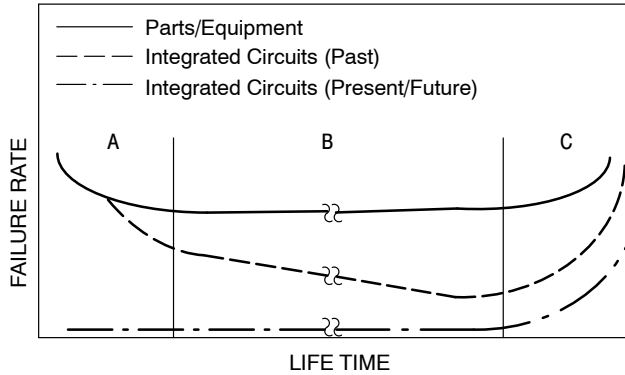


Figure 90. A Model for Failure Distribution in Time Domain Bathtub Curve Model



Decreasing Failure Rate	Constant Failure Rate	Increasing Failure Rate
Infant Mortality Burn-In Manufacturing Variations Workmanship Defects	Useful Life Random (Chance) Defects (No Pattern; Occur Regularly) Weibull	Wearout Material, Design, Process Limitations
Weibull Log Normal Gamma Distribution	Weibull Exponential for Equipment Log Normal for ICs	Weibull Normal (Gaussian)

The wearout portion of the curve can usually be identified by using highly accelerated test conditions. For modern integrated circuits, even the useful life portion of the curve may be characterized by few or no failures. As a result the bathtub

curve looks like continuously declining (few failures, Figure 90, Curve B) or zero infant and useful period failures (constant failure rate until wearout, Curve C).

The **infant mortality** portion of the curve is of most interest to equipment manufacturers because of its impact on customer perception and potential warranty costs. In recent years the infant mortality portion of the curve for integrated circuits, and even equipment, has been drastically reduced (Figure 90, Curve C). The reduction was accomplished by improvements in technology, emphasis on statistical process control, reliability modeling in design and reliability in manufacturing (wafer level reliability, assembly level reliability, etc.). In this respect many integrated circuit families have zero or near zero failure patterns until wearout starts.

Does a user still need to consider burn-in? For this question to be answered properly the IC user must consider the **target failure rate** of the equipment, **apportioned** to the components used, application environment, maturity of equipment and components (new versus mature technology), the impact of a failure (i.e. safety versus casual loss of entertainment), maintenance costs, etc. Therefore, if the IC user is going through these considerations for the first time, the question of burn-in at the component level should be discussed during a user-vendor interface meeting.

A frequently asked question is about the reliability differences between **plastic** and **hermetic** packaged

integrated circuits. In general, for all integrated circuits including analog, the field removal rates are the same for normal use environments, with many claims of plastic being better because of its “solid block” structure.

The tremendous decrease of failure rates of plastic packages has been accomplished by **continuous improvements** in piece parts, materials and processes. Nevertheless, differences can still be observed under highly accelerated environmental stress conditions. For example, if a bimetallic (gold wire and aluminum metallization) system is used in plastic packages and they are placed on a high temperature operating life test (125°C) then failures in the form of opens, at the gold to aluminum interface, may not be observed until 30,000 hours of continuous operating life. Packages, whether plastic or hermetic, with a monometallic system (aluminum wire to aluminum metallization) will have no opens because of the absence of the gold to aluminum interface. As a result, a difference in failure rates will be observable.

Differences in failure rates between plastics and hermetics may also be observed if devices from both packaging systems are placed in a moist environment such as 85°C, 85% RH with bias applied. At some point in time plastic encapsulated ICs should fail since they are considered pervious by moisture, (the failure mechanism being corrosion of the aluminum metallization) while hermetic packages should not fail since they are considered impervious by moisture. The reason the word “should” was used is because advances in plastic compounds, package piece parts, encapsulation processes and final chip passivation have made plastic integrated circuits capable of operating more than 5000 hours without failures in an 85°C, 85% RH environment. Differences in failure rates due to internal corrosion between plastic and hermetic packages may not be observable until well after 5000 operating hours.

The aforementioned two examples had environments substantially more accelerated than normal life so the two issues discussed are not even a factor under normal use conditions. In addition, mechanisms inherent in hermetic packages but absent in plastics were not even considered here. Improved reliability of plastic encapsulated ICs has decreased demand of hermetic packages to the point where many devices are offered only in plastic packages. The user then should feel comfortable in using the present plastic packaging systems.

A final question that is asked by the IC user is, how can one be assured that the reliability of standard product does not degrade over time? This is accomplished by our emphasis on **statistical process control, in-line reliability** assessment and **reliability auditing** by periodic and strategic sampling and accelerated testing of the various integrated circuit device packaging systems. A description of these audit programs follows.

onsemi Reliability Audit Program

The reliability of a product is a function of proper understanding of the application and environmental conditions that the product will encounter during its life as well as design, manufacturing process and final use conditions. **Inherent reliability** is the reliability which a product would have if there were no imperfections in the materials, piece parts and manufacturing processes of the product. The presence of imperfections gives rise to reliability risks. **Failure Mode and Effects Analysis (FMEA)** is a technique for identifying, controlling and eliminating potential failures from the design and manufacture of the product.

onsemi uses **on-line** and **off-line** reliability monitoring in an attempt to prevent situations which could degrade reliability. **On-line** reliability monitoring is at the **wafer and assembly levels** while **off-line** reliability monitoring involves reliability assessment of the **finished product** through the use of **accelerated** environmental tests.

Continuous monitoring of the reliability of analog integrated circuits is accomplished by the **Analog Reliability Audit Program**, which is designed to compare the actual reliability to that specified. This objective is accomplished by periodic and strategic sampling of the various integrated circuit device packaging systems. The samples are tested by subjecting them to accelerated environmental conditions and the results are reviewed for unfavorable trends that would indicate a degradation of the reliability or quality of a particular packaging system. This provides the trigger mechanism for initiating an investigation for **root cause** and **corrective action**. Concurrently, in order to provide a minimum of interruption of product flow and assure that the product is fit for use, a lot by lot sampling or a non-destructive type 100% screen may be used to assure that a particular packaging system released for shipment does have the expected reliability. This rigorous surveillance is continued until there is sufficient proof (many consecutive lots) that the problem has been corrected.

The **Logic and Analog Technologies Group** has used reliability audits since the late sixties. Such programs have been identified by acronyms such as CRP (Consumer Reliability Program), EPIIC (Environmental Package Indicators for Integrated Circuits), LAPP (Linear Accelerated Punishment Program), and RAP (Reliability Audit Program).

Currently, the Analog Reliability Audit Program consists of a **Weekly Reliability Audit** and a **Quarterly Reliability Audit**. The Weekly Reliability Audit consists of rapid (short time) types of tests used to monitor the production lines on a real time basis. This type of testing is performed at the assembly/test sites worldwide. It provides data for use as an **early warning system** for identifying negative trends and triggering investigations for root cause and corrective actions.

The Quarterly Reliability Audit consists of long term types of tests and is performed at the U.S. Bipolar Analog Division Center. The data obtained from the Quarterly Reliability Audit is used to assure that the correlation between the short term weekly tests and long term quarterly tests has not changed and a new failure mechanism has not appeared.

A large data base is established by combining the results from the Weekly Reliability Audit with the results from the Quarterly Reliability Audit. Such a data base is necessary for estimating long term failure rates and evaluating potential process improvement changes. Also, after a process improvement change has been implemented, the Analog Reliability Audit Program provides a system for monitoring the change and the past history data base for evaluating the affect of the change.

Weekly Reliability Audit

The Weekly Reliability Audit is performed by each assembly/test site worldwide. The site must have capability for final electrical and quality assurance testing, reliability testing and first level of failure analysis. The results are reviewed on a continuous basis and corrective action is taken when appropriate. The results are accumulated on a monthly basis and published.

The Reliability Audit test plan is as follows:

Electrical Measurements: Performed initially and after each reliability test, consist of critical parameters and functional testing at 25°C on a go-no-go basis.

High Temperature Operating Life: Performed to detect failure mechanisms that are accelerated by a combination of temperature and electric fields. Procedure and conditions are per MIL-STD-883, Method 1015 with an ambient temperature of 145°C for 40 hours or equivalent based on a 1.0 eV activation energy and the Arrhenius equation.

Approximate Accelerated Factors

	<u>125°C</u>	<u>50°C</u>
145°C	4	4000
125°C	1	1000

Temperature Cycling/Thermal Shock: Performed to detect mechanisms related to thermal expansion and contraction of dissimilar materials, etc. Procedures and conditions are per MIL-STD-883, Methods 1010 or 1011, with ambient temperatures of -65° to +150°C or -40° to +125°C (JEDEC-STD-22-A104), for a minimum of 100 cycles.

Pressure Temperature Humidity (Autoclave): Performed to measure the moisture resistance of plastic encapsulated packages. It detects corrosion type failure mechanisms due to free ionic contaminants that may have entered the package during the manufacturing processes. Conditions are per JEDEC-STD-22, Method 102, a

SOLDERRM

temperature of 121°C, steam environment and 15 psig. The duration of the test is 96 hours (minimum).

Analysis Procedure: Devices failing to meet the electrical criteria after being subjected to an accelerated environment type test are verified and characterized electrically, then submitted for failure analysis.

Quarterly Reliability Audit

The Quarterly Analog Reliability Audit Program is performed at the U.S. Bipolar Analog Division Center. This testing is designed to assure that the correlation between the short term weekly tests and the longer quarterly tests has not changed and that no new failure mechanisms have appeared. It also provides additional long term information for a data base for estimating failure rates and evaluation of potential process improvement changes.

Electrical Measurements: Performed initially and at interim readouts, consist of all standard DC and functional parameters at 25°C, measured on a go-no-go basis.

High Temperature Operating Life Test: Performed to detect failure mechanisms that are accelerated by a combination of temperature and electric fields. Procedure and conditions are per MIL-STD-883, Method 1015, with an ambient temperature of 145°C for 40 and 250 hours or equivalent, based on 1.0 eV activation energy and the Arrhenius equation.

Approximate Accelerated Factors

	<u>125°C</u>	<u>50°C</u>
145°C	4	4000
125°C	1	1000

Temperature Cycling/Thermal Shock: Performed to detect mechanisms related to thermal expansion and contraction, mismatch effects, etc. Procedure and conditions are per MIL-STD-883, Methods 1010 or 1011, with ambient temperatures of -65° to +150°C or -40° to +125°C (JEDEC-STD-22-A104) for 100, 500 and 1000 or more cycles, depending on the temperature range used. Temperature Cycling is used more frequently than Thermal Shock.

Pressure Temperature Humidity (Autoclave): Performed to measure the moisture resistance of plastic encapsulated packages. It detects corrosion type failure mechanisms due to free ionic contaminants that may have entered the package during the manufacturing processes. Conditions are per JEDEC-STD-22, Method 102, a temperature of 121°C, steam environment and 15 psig. The duration of the test is for 96 hours (minimum), with a 48 hour interim readout.

Pressure Temperature Humidity Bias (PTHB; Biased Autoclaved): This test measures the moisture resistance of plastic encapsulated packages. It detects corrosion type failure mechanisms due to free and bounded ionic contaminants that may have entered the package during the manufacturing processes, or they may be bound in the materials of the integrated circuit packaging system and activated by the moisture and the applied electrical fields. Conditions are per JEDEC-STD-22, Method 102, with bias applied, a temperature of 121°C, steam environment and 15 psig. This test detects the same type of failures as the Temperature Humidity Bias (85°C, 85% RH, with bias) test, only faster. The acceleration factor between PTHB and THB is between 20 and 40 times, depending on the type of corrosion mechanism, electrical field and packaging system.

Highly Accelerated Stress Test (HAST) is increasingly replacing the aforementioned PTHB test. The reason is that the HAST test allows control of pressure, temperature and humidity independently of each other, thus we are able to set different combinations of temperature and relative humidity. The most frequently used combination is **130°C with 85% RH**. This has been related to THB (85°C, 85% RH) by an **acceleration factor of 20** (minimum). The ability to keep the relative humidity variable constant for different temperatures is the most appealing factor of the HAST test because it reduces the determination of the acceleration factor to a single Arrhenius type of relationship. **onsemi** has been phasing over to HAST testing since 1985.

Temperature, Humidity and Bias (THB): This test measures the moisture resistance of plastic encapsulated packages. It detects corrosion type failure mechanisms due to free and bounded ionic contaminants that may have entered the package during the manufacturing processes, or they may be bound in the materials of the integrated circuit packaging system and activated by moisture and the applied electrical fields. Conditions are per JEDEC-STD-22, Method 102 (85°C, 85% RH), with bias applied. The duration is for 1008 hours, with a 504 hour interim readout. The acceleration factor between THB (85°C, 85% RH with bias) and the 30°C, 90% RH is typically 40 to 50 times, depending on the type of corrosion mechanism, electrical field and packaging system.

Analysis Procedure: Devices failing to meet the electrical criteria after being subjected to an accelerated environment type test(s) are verified and characterized electrically, then they are submitted for root cause failure analysis and corrective action for continuous improvement.

OPTIMIZING THE LONG TERM RELIABILITY OF PLASTIC PACKAGES

Today's plastic integrated circuit packages are as reliable as ceramic packages under most environmental conditions. However when the ultimate in system reliability is required, thermal management must be considered as a prime system design goal.

Modern plastic package assembly technology utilizes gold wire bonded to aluminum bonding pads throughout the electronics industry. When exposed to high temperatures for protracted periods of time an intermetallic compound can form in the bond area resulting in high impedance contacts and degradation of device performance. Since the formation of intermetallic compounds is directly related to device junction temperature, it is incumbent on the designer to determine that the device junction temperatures are consistent with system reliability goals.

Predicting Bond Failure Time:

Based on the results of almost ten (10) years of +125°C operating life testing, a special arrhenius equation has been developed to show the relationship between junction temperature and reliability.

$$\text{Eq. (1) } T = (6.376 \times 10^9) e^{\left[\frac{11554.267}{273.15 + T_J} \right]}$$

Where: T = Time in hours to 0.1% bond failure
(1 failure per 1,000 bonds).

T_J = Device junction temperature, °C.

And:

$$\text{Eq. (2) } T_J = T_A + P_D \theta_{JA} = T_A + \Delta T_J$$

Where: T_J = Device junction temperature, °C.

T_A = Ambient temperature, °C.

P_D = Device power dissipation in watts.

θ_{JA} = Device thermal resistance, junction to air,
°C/Watt.

ΔT_J = Increase in junction temperature due to
on-chip power dissipation.

Table 13 shows the relationship between junction temperature, and continuous operating time to 0.1% bond failure, (1 failure per 1,000 bonds).

Table 13. Device Junction Temperature versus Time to 0.1% Bond Failures

Junction Temperature °C	Time, Hours	Time, Years
80	1,032,200	117.8
90	419,300	47.9
100	178,700	20.4
110	79,600	9.4
120	37,000	4.2
130	17,800	2.0
140	8,900	1.0

Table 13 is graphically illustrated in Figure 89 which shows that the reliability for plastic and ceramic devices are the same until elevated junction temperatures induces intermetallic failures in plastic devices. Early and mid-life failure rates of plastic devices are not effected by this intermetallic mechanism.

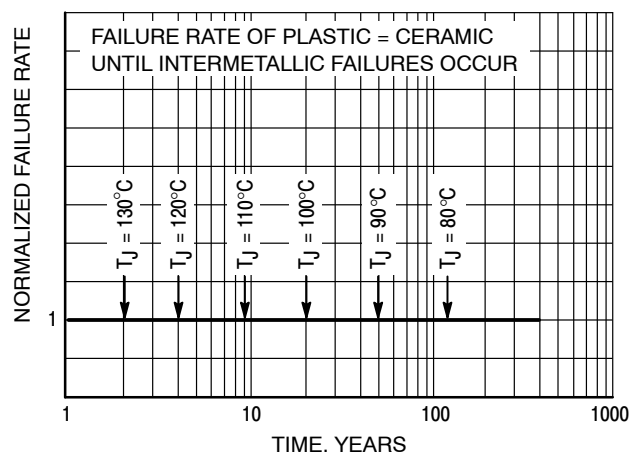


Figure 91. Failure Rate versus Time Junction Temperature

Procedure

After the desired system failure rate has been established for failure mechanisms other than intermetallics, each device in the system should be evaluated for maximum junction temperature. Knowing the maximum junction temperature, refer to Table 13 or Equation 1 to determine the continuous operating time required to 0.1% bond failures due to intermetallic formation. At this time, system reliability departs from the desired value as indicated in Figure 89.

Air flow is one method of thermal management which should be considered for system longevity. Other commonly used methods include heat sinks for higher powered devices, refrigerated air flow and lower density board stuffing. Since $\bar{\theta}_{CA}$ is entirely dependent on the application, it is the responsibility of the designer to determine its value. This can be achieved by various techniques including simulation, modeling, actual measurement, etc.

The material presented here emphasizes the need to consider thermal management as an integral part of system design and also the tools to determine if the management methods being considered are adequate to produce the desired system reliability.

SOLDERRM

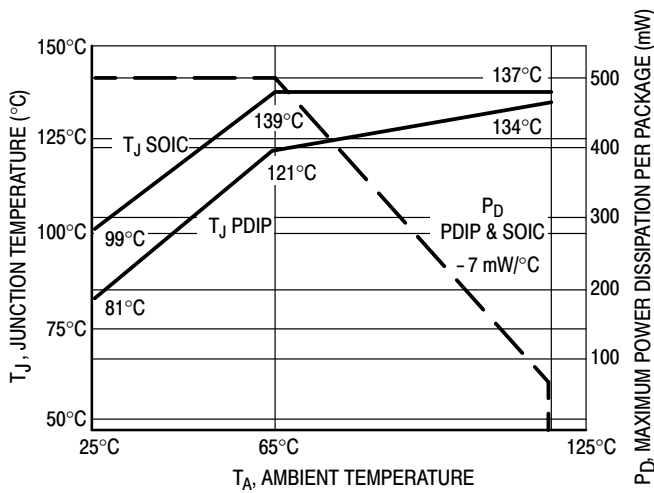


Figure 92. Junction Temperature for Worst Case CMOS Logic Device

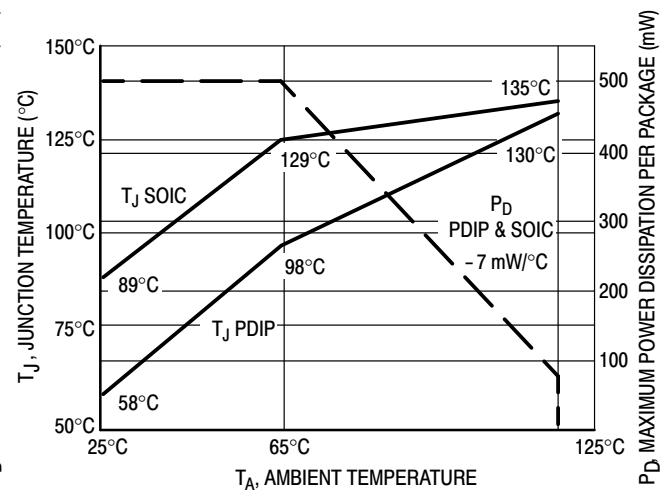


Figure 93. Junction Temperature for Typical CMOS Logic Device

This graph illustrates junction temperature for the worst case CMOS Logic device (MC14007UB) — smallest die area operating at maximum power dissipation limit in still air. The solid line indicates the junction temperature, T_J , in a Dual-In-Line (PDIP) package and in a Small Outline IC (SOIC) package versus ambient temperature, T_A . The dotted line indicates maximum allowable power dissipation derated over the ambient temperature range, 25°C to 125°C.

This graph illustrates junction temperature for a CMOS Logic device (MC14053B) — average die area operating at maximum power dissipation limit in still air. The solid line indicates the junction temperature, T_J , in a Dual-In-Line (PDIP) package and in a Small Outline IC (SOIC) package versus ambient temperature, T_A . The dotted line indicates maximum allowable power dissipation derated over the ambient temperature range, 25°C to 125°C.

STATISTICAL PROCESS CONTROL

onsemi is continually pursuing new ways to improve product quality. Initial design improvement is one method that can be used to produce a superior product. Equally important to outgoing product quality is the ability to produce product that consistently conforms to specification. Process variability is the basic enemy of semiconductor manufacturing since it leads to product variability. Used in all phases of **onsemi**'s product manufacturing, STATISTICAL PROCESS CONTROL (SPC) replaces variability with predictability. The traditional philosophy in the semiconductor industry has been adherence to the data sheet specification. Using SPC methods ensures that the product will meet specific process requirements throughout the manufacturing cycle. The emphasis is on defect prevention, not detection. Predictability through SPC methods requires the manufacturing culture to focus on constant and permanent improvements. Usually, these improvements cannot be bought with state-of-the-art equipment or automated factories. With quality in design, process, and material selection, coupled with manufacturing predictability, **onsemi** can produce world class products.

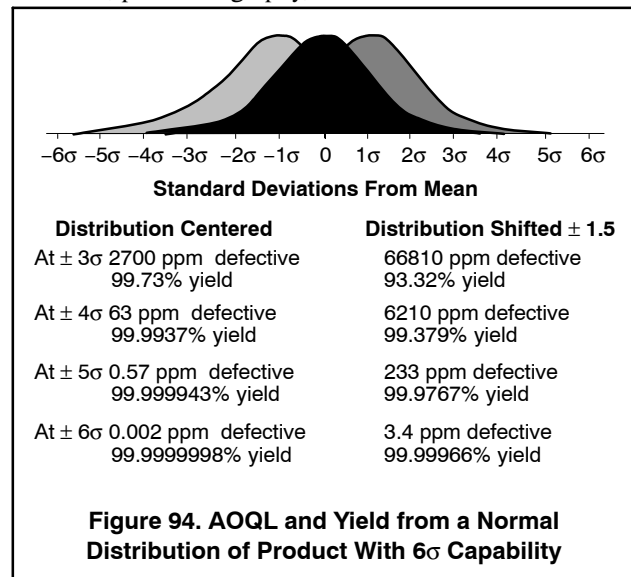
The immediate effect of SPC manufacturing is predictability through process controls. Product centered and distributed well within the product specification benefits **onsemi** with fewer rejects, improved yields, and lower cost. The direct benefit to **onsemi**'s customers includes better incoming quality levels, less inspection time, and ship-to-stock capability. Circuit performance is often dependent on the cumulative effect of component variability. Tightly controlled component distributions give the customer greater circuit predictability. Many customers are also converting to just-in-time (JIT) delivery programs. These programs require improvements in cycle time and yield predictability achievable only through SPC techniques. The benefit derived from SPC helps the manufacturer meet the customer's expectations of higher quality and lower cost product.

Ultimately, **onsemi** will have Six Sigma capability on all products. This means parametric distributions will be centered within the specification limits, with a product distribution of plus or minus Six Sigma about mean. Six Sigma capability, shown graphically in Figure 94, details the benefit in terms of yield and outgoing quality levels. This compares a centered distribution versus a 1.5 sigma worst case distribution shift.

New product development at **onsemi** requires more robust design features that make them less sensitive to minor variations in processing. These features make the implementation of SPC much easier.

A complete commitment to SPC is present throughout **onsemi**. All managers, engineers, production operators, supervisors, and maintenance personnel have received multiple training courses on SPC techniques. Manufacturing has identified 22 wafer processing and 8

assembly steps considered critical to the processing of semiconductor products. Processes controlled by SPC methods that have shown significant improvement are in the diffusion, photolithography, and metallization areas.



To better understand SPC principles, brief explanations have been provided. These cover process capability, implementation, and use.

PROCESS CAPABILITY

One goal of SPC is to ensure a process is **CAPABLE**. Process capability is the measurement of a process to produce products consistently to specification requirements. The purpose of a process capability study is to separate the inherent **RANDOM VARIABILITY** from **ASSIGNABLE CAUSES**. Once completed, steps are taken to identify and eliminate the most significant assignable causes. Random variability is generally present in the system and does not fluctuate. Sometimes, the random variability is due to basic limitations associated with the machinery, materials, personnel skills, or manufacturing methods. Assignable cause inconsistencies relate to time variations in yield, performance, or reliability.

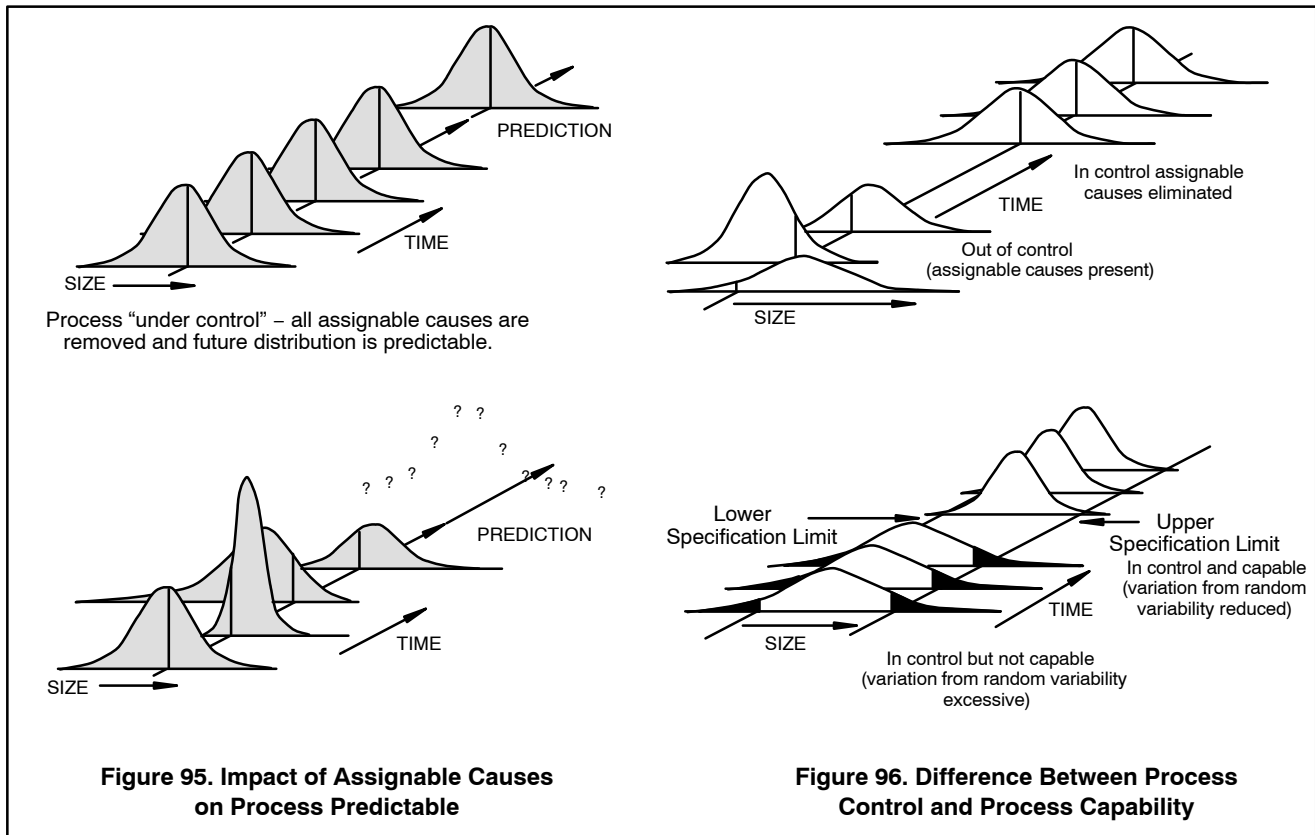
Traditionally, assignable causes appear to be random due to the lack of close examination or analysis. Figure 95 shows the impact on predictability that assignable cause can have. Figure 96 shows the difference between process control and process capability.

A process capability study involves taking periodic samples from the process under controlled conditions. The performance characteristics of these samples are charted against time. In time, assignable causes can be identified and engineered out. Careful documentation of the process is the key to accurate diagnosis and successful removal of the assignable causes. Sometimes, the assignable causes will remain unclear, requiring prolonged experimentation.

SOLDERRM

Elements which measure process variation control and capability are C_p and C_{pk} , respectively. C_p is the specification width divided by the process width or $C_p = (\text{specification width}) / 6\sigma$. C_{pk} is the absolute value of the

closest specification value to the mean, minus the mean, divided by half the process width or $C_{pk} = |\text{closest specification} - \bar{x}| / 3\sigma$.



At **onsemi**, for critical parameters, the process capability is acceptable with a $C_{pk} = 1.50$ with continual improvement our goal. The desired process capability is a $C_{pk} = 2$ and the ideal is a $C_{pk} = 5$. C_{pk} , by definition, shows where the current production process fits with relationship to the specification limits. Off center distributions or excessive process variability will result in less than optimum conditions.

SPC IMPLEMENTATION AND USE

CPSTG uses many parameters that show conformance to specification. Some parameters are sensitive to process variations while others remain constant for a given product line. Often, specific parameters are influenced when changes to other parameters occur. It is both impractical and unnecessary to monitor all parameters using SPC methods. Only critical parameters that are sensitive to process variability are chosen for SPC monitoring. The process steps affecting these critical parameters must be identified as well. It is equally important to find a measurement in these process steps that correlates with product performance. This measurement is called a critical process parameter.

Once the critical process parameters are selected, a sample plan must be determined. The samples used for

measurement are organized into **RATIONAL SUBGROUPS** of approximately two to five pieces. The subgroup size should be such that variation among the samples within the subgroup remain small. All samples must come from the same source e.g., the same mold press operator, etc. Subgroup data should be collected at appropriate time intervals to detect variations in the process. As the process begins to show improved stability, the interval may be increased. The data collected must be carefully documented and maintained for later correlation. Examples of common documentation entries are operator, machine, time, settings, product type, etc.

Once the plan is established, data collection may begin. The data collected with generate \bar{X} and R values that are plotted with respect to time. \bar{X} refers to the mean of the values within a given subgroup, while R is the range or greatest value minus least value. When approximately 20 or more \bar{X} and R values have been generated, the average of these values is computed as follows:

$$\bar{X} = (\bar{X}_1 + \bar{X}_2 + \bar{X}_3 + \dots) / K$$

$$\bar{R} = (R_1 + R_2 + R_3 + \dots) / K$$

where K = the number of subgroups measured.

The values of \bar{X} and \bar{R} are used to create the process control chart. Control charts are the primary SPC tool used to signal a problem. Shown in Figure 97, process control charts show \bar{X} and R values with respect to time and concerning reference to upper and lower control limit values. Control limits are computed as follows:

$$R \text{ upper control limit} = UCL_R = D4 \bar{R}$$

$$R \text{ lower control limit} = LCL_R = D3 \bar{R}$$

$$\bar{X} \text{ upper control limit} = UCL_{\bar{X}} = \bar{X} + A2 \bar{R}$$

$$\bar{X} \text{ lower control limit} = LCL_{\bar{X}} = \bar{X} - A2 \bar{R}$$

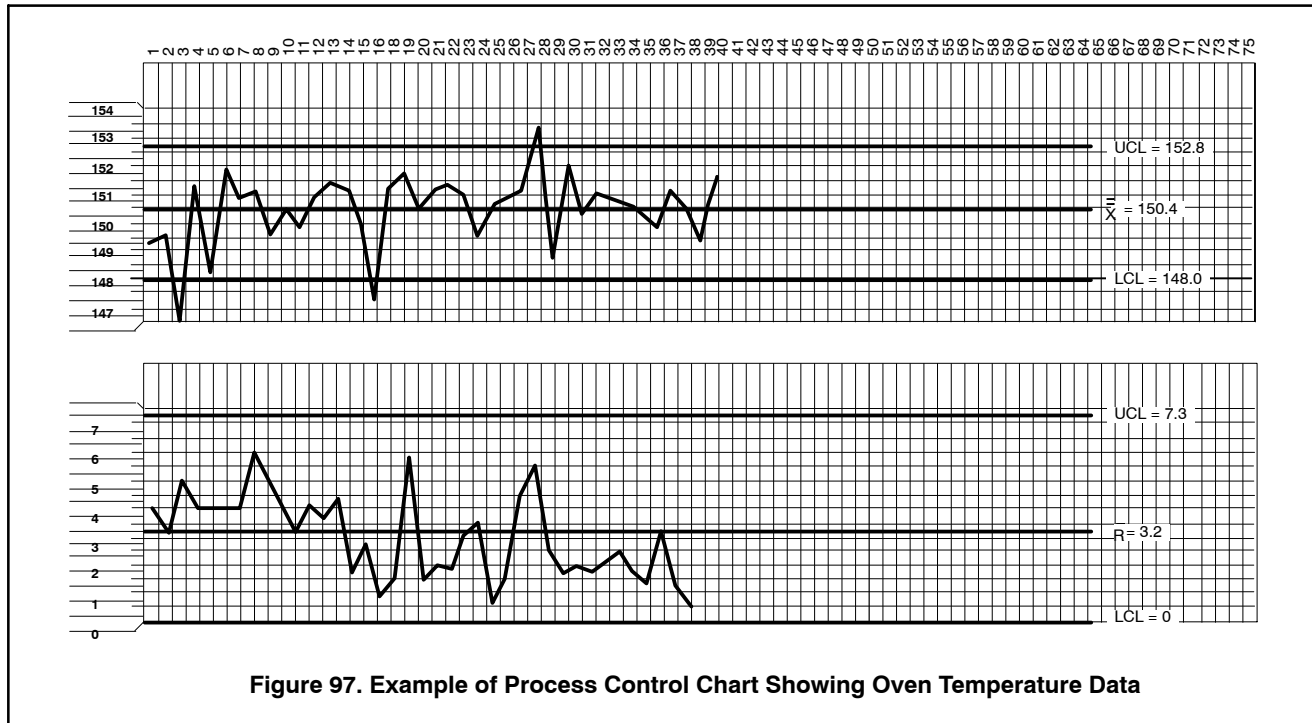


Figure 97. Example of Process Control Chart Showing Oven Temperature Data

Where $D4$, $D3$, and $A2$ are constants varying by sample size, with values for sample sizes from 2 to 10 shown in the following partial table:

n	2	3	4	5	6	7	8	9	10
D_4	3.27	2.57	2.28	2.11	2.00	1.92	1.86	1.82	1.78
D_3	*	*	*	*	*	0.8	0.14	0.18	0.22
A_2	1.88	1.02	0.73	0.58	0.48	0.42	0.37	0.34	0.31

*For sample sizes below 7, the LCL_R would technically be a negative number; in those cases there is no lower control limit; this means that for a subgroup size 6, six "identical" measurements would not be unreasonable.

Control charts are used to monitor the variability of critical process parameters. The R chart shows basic problems with piece to piece variability related to the process. The X chart can often identify changes in people, machines, methods, etc. The source of the variability can be difficult to find and may require experimental design techniques to identify assignable causes.

Some general rules have been established to help determine when a process is **OUT-OF-CONTROL**. Figure 98 shows a control chart subdivided into zones A, B, and C corresponding to 3 sigma, 2 sigma, and 1 sigma limits respectively. In Figures 99 through 102 four of the tests that can be used to identify excessive variability and the presence of assignable causes are shown. As familiarity with a given

process increases, more subtle tests may be employed successfully.

Once the variability is identified, the cause of the variability must be determined. Normally, only a few factors have a significant impact on the total variability of the process. The importance of correctly identifying these factors is stressed in the following example. Suppose a process variability depends on the variance of five factors A, B, C, D, and E. Each has a variance of 5, 3, 2, 1, and 0.4, respectively.

Since:

$$\sigma_{tot} = \sqrt{\sigma_A^2 + \sigma_B^2 + \sigma_C^2 + \sigma_D^2 + \sigma_E^2}$$

$$\sigma_{tot} = \sqrt{5^2 + 3^2 + 2^2 + 1^2 + (0.4)^2} = 6.3$$

If only D is identified and eliminated, then:

$$\sigma_{tot} = \sqrt{5^2 + 3^2 + 2^2 + (0.4)^2} = 6.2$$

This results in less than 2% total variability improvement.

If B, C, and D were eliminated, then:

$$\sigma_{tot} = \sqrt{5^2 + (0.4)^2} = 5.02$$

This gives a considerably better improvement of 23%. If only A is identified and reduced from 5 to 2, then:

$$\sigma_{tot} = \sqrt{2^2 + 3^2 + 2^2 + 1^2 + (0.4)^2} = 4.3$$

Identifying and improving the variability from 5 to 2 yields a total variability improvement of nearly 40%.

SOLDERRM

Most techniques may be employed to identify the primary assignable cause(s). Out-of-control conditions may be correlated to documented process changes. The product may be analyzed in detail using best versus worst part comparisons or Product Analysis Lab equipment. Multi-variance analysis can be used to determine the family of variation (positional, critical, or temporal). Lastly, experiments may be run to test theoretical or factorial analysis. Whatever method is used, assignable causes must be identified and eliminated in the most expeditious manner possible.

After assignable causes have been eliminated, new control limits are calculated to provide a more challenging variability criteria for the process. As yields and variability improve, it may become more difficult to detect improvements because they become much smaller. When all assignable causes have been eliminated and the points remain within control limits for 25 groups, the process is said to be in a state of control.

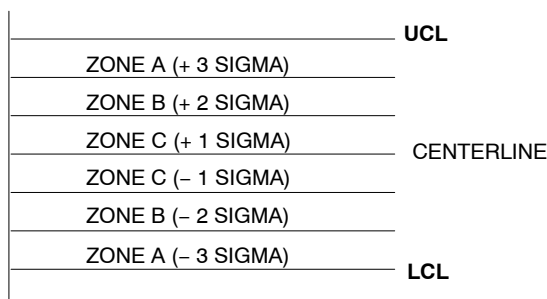


Figure 98. Control Chart Zones

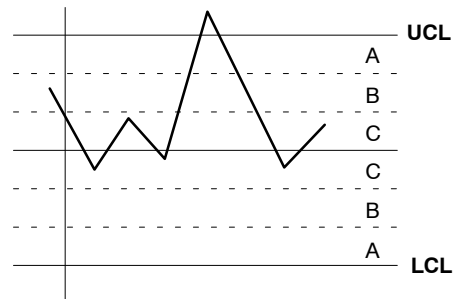


Figure 99. One Point Outside Control Limit Indicating Excessive Variability

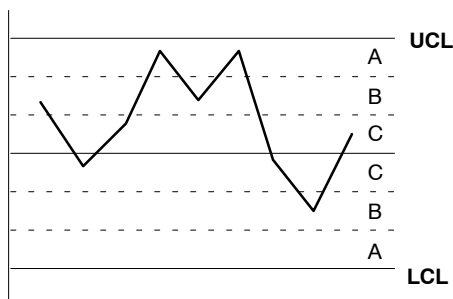


Figure 100. Two Out of Three Points in Zone A or Beyond Indicating Excessive Variability

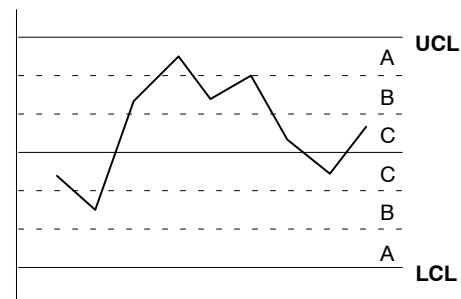


Figure 101. Four Out of Five Points in Zone B or Beyond Indicating Excessive Variability

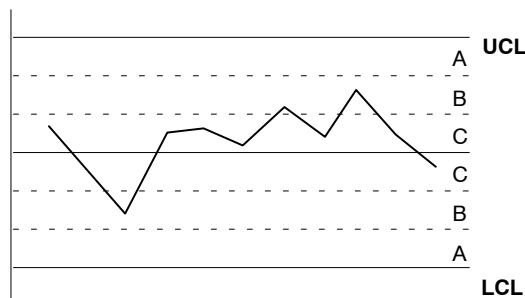


Figure 102. Seven Out of Eight Points in Zone C or Beyond Indicating Excessive Variability

SUMMARY

onsemi is committed to the use of STATISTICAL PROCESS CONTROLS. These principles, used throughout manufacturing have already resulted in many significant improvements to the processes. Continued dedication to the

SPC culture will allow **onsemi** to reach the Six Sigma and zero defect capability goals. SPC will further enhance the commitment to **TOTAL CUSTOMER SATISFACTION**.

Section 5

Device Rework / Removal

Device Rework/Removal

Objective

The objective of this information brief is to provide the customer with a general understanding of the basic methods and risks associated with second level (board level) rework and device removal of surface mount components. This information brief outlines the basic requirements for assembly handling and preparation with particular attention paid to moisture-induced failure modes known as “popcorning”.

For detailed specifics on rework and removal processes and procedures refer to IPC-7711A/7721A, Rework of Electronic Assemblies, and Repair and Modification of Printed Boards and Electronic Assemblies¹.

Introduction

The soldering of surface mount ICs on application boards is a well-established process in the microelectronics industry. One well-known issue during surface mount re-flow is the potential for structural damage to the product during high temperature excursions due to residual moisture present in the package (popcorning). The phenomenon and risks associated with popcorning have been understood for decades and have been minimized by proper implementation of product moisture level classifications and appropriate product handling. These tests and definitions are defined by the internationally accepted industry standards IPC/JEDEC J-STD-020, Moisture/Re-flow Moisture Sensitivity Classification for Non-hermetic Solid State Surface Mount Devices².

Background on Popcorn Failure Modes

The majority of electronic packaging today incorporates the use of polymer epoxies for various functions. Typical printed circuit boards (PCB) use a glass weave impregnated with an epoxy resin. Microelectronic packages use epoxy

¹ IPC-7711A/7721A, Rework of Electronic Assemblies, February 2002 and Repair and Modification of Printed Boards and Electronic Assemblies, April 2001.

² IPC/JEDEC J-STD-020C, Moisture/Re-flow Moisture Sensitivity Classification for Non-hermetic Solid State Surface Mount Devices, July 2004.

die attach material and a resin-based encapsulation material. It is known that nearly all polymers are transmissive to water in the vapor form. Generally polymer-based microelectronics devices will, when subjected to moisture, allow water vapors to penetrate and accumulate within the package. The moisture will reside within the bulk polymer and also at interfaces within the package (die to leadframe, leadframe to overmold, etc). Upon high temperature excursions, such as solder re-flow during board-level assembly, the moisture within these packages will rapidly expand and result in destructive forces within the package. These forces have the ability to cause catastrophic damage in the devices (see Figure 103). Possible failure modes that may occur due to excess moisture absorption and/or excess temperature:

At the IC level:

- Delamination / pop-corning
- Open contacts
- Damaged, broken or bended leads
- EOS damage
- Damaged or removed solder pads on BGAs

At the board level:

- Open contacts
 - EOS damage
 - Damaged or removed solder pads
 - Damaged or destroyed surrounding parts
 - Damaged or destroyed application board
- This damage can be made evident by various methods such as:
- External visual inspection for cracks and/or bulges in the package.
 - Acoustic scan for areas of interfacial delamination.
 - Cross-section through delaminated areas.
 - Electrical tests exhibiting open contacts.



Figure 103. BGA Cross Section Exhibiting Moisture Damage (Popcorning)

Background on MSL Levels

Standard IPC/JEDEC J-STD-020, Moisture/Re-flow Moisture Sensitivity Classification for Non-hermetic Solid State Surface Mount Devices, was developed to address proper product handling to minimize the potential for moisture-induced failures during customer assembly. In support of these IPC/JEDEC standards, AMIS has performed extensive testing across package platforms. The testing included:

- Moisture absorption/ desorption characterization
- Moisture sensitivity level testing (MSL)

Moisture absorption/desorption testing is performed to understand the dynamic characteristics of the polymer when exposed to moisture and/or heat. Moisture desorption curves are particularly important as they provide measurement data to ensure products are fully desorbed prior to dry pack and shipment. Desorption provides the customer with product free of entrapped moisture. Figure 104 gives a typical desorption curve of QFP 28x28. Above the 0.05 percent level a package is considered to be vulnerable to popcorning.

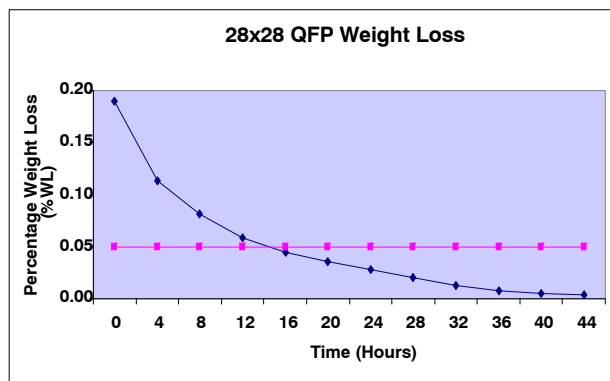


Figure 104. Weight Loss Profile Example

MSL levels are used to classify the sensitivity of a microelectronic package to moisture. Packages can be classified from level 1 (hermetic package) to level 6 (very sensitive). Note that Maximum Allowed Floor Life Before Soldering is the time from which the package has been

Table 16: Peak Temperature Capabilities, Pb-Free

Package Thickness (mm)	Volume (mm ³) >350	Volume (mm ³) 350 - 2000	Volume (mm ³) ≥2000
<1.6	260 + 0C	260 + 0C	260 + 0C
1.6 – 2.5	260 + 0C	250 + 0C	245 + 0C
≥2.5	250 + 0C	245 + 0C	245 + 0C

Product Rework/Removal Goalsⁱ

The product removal/rework process should be defined so as to minimize damage to the removed device, the replacement device and the surrounding components and board. Generally, the following guidelines are critical to successful rework/removal.

- Pre-auxiliary heat assembly and/or component if required.

exposed to ambient conditions. Knowledge of the appropriate MSL level of a package is crucial during second level solder re-flow, rework or part removal as the level dictates the duration that the package can be exposed to the atmosphere before being exposed to solder re-flow temperatures. Once this time limit expires, the package is at risk for catastrophic damage during any high temperature excursions. summarizes the different MSL levels as defined by JEDEC Standard J-STD-020ⁱⁱ.

Table 14: Moisture Sensitivity Levels by JEDEC

Level	Maximum Allowed Floor Life Before Soldering
1	Unlimited
2	1 year
2a	4 weeks
3	168 hours
4	72 hours
5	48 hours
5a	24 hours
6	Time on label

Product Maximum Temperature Capabilities

Table 2 and Table 3 summarize peak temperature capabilities based upon the product dimensions and whether the application will use lead-based or lead-free solder materialsⁱⁱ. For more details, reference IPC/JEDEC J-STD-020, Moisture/Reflow Moisture Sensitivity Classification for Non-hermetic Solid State Surface Mount Devices, July 2004.

Table 15: Peak Temperature Capabilities, SnPb Eutectic

Package Thickness (mm)	Volume (mm ³) >350	Volume (mm ³) ≥350
<2.5	240 + 0/-5C	225 + 0/-5C
≥2.5	225 + 0/-5C	225 + 0/-5C

- Evenly apply heat in a rapid, controllable fashion to achieve complete, simultaneous reflow of all solder joints.
- Avoid thermal and/or mechanical damage to component, board, adjacent components and their joints.

SOLDERRM

- Immediately remove component from board before any solder joint re-solidifies.
- Properly desorbing the components and assembly is critical to reduce the risk of moisture-induced failures.

Cleaningⁱⁱ

Surface contaminants can significantly affect soldering, bonding, coating, and the electrical characteristics of the assembly. All foreign materials like stickers or conformal coatings should be removed from the device prior to exposure to temperature. Any use of mechanical force should be avoided. The board manufacturer should be contacted for the optimum process to remove the conformal coating when applied and other foreign materials. Reference IPC771A/7721A, number 2.2 for details.

Coating Removalⁱⁱ

IPC771A/7721A, number 2.3 covers techniques for identifying various coatings so the appropriate removal technique can be selected. There are three removal methods outlined.

- Paragraph 2.3.2 is a procedure for coating removal using solvents
- Paragraph 2.3.3 outlines coating removal using a peel method typically used to remove silicone or rubbery coatings
- Paragraph 2.3.4 outlines a thermal removal
- Paragraph 2.3.5 outlines a grinding/scraping method
- Paragraph 2.3.6 outlines a microblasting method

Moisture Desorption

This is a very important step to ensure the board, surrounding components and the targeted components are not damaged in the rework/replacement process. Before the rework or removal can take place all residual moisture inherent in the assembly should be eliminated using a dry bake process. Although IPC771A/7721A provides little information on this process, minimal time temperature exposure can be empirically determined using weight-gain measurements. If this information is not available, a general rule of thumb is to perform a 24-hour bake at 125°C. Be aware that some parts on the application board may not be able to withstand the peak temperature of 125°C. These are parts like connectors, some capacitor types, coils, etc. Suppliers should be contacted to identify the maximum allowed temperatures for these components. In the event of potential damage at 125°C, an alternate lower temperature process is 96 hours at 50°C/10%RH.

Preheat/Auxiliary Heatⁱⁱ

Preheat is used when:

- There is a risk of thermal shock to the substrate, components or both
- The primary heating method cannot bring all of the solder joints completely up to the proper re-flow temperature at all, or in an acceptable time

Preheating is typically performed from the bottom side of the assembly by use of a controlled conduction heat plate, a controlled convection heat device or a system utilizing both.

Product Rework/Removal

Because of the complexity involved in physically reworking electronic assemblies, refer to IPC-7711A/7721A, Rework of Electronic Assemblies, and Repair and Modification of Printed Boards and Electronic Assemblies for details in methods. It is highly recommended that personnel performing rework be trained in the appropriate skills and knowledge to meet this IPC specification.

The following recommendations are provided:

- The use of a soldering iron should be avoided, as it is very difficult to maintain temperatures across all leads simultaneously.
- Maximum allowed time at peak temperature should not be exceeded.
- Use of vacuum pinchet is advised.
- Excessive mechanical force should be avoided.
- All actions should be taken to avoid ESD/EOS damage of the parts during the handling and rework/removal operation.

Storage

Because the application board will immediately begin to absorb moisture upon exposure to ambient conditions, the time between removal from the dry oven and the de-soldering should be kept as short as possible. If this exposure time cannot be limited to a few hours, it is advised that the board be stored in a dry nitrogen environment to prevent further absorption.

Lead-free Soldersⁱⁱ

Although similar to rework of lead-based solders, there are some significant differences when using lead-free solders that need to be noted:

- The new alloys will require more time and higher temperatures to re-flow adequately. This may increase oxidation.
- Because the melting points are higher, there may be the need for modified flux chemistry.
- Wetting times are longer.
- Standard solderability visual indicators will be different (wetting angles, joint appearance).

Shipping and Transport

Shipping and transport of parts within or outside the company is important. ESD/EOS precautions should be taken. It is advised to move the parts in boxes with anti-static foam to avoid ESD/EOS events and to avoid mechanical damage. Parts should not be allowed to come into contact with each other to avoid mechanical damage during transport.

Sales and Design Assistance

Worldwide Technical Support
www.onsemi.com/support

For a comprehensive listing of
onsemi Sales Offices, Distributors,
and Rep Firms, please visit:

Americas & EMEA: www.onsemi.com/sales

China: www.onsemi.cn/sales

Japan: www.onsemi.jp/sales



onsemi, ONSEMI, and other names, marks, and brands are registered and/or common law trademarks of Semiconductor Components Industries, LLC dba "onsemi" or its affiliates and/or subsidiaries in the United States and/or other countries. onsemi owns the rights to a number of patents, trademarks, copyrights, trade secrets, and other intellectual property. A listing of onsemi's product/patent coverage may be accessed at www.onsemi.com/site/pdf/Patent-Marking.pdf. onsemi reserves the right to make changes at any time to any products or information herein, without notice. The information herein is provided "as-is" and onsemi makes no warranty, representation or guarantee regarding the accuracy of the information, product features, availability, functionality, or suitability of its products for any particular purpose, nor does onsemi assume any liability arising out of the application or use of any product or circuit, and specifically disclaims any and all liability, including without limitation special, consequential or incidental damages. Buyer is responsible for its products and applications using onsemi products, including compliance with all laws, regulations and safety requirements or standards, regardless of any support or applications information provided by onsemi. "Typical" parameters which may be provided in onsemi data sheets and/or specifications can and do vary in different applications and actual performance may vary over time. All operating parameters, including "Typicals" must be validated for each customer application by customer's technical experts. onsemi does not convey any license under any of its intellectual property rights nor the rights of others. onsemi products are not designed, intended, or authorized for use as a critical component in life support systems or any FDA Class 3 medical devices or medical devices with a same or similar classification in a foreign jurisdiction or any devices intended for implantation in the human body. Should Buyer purchase or use onsemi products for any such unintended or unauthorized application, Buyer shall indemnify and hold onsemi and its officers, employees, subsidiaries, affiliates, and distributors harmless against all claims, costs, damages, and expenses, and reasonable attorney fees arising out of, directly or indirectly, any claim of personal injury or death associated with such unintended or unauthorized use, even if such claim alleges that onsemi was negligent regarding the design or manufacture of the part. onsemi is an Equal Opportunity/Affirmative Action Employer. This literature is subject to all applicable copyright laws and is not for resale in any manner.

ADDITIONAL INFORMATION

TECHNICAL PUBLICATIONS

Technical Library: www.onsemi.com/design/resources/technical-documentation
onsemi Website: www.onsemi.com

ONLINE SUPPORT: www.onsemi.com/support

For additional information, please contact your local Sales Representative at
www.onsemi.com/support/sales