

- C. You will have to locate a spot either under the seat or towards the back of the motorcycle where you can access the brake, tail, left turn, right turn, and ground wires.
- D. You will have to tap into the wiring of your motorcycle with the clips provided on the end of our first wiring harness. **Note: First harness has a gray converter box in it.**
- E. Our first harness wiring identification:
  - Green - Right turn
  - Brown - Tail
  - White - Ground
  - Red - Brake
  - Yellow - Left Turn

Once you have the first harness installed proceed to section 3.

## **SECTION 3**

### **F. VOYAGER CONNECTION**

Take the second Voyager wiring harness and connect to Voyager kit with tie wraps. Make sure to plug in first harness to second harness, turn power on and check pig tails for left and right.

### **G. Taillights - Tombstone or Beehive**

Install lights on fenders.  
Connect pigtails to lights.

1. Left side, attach ring terminal to ground.
2. Yellow wiring on pigtail to red wire of light.
3. Brown wire on pigtail to black wire of light.
4. Right side, white ground wire to light or ground.
5. Green wire of pigtail to red wire of light.
6. Brown wire of pigtail to black wire of light.

### **H. Taillights on Fiberglass Fenders**

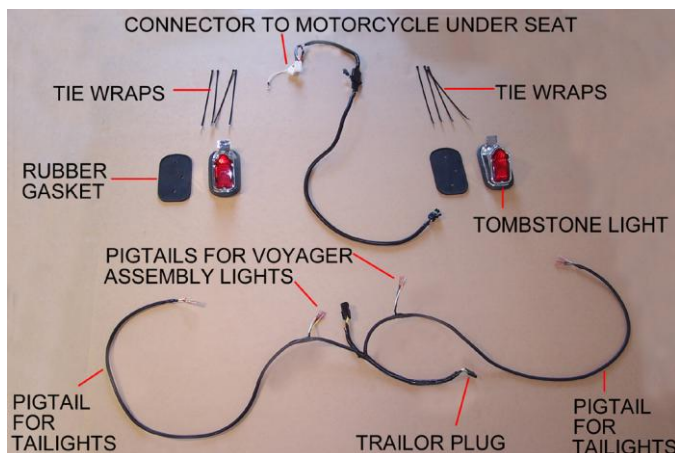
1. Left side, attach white ground wire to light or ground
2. Yellow wire of pigtail to red wire of light.
3. Brown wire of pigtail to green wire of light.
4. Right side; attach white ground wire to light or ground.
5. Green wire of pigtail to red wire of light.
6. Brown wire of pigtail to green wire of light.

### **I. Voyager Rear Assembly Wiring**

You will use the two inside pigtails of wiring harness for Voyager Rear Assembly.

1. Left side, attach white ground wire to light or ground.
2. Yellow wire of pigtail to red wire of light.
3. Brown wire of pigtail to green wire of light.
4. Right side; attach white ground wire to light or ground.
5. Green wire of pigtail to red wire of light.
6. Brown wire of pigtail to green wire of light.

## WIRING HARNESS DIRECTIONS



### **H-D WIRING – REFER TO SECTION 1 & 3** **UNIVERSAL WIRING – REFER TO SECTION 2 & 3**

The motorcycles today are equipped with on board computers, electronic sensors, and possible fuel injection. This is very high tech electronics, and very expensive to replace. If you do not have knowledge of the motorcycle electrical system, you should have the wiring harness installed on your motorcycle by a motorcycle dealer or an electrician.

## SECTION 1

### **WIRING HARNESS DIRECTIONS FOR H-D DRESSERS & SOFTAILS 1994, & 1997 AND UP, H-D SPORTSTERS 2000-2003**

#### **A. BIKE DISASSEMBLY**

1. Remove bolts for seat.
2. Remove any accessories, (back rest, etc.)
3. Remove seat.

#### **B. CONNECTION**

Disconnect the eight pin black rectangular connectors located under the seat. Connect mating half of connectors on Voyager wiring to both bike connectors. Attach ring terminal to a good ground bolt under seat as an extra ground. Secure wiring harness to frame with tie wraps. Run Voyager wiring harness toward the rear, just inside the support bar. Replace seat. Proceed to Section 3.

## SECTION 2

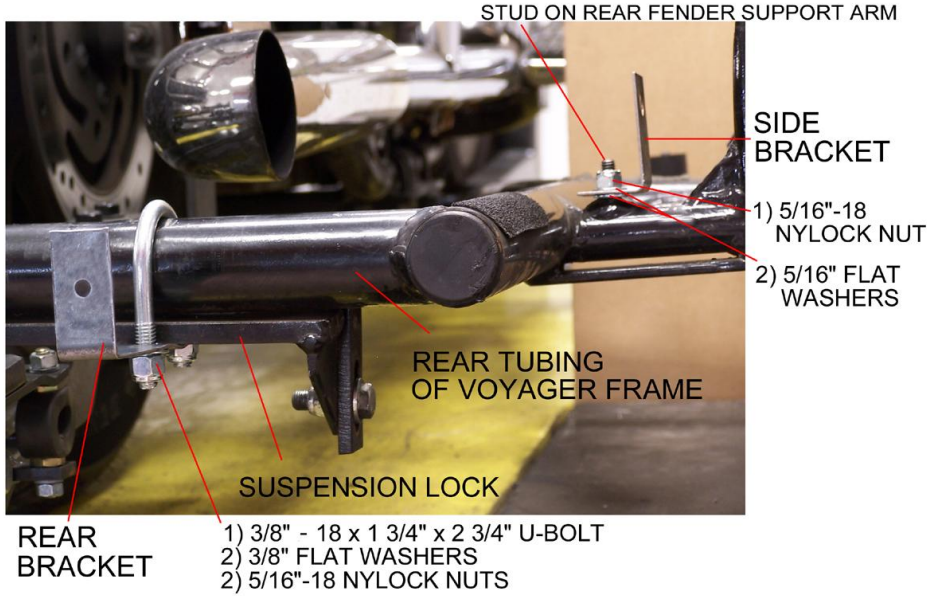
### **UNIVERSAL WIRING HARNESS DIRECTIONS FOR H-D DRESSERS & SOFTAILS 1993 & earlier, & 1995 & 1996 H-D SPORTSTERS 1999 & earlier, & 2004-2005 & ALL OTHER MOTORCYCLES**

#### **BEFORE YOU START - TOOLS YOU WILL NEED:**

1. 12 volt circuit tester
2. Wire stripper
3. Wire crimp

# SIDE BRACKET AND REAR BRACKET INSTALLATION FOR VOYAGER REAR ASSEMBLY

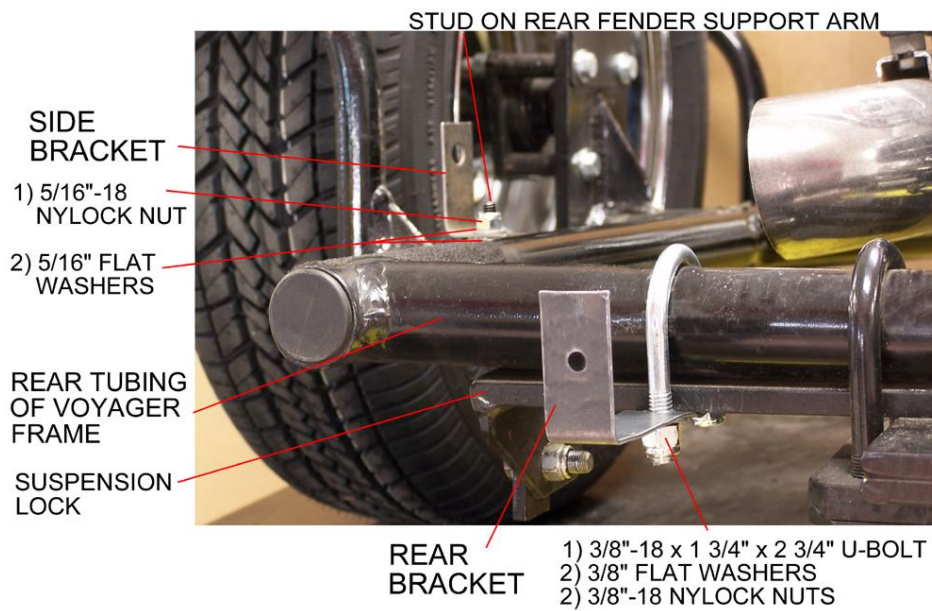
## SIDE BRACKET AND REAR BRACKET INSTALLATION



RIGHT SIDE

PICTURE THREE

## SIDE BRACKET AND REAR BRACKET INSTALLATION



LEFT SIDE

PICTURE FOUR

## PLACEMENT OF RUBBER SPACER ON STUDS OF VOYAGER REAR ASSEMBLY

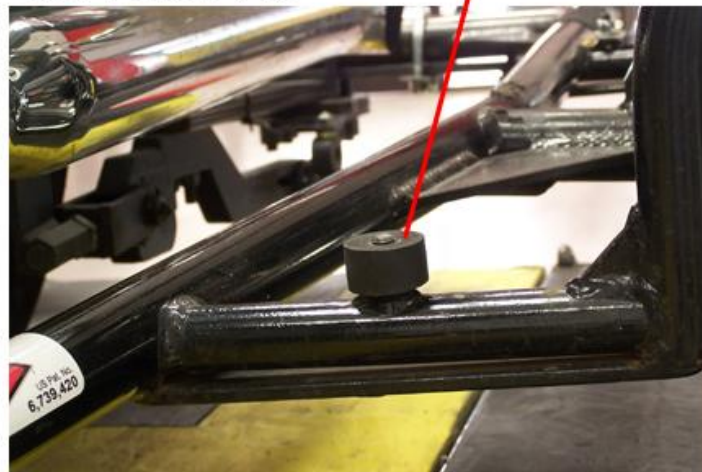
5/16" x 1 1/4" x 5/8" RUBBER SPACER  
OVER STUD ON FRONT FENDER  
SUPPORT ARM



RIGHT SIDE

PICTURE ONE

5/16" x 1 1/4" x 5/8" RUBBER SPACER  
OVER STUD ON FRONT FENDER  
SUPPORT ARM

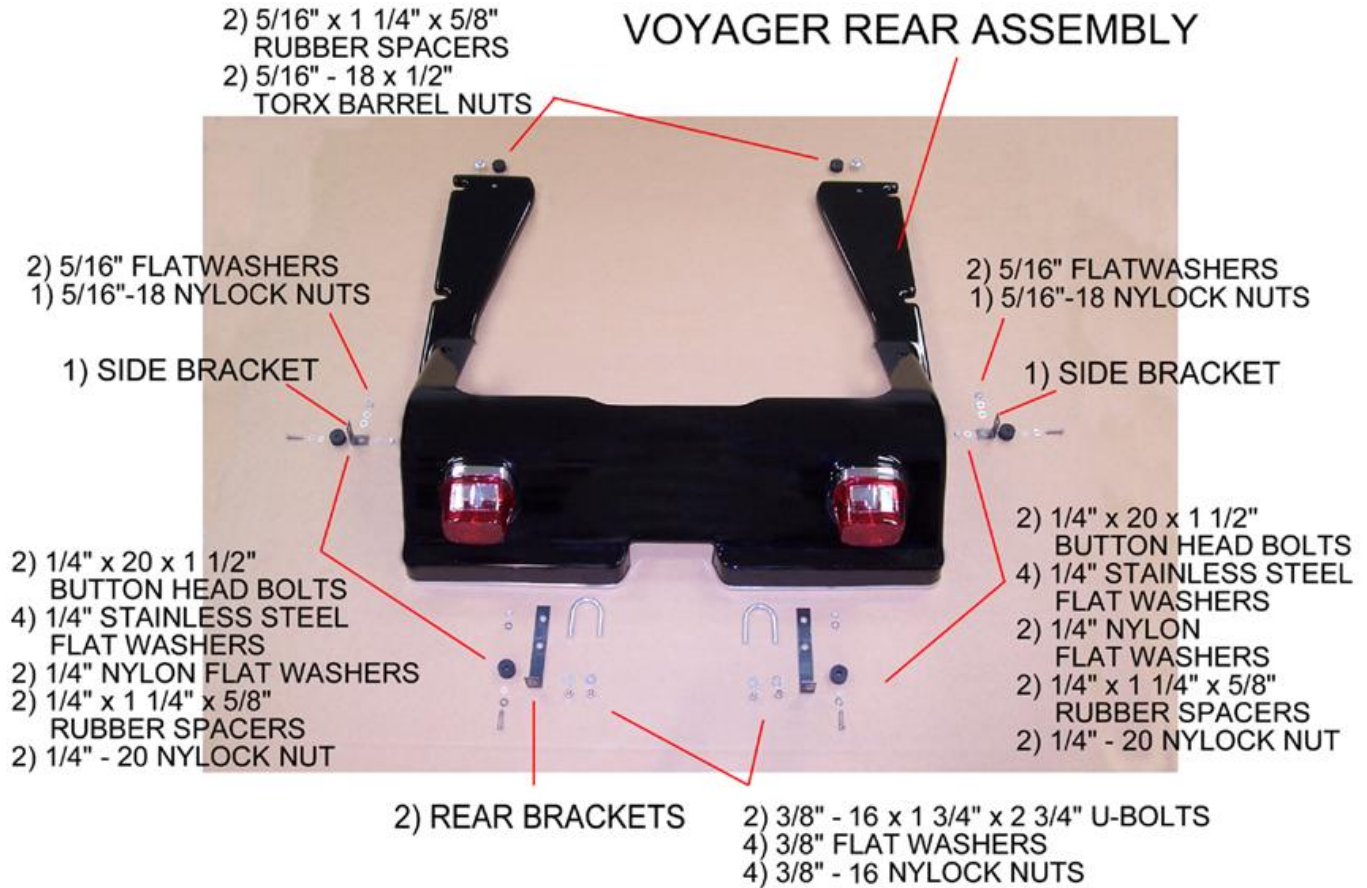


LEFT SIDE

PICTURE TWO



# VOYAGER REAR ASSEMBLY DESCRIPTION OF PARTS



9. Install rear bracket to right side of Voyager Rear Assembly. With u-bolt loose, slide bracket to line up with Voyager Rear Assembly hole. (Note: You may have to push up or down slightly on Voyager Rear Assembly to line it up) Attach rear bracket to Voyager Rear Assembly the same as with the side brackets.
  - a) First, with button head bolt in hand, slide on 1/4" stainless steel flat washer, then 1/4" nylon flat washer.
  - b) Slide bolt through Voyager Rear Assembly and then through rubber spacer 1/4" x 1 1/4" x 5/8" and then into rear bracket.
  - c) Attach bolt to bracket with 1/4"-20 nylock nut. (Do not tighten at this time.)
  
10. Install rear bracket to left side of Voyager Rear Assembly. With u-bolt loose, slide bracket to line up with Voyager Rear Assembly hole. (Note: You may have to push up or down slightly on Voyager Rear Assembly to line it up) Attach rear bracket to Voyager Rear Assembly the same as with the side brackets.
  - a) First, with button head bolt in hand, slide on 1/4" stainless steel flat washer, then 1/4" nylon flat washer.
  - b) Slide bolt through Voyager Rear Assembly and then through rubber spacer 1/4" x 1 1/4" x 5/8" and then into rear bracket.
  - c) Attach bolt to bracket with 1/4"-20 nylock nut. (Do not tighten at this time.)
  
11. Tighten all bolts & u-bolts at this time.
  
12. Mount fenders onto Voyager frame – refer to page 4 of manual for Voyager Convertible Kit for instructions.
  
13. Proceed to wiring harness directions pages 6 & 7 of Voyager Rear Assembly manual.

## INSTALLATION OF VOYAGER REAR ASSEMBLY

**NOTE: Install Voyager Rear Assembly with the fenders off of Voyager frame.**

1. Install 2) rubber spacers 5/16" x 1 1/4" x 5/8" over stud on front fender support arm on right side. (Shown in picture one on pg. 4)
2. Install 2) rubber spacers 5/16" x 1 1/4" x 5/8" over stud on front fender support arm on left side. (Shown in picture two on pg. 4)
3. Install Voyager Rear Assembly side bracket over stud on the rear fender support arm on the right side in this order – 1) 5/16" flat washer, side bracket (note: long side of bracket faces upward), 1) 5/16" flat washer, and 1) 5/16"-18 nylock nut. (Shown in picture three on pg. 5)
4. Install Voyager Rear Assembly side bracket over stud on the rear fender support arm on the left side in this order – 1) 5/16" flat washer, side bracket (note: long side of bracket faces upward), 1) 5/16" flat washer, and 1) 5/16"-18 nylock nut. (Shown in picture four on pg. 5)
5. Install the Voyager Rear Assembly rear brackets on the rear tubing of Voyager frame. Place 2) 3/8"-16 x 1 3/4" x 2 3/4" u-bolts over rear tubing of Voyager frame. Attach rear brackets to u-bolts using 2) 3/8" flat washers & 2) 3/8"-16 nylock nuts. (Do not tighten at this time) (Shown in pictures three and four on pg.5)
6. Install Voyager Rear Assembly onto the frame of Voyager. Make sure front holes of Voyager Rear Assembly go over front fender support arm studs. Using 2) 5/16" x 18 x 1/2" Torx barrel nuts attach Voyager Rear Assembly to front studs.
7. Install side bracket to right side of the Voyager Rear Assembly. (Note: It is important that you install the bolts, washers, & nuts correctly.)
  - a. First, with button head bolt in hand, slide on 1/4" stainless steel flat washer, then 1/4" nylon flat washer.
  - b. Slide bolt through Voyager Rear Assembly and then through rubber spacer 1/4" x 1 1/4" x 5/8" and then into side bracket.
  - c. Attach bolt to bracket with 1/4"-20 nylock nut. (Do not tighten at this time.)
8. Install side bracket to left side of the Voyager Rear Assembly. Same as step 5.
  - a. First, with button head bolt in hand, slide on 1/4" stainless steel flat washer, then 1/4" nylon flat washer.
  - b. Slide bolt through Voyager Rear Assembly and then through rubber spacer 1/4" x 1 1/4" x 5/8" and then into side bracket.
  - c. Attach bolt to bracket with 1/4"-20 nylock nut. (Do not tighten at this time.)

## VOYAGER REAR ASSEMBLY

ATTENTION:

The Voyager Rear Assembly is designed for a stock Harley-Davidson motorcycle. Any after market parts may affect the fit of the Voyager Rear Assembly to the Voyager Kit.

For metric motorcycles, the Voyager Rear Assembly inside edges may have to be trimmed back to accommodate fenders, saddle bags, and/or mufflers.

(For motorcycles that we have installed a Voyager Rear Assembly on and know where it needs to be trimmed we will trim it before shipping out.)

You may want to take the Voyager Rear Assembly to a body shop that knows how to work with fiberglass to do the trimming.





MOTORCYCLE TOUR CONVERSION, INC.  
1530 TITANIUM DR  
OTTAWA, IL. 61350

TOLL FREE: 877-434-7901  
FAX: 815-434-8980

## VOYAGER REAR ASSEMBLY



INSTALLATION MANUAL  
US PATENT # 6,739,420  
FOR VOYAGER CONVERTIBLE KIT

**WARRANTY WILL BE VOID IF INSTALLATION  
IS NOT DONE PROPERLY**

**READ THIS MANUAL FULLY BEFORE  
BEGINNING INSTALLATION OR DRIVING YOUR  
MOTORCYCLE WITH THE VOYAGER KIT ATTACHED**